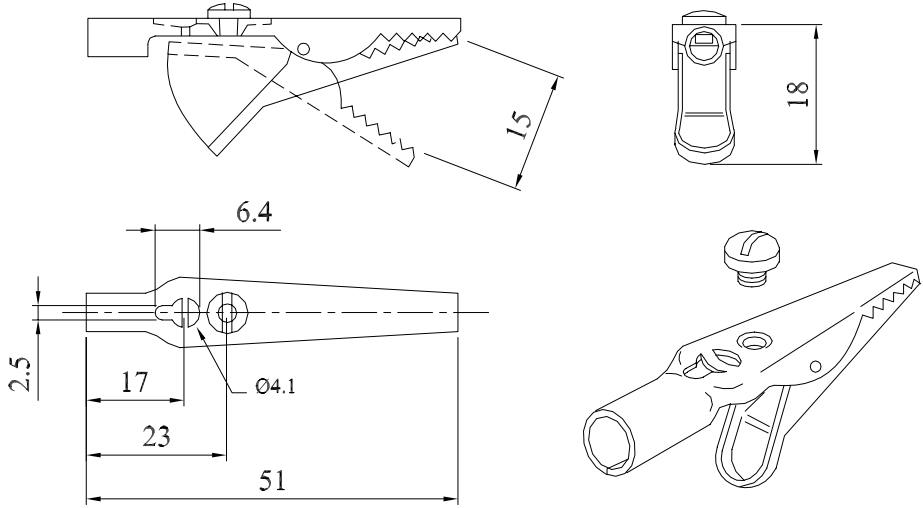


General purpose crocodile clip, manufactured from nickel plated steel. This product has been engineered to allow fine wires to be held securely by an undercut turned brass clamping screw. There is a rear entry that will accept 4mm plugs.

MATERIAL
CLIP Mild Steel,
nickel plated
SCREW Brass,
BS 2874 CZ121

Current Rating 5 Amps

Dimensions



CONVERTED FROM PS0286 ISS3 (04.04.96) IN JAN 2003

DrgNo 303-0000		TITLE CROCODILE CLIP			ALL DIMENSIONS IN MM ANGLES IN DECIMAL DEGREES		
DELTRON Components	ISSUE 1	GENERAL SPECIFICATION FOR 303-0000		CUSTOMER	FILTER REF		
		Aprvd Date 10/02/03	Aprvd By MC	Drwn by BFS	Scale: NTS	Sheet 1 / 1	
© Deltron Emcon Limited E-Mail components@deltron-emcon.com, Website www.deltron-emcon.com. Phone +44 1724 273200 Fax +44 1724 270230							DELTRON Emcon