

AdaptaBeacon® Light Duty Strobe

PLC Compatible

92PLC Series

FEATURES

- > Circuit designed for programmable logic control
- > Optically designed fresnel lens
- > Cast base may be used as a junction box
- > Immune to shock and vibration
- > Single and double flash models

AGENCY APPROVALS

- > UL 1638 Listed
- > cUL Listed

The Edwards 92PLC AdaptaBeacon signals are general purpose visual signaling appliances suitable for indoor or outdoor use. The strobe is electrically isolated from leakage current to prevent false flashes and has been designed for PLC applications. The unit also installs easily without having to add drop resistors to the PLC output card.

The unit features a corrosion resistant, heat flowed epoxy finish base. Designed for indoor or outdoor installation. May be direct, 1/2" (13mm) conduit, or box mounted on a 4" (102mm) octagon box. For weatherproof installation, units must be mounted vertically with lens facing up.

Edwards flashing lights are particularly effective in high noise level areas, especially where ear protection must be worn and audible signals may not be heard or may be misunderstood. They can advise personnel in manufacturing and process control areas when an operation is starting or stopping.

D-04

3-40

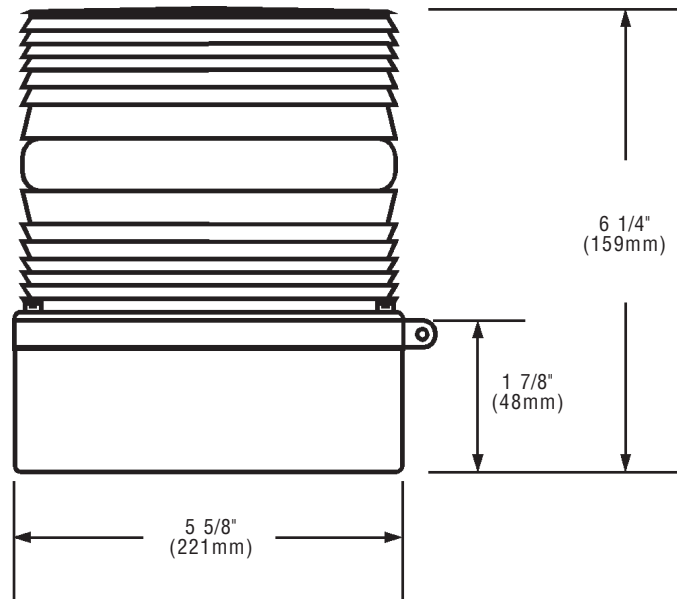
90 Fieldstone Court | Cheshire, CT 06410
 Ph: 203.699.3300 | Fx: 203.699.3108
www.edwards-signals.com



© Copyright 2004 Edwards



TECHNICAL INFORMATION



Cat. No.	Type	Lens Color	Replacement Lens	Electrical Ratings	Replacement Strobe Tube	Peak Candlepower	Strobe Tube Life*
92PLCR-N5	Single	Red	V93-LR	120V 50/60 Hz	92-LST	1,400,000	5,000 hr.
92PLCA-N5	Flash	Amber	V93-LA	0.1 Amps	1,400,000 cd**		
92PLCB-N5		Blue	V93-LB				
92PLCG-N5		Green	V93-LG				
92PLCM-N5		Magenta	V93-LM				
92PLCC-N5		Clear	V93-LC				
92PLC-DFR-N5	Double	Red	V93-LR	120V 50/60 Hz	92-ST	800,000	3,000 hr.
92PLC-DFA-N5	Flash	Amber	V93-LA	0.1 Amps	800,000 cd**		
92PLC-DFB-N5		Blue	V93-LB				
92PLC-DFG-N5		Green	V93-LG				
92PLC-DFM-N5		Magenta	V93-LM				
92PLC-DFC-N5		Clear	V93-LC				

*Calculated strobe tube life at operating power to 75% efficiency.

SIGNAL INPUT LOAD CHARACTERISTICS*

Cat. No.	Operating Voltage	Max. off state leakage current (mA)	Continuous on Current (mA)	Surge (inrush/duration) Amps/milliseconds
92PLC(-)-N5	120V AC 60 Hz	5	100	20/075
92PLC-DF(-)-N5	120V AC 60 Hz	5	100	20/075

*This device is PLC compatible and may be operated by PLCs with output characteristics that match the input load requirements of this signal.