

Blinking Beacon 827

(provisional technical data sheet)

WERMA Signaltechnik
GmbH + Co.
Dürbheimer Straße 15
D-78604 Rietheim-Weilheim
Phone 0049/7424/9557-0
Fax 0049/7424/9557-44

Electrical specifications:

Operating voltage: U_{nenn} = see table
Bulb: max.25 W
Blink frequency: min. 1.5 Hz,
pulse-duty factor 1:1
Current consumption: depends on the bulb
installed
Current at make: 2 / 3 A / 24 V DC/AC
550mA / 115AC
330mA / 230VAC
with 25 W Bulb

Order-No.:

827 x 00 75	Blinking beacon	24 V ~/-
827 x 00 77	Blinking beacon	115 V ~/-
827 x 00 78	Blinking beacon	230 V ~/-

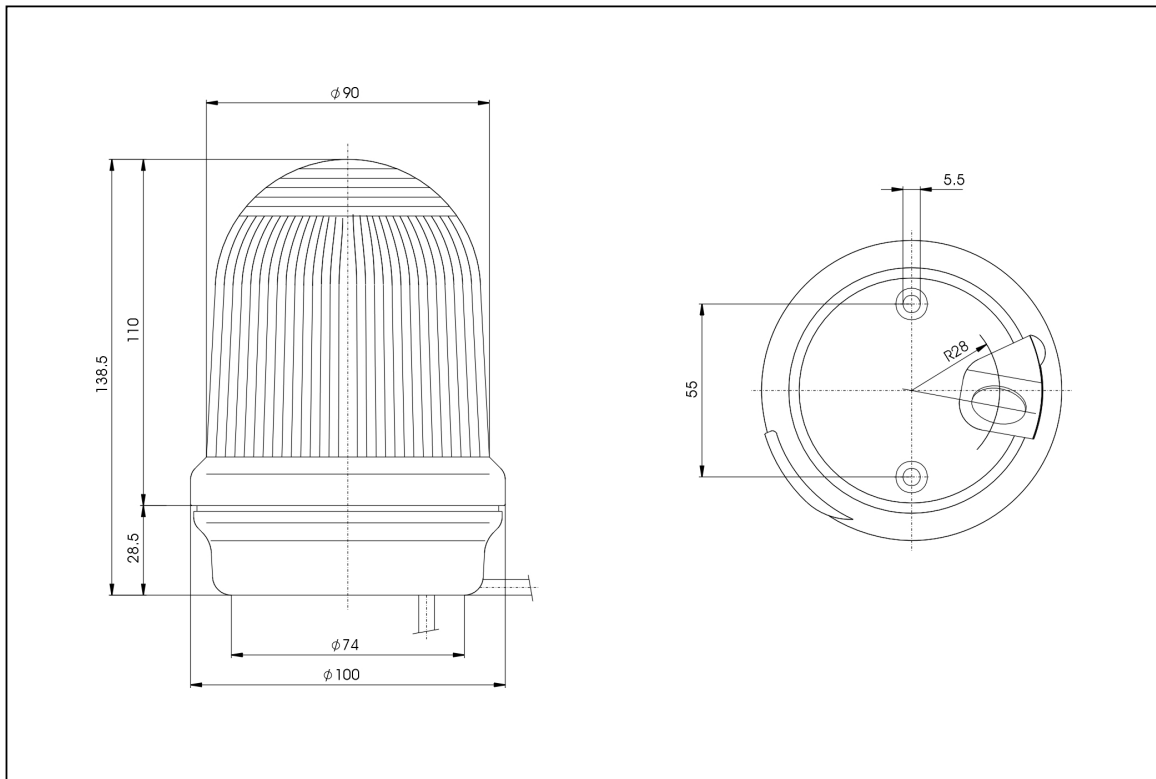
X 1 = red 2 = green 3 = yellow 4 = clear 5 = blue

Further specifications:

Housing material: PC / ABS
Cap material: PC
Terminal: screw free spring
loaded clamp
0,75mm² - 1,5mm²
approx. 220 g
Weight:
Working temperature: -20°C bis +50°C
Lamp socket: B15d
Protection rating: IP 65

Regulations: Conform to current
EC-regulations.

All specifications refer to U_{nenn} and room temperature!



	Drawn up	proved	released	Data-sheet-No.
Name	E. Rudischhauser	R. Isenmann	H. Elsäßer	000 827 501
Date	2001-11-05	2001-11-05	2001-11-05	Page 1 of 1