



# Installation Beacon Permanent Light 800

(provisional technical data sheet)

WERMA Signaltechnik  
GmbH + Co.  
Dürbheimer Straße 15  
D-78604 Rietheim-Weilheim  
Phone 0049/7424/9557-0  
Fax 0049/7424/9557-44

### Electrical specifications:

Operating voltage: Unenn = 250V max.

Bulb: 7 W max.

Working life: Depends on bulb

Connection: Clamb, M3,  
≤ 2,5 mm<sup>2</sup>, ≤ 0,5 Nm,  
AWG 18 to AWG 14

### Order No.:

800 X00 00 Installation beacon, permanent  
light

X 1 = red 2 = green 3 = yellow 4 = clear 5 = blue

### Mechanical specifications:

Material:

- Cap: Polycarbonate
- Bottom part: PC-blend/ABS, black
- Socket: PA GF - black

Bulb socket: B15d (bayonet) see data  
sheet No. 000 815 501

### Further specifications:

Weight: Approx. 59g

Operating  
temperature: ta -20°C up to +50°C

Protection degree: IP65 when mounted

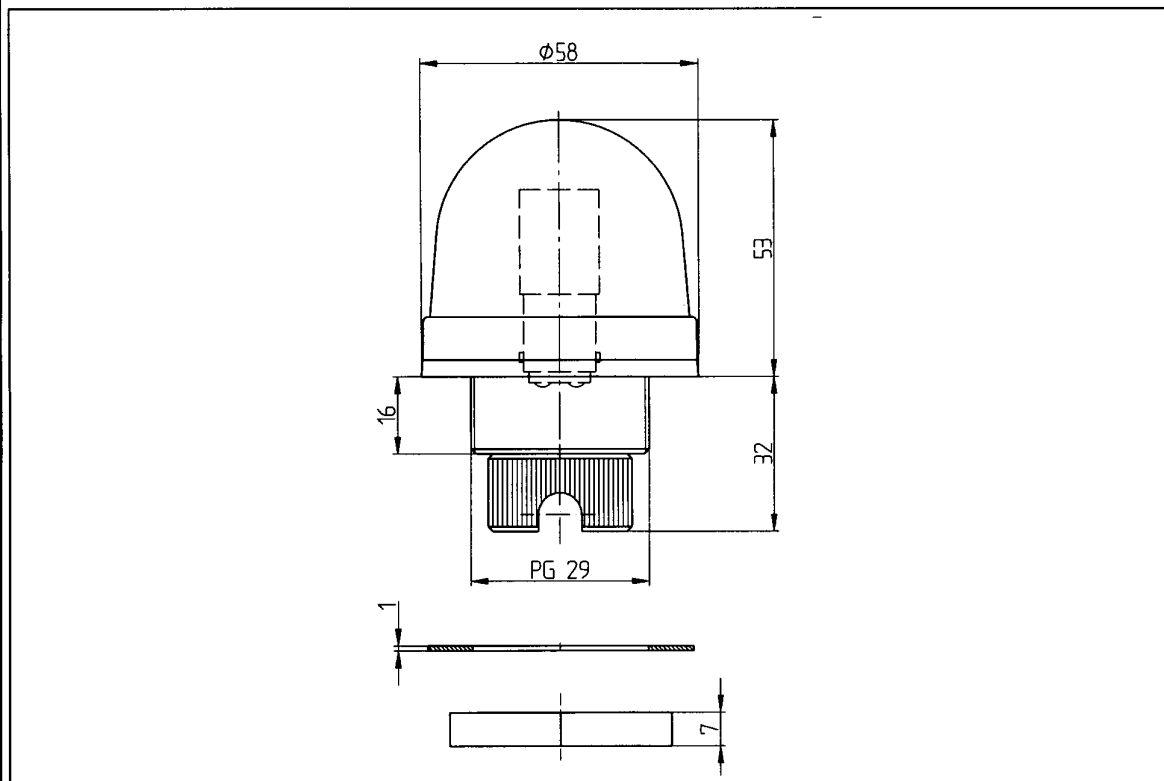
Cable outlet: Radial or axial

Strain relief: Metal strap

Mounting hole: Ø 37mm (PG29)

Regulations: Conform to current EC-  
Regulations.

All specifications refer to Unenn and room temperature!



	Drawn up	proved	released	Data-sheet-No.
Name	E. Rudischhauser	<i>[Signature]</i>	<i>[Signature]</i>	000 800 501
Date	2001-09-27	2001-05-27	2001-10-04	Page 1 of 1