

ROTATING BEACONS

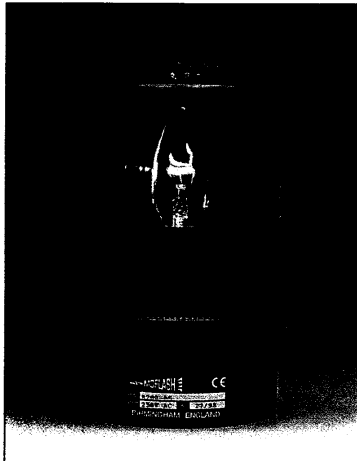
Luci Rotanti

Feux Tournants

Rundumkennleuchten

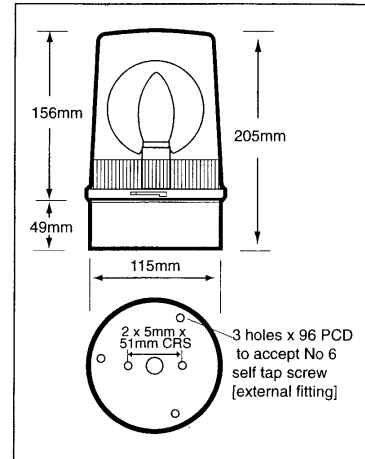
Luces Rotativas

ROTATING BEACONS



Code No:	Voltage:	Light Source:	Current:
R201-13	12v Dc ---	H1 x 55w	4.70 A
R201-14	24v Dc ---	H1 x 70w	3.00 A
R201-29 •	24v Dc ---	Ba 15s x 10w	0.60 A
R201-60	12v Dc ---	Ba15d x 21w	1.85 A
R201-61 •	24v Dc ---	Ba15d x 21w	0.95 A
R201-62	12v Dc ---	Ba15d x 48w	4.00 A
R201-63	24v Dc ---	Ba15d x 48w	2.00 A
R201-64	48v Dc ---	Ba15d x 25w	0.60 A
R200-03	24v Ac ~	Ba15d x 48w	2.00 A
R200-02	48v Ac ~	Ba15d x 25w	0.55 A
R200-04	115v Ac ~	Ba15d x 60w	0.55 A
R200-05	230v Ac ~	Ba15d x 60w	0.29 A

• diode polarised

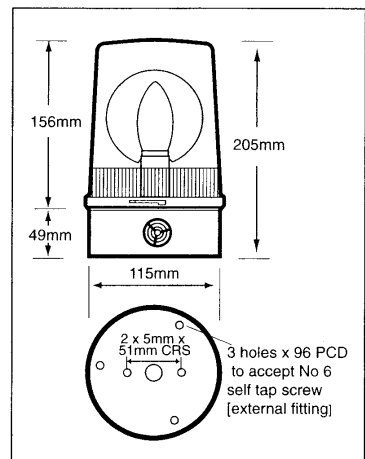


01 02 03 04 05
 °C -10+66 IP 65 50/60 Hz Kg 0.83 Ⓢ r.p.m.160±30DC Ⓢ r.p.m.120AC

ROTATING AUDIBLE BEACONS

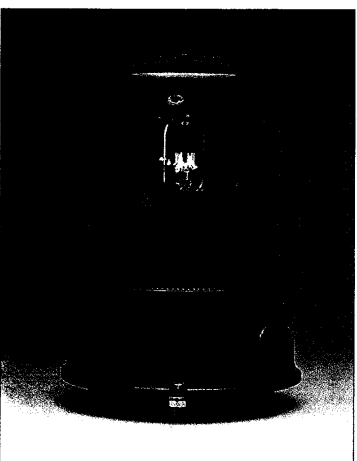


Code No:	Voltage:	Light Source:	Current:
RA201-20	12v Dc ---	H1 x 55w	4.70 A
RA201-21	24v Dc ---	H1 x 70w	3.00 A
RA200-03	24v Ac ~	Ba15d x 48w	2.00 A
RA200-02	48v Ac ~	Ba15d x 25w	0.55 A
RA200-24	115v Ac ~	Ba15d x 60w	0.55 A
RA200-25	230v Ac ~	Ba15d x 60w	0.29 A

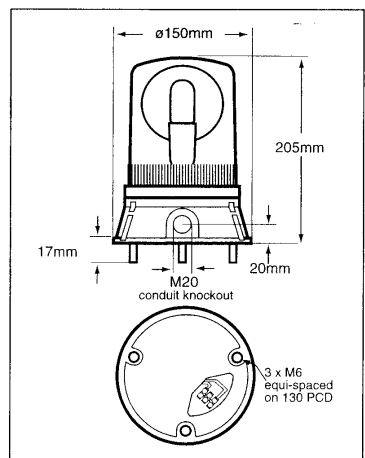


01 02 03 04 05
 °C -10+66 IP 65 50/60 Hz Kg 0.86 Ⓢ r.p.m.160±30DC Ⓢ r.p.m.120AC dB 95

ROTATING BEACONS



Code No:	Voltage:	Light Source:	Current:
R301-13	12v Dc ---	H1 x 55w	4.70 A
R301-14	24v Dc ---	H1 x 70w	3.00 A
R301-60	12v Dc ---	Ba15d x 21w	1.85 A
R301-61	24v Dc ---	Ba15d x 21w	0.95 A
R301-62	12v Dc ---	Ba15d x 48w	4.00 A
R301-63	24v Dc ---	Ba15d x 48w	2.00 A
R301-64	48v Dc ---	Ba15d x 25w	0.60 A
R300-03	24v Ac ~	Ba15d x 48w	2.00 A
R300-02	48v Ac ~	Ba15d x 25w	0.55 A
R300-04	115v Ac ~	E14 x 40w	0.38 A
R300-05	230v Ac ~	E14 x 40w	0.20 A



01 02 03 04 05
 °C -10+66 IP 65 50/60 Hz Kg 0.98 Ⓢ r.p.m.160±30DC Ⓢ r.p.m.120AC