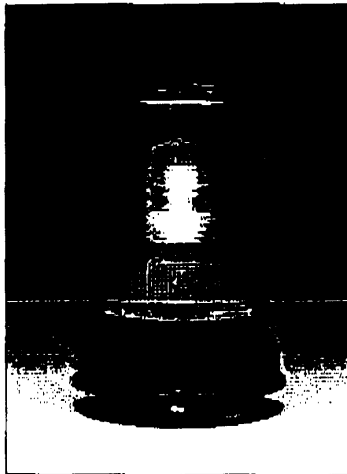


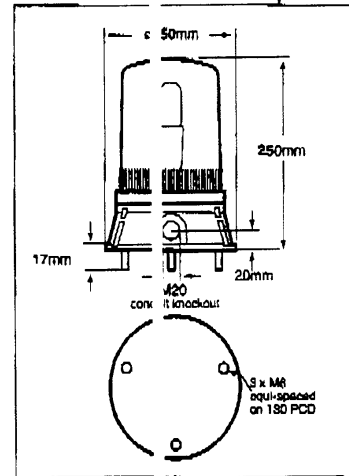
# FLASHING FILAMENT

3091 9511



## FLASHING FILAMENT

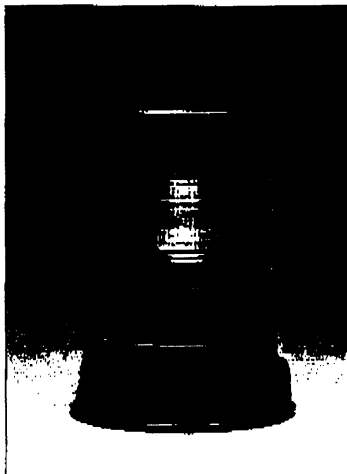
Code No:	Voltage:	Light Source:	Current:
FF301-84	12v Dc ---	Ba15d x 21w	2.00 A
FF301-85	24v Dc ---	Ba15d x 21w	1.00 A
FF301-88	12v Dc ---	H1 x 55w	4.60 A
FF301-89	24v Dc ---	H1 x 70w	2.90 A
FF300-86	115v Ac ~	E14 x 40w	<del>0.35A @ 20A</del>
FF300-87	230v Ac -	E14 x 40w	<del>0.18A @ 16A</del>



⊙ C.P.M. 60

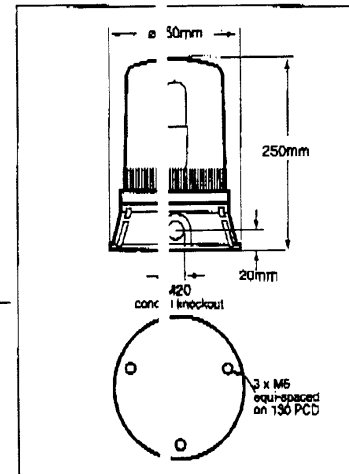
01 04 05  
 °C -35+66 IP 65 50/60 Hz

Kg 0.85



## FLASHING FILAMENT

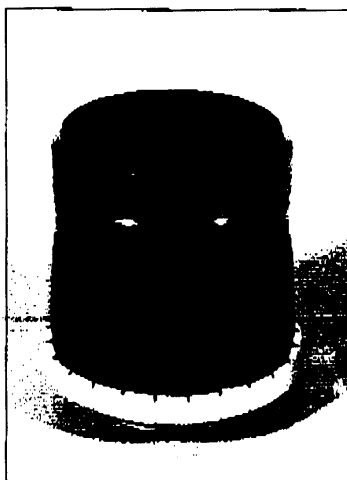
Code No:	Voltage:	Light Source:	Current:
FF401-84	12v Dc ---	Ba15d x 21w	2.00 A
FF401-85	24v Dc ---	Ba15d x 21w	1.00 A
FF401-88	12v Dc ---	H1 x 55w	4.60 A
FF401-89	24v Dc ---	H1 x 70w	2.90 A
FF400-86	115v Ac -	E14 x 40w	<del>0.35A @ 20A</del>
* FF400-87 FA	230v Ac -	E14 x 40w	<del>0.18A @ 16A</del>



⊙ C.P.M. 60

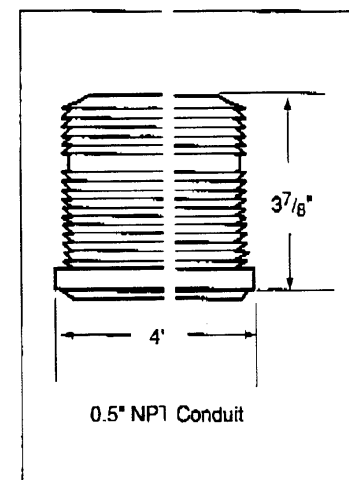
01 04 05  
 °C -35+66 IP 65 50/60 Hz

Kg 0.80



## FLASHING FILAMENT

Code No:	Voltage:	Light Source:	Current:
FF20FZ1-12	12v Dc ---	T/H x 13w	1.00 A
FF20FZ1-24	24v Dc ---	T/H x 20w	0.80 A
FF20FZ1-120	120v Ac -	T/H x 25w	0.20 A
FF20FZ1-240	240v Ac -	T/H x 25w	0.15 A



⊙ C.P.M. 65

01 04 05  
 °C -35+66 IP 65

Kg 0.51