



Warning Beacon 826 XX0 00

(provisional technical data sheet)

WERMA Signaltechnik
GmbH + Co.
Dürbheimer Straße 15
D-78604 Rietheim-Weilheim
Phone 0049/7424/9557-0
Fax 0049/7424/9557-44

Electrical specifications:

Operating voltage: Unenn = max. 250V
Bulb: max. 15 W

Duty cycle: 100 % ED

Order-No.:

826 X00 00
*(826 X20 00)
X 1 = red 2 = green 3 = yellow 4 = clear 5 = blue

Further specifications:

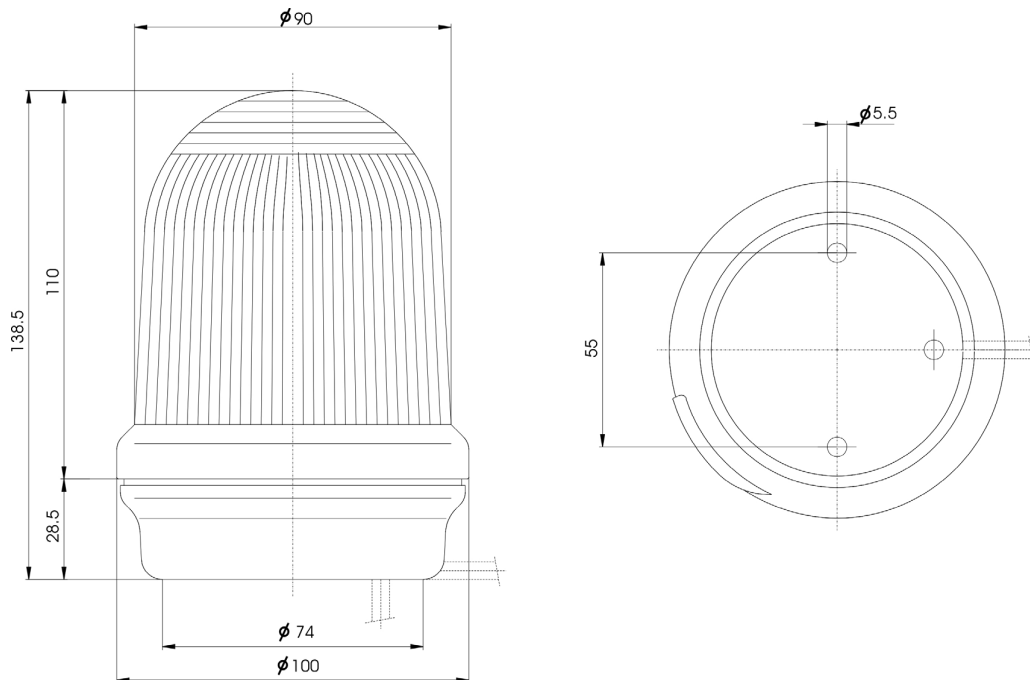
Housing Material: PC / ABS
Cap Material: Polycarbonate
Terminal: screw free spring loaded clamp
0,75mm² - 1,5mm²
approx. 200 g

Weight:
Working Temperature: ta -25°C bis +50°C
Lamp socket: BA 15 d
*(BA 15 s 24 V)

Protection rating: IP65

Regulations: Conform to current EC-regulations.

All specifications refer to Unenn and room temperature!



	Drawn up	proved	released	Data-sheet-No.
Name	E. Rudischhauser	R. Isenmann	H. Elsäßer	000 826 501
Date	2001-11-05	2001-11-05	2001-11-05	Page 1 of 1