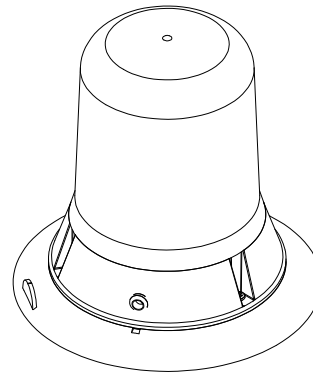
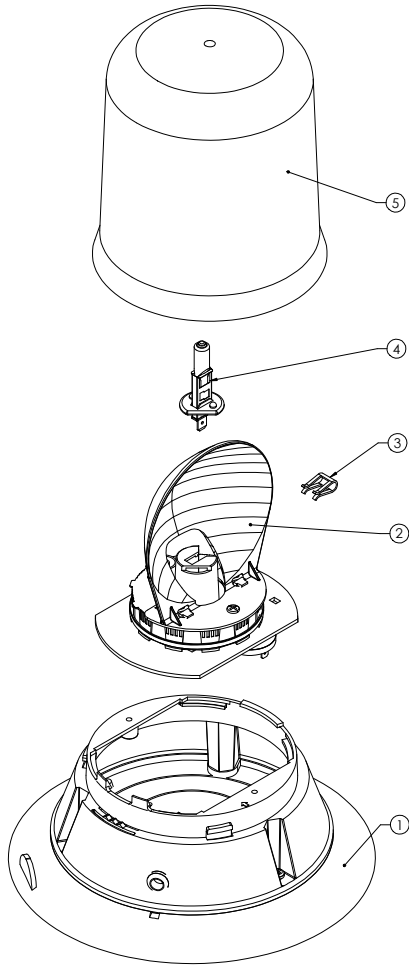


REVISION HISTORY		
REV.	DESCRIPTION	DATE
B	REDRAWN ON SW AS PER CR VAD065	09-Jun-04
C	LATEST BASE VERSION SHOWN AS PER CR VAD119	03-Feb-05

NOTES:
 1. DIMENSIONS IN MILLIMETERS (INCHES)
 2. WIRES, CABLES, CONNECTORS AND TIE WRAPS NOT SHOWN.



ITEM NO.	QTY.	PART NO.	DESCRIPTION	COMMENTS
1	1	999.003	BASE, BEACON, MAG 70, ROUND HOLE	
2	1	999.555	BEACON ROTATOR MODULE ASSY, 500 SERIES	
3	1	920.004	BULB CLIP, VA ROTATOR	
4	1	950.448	BULB, 1255/H1, 12V	
5	1	910.156	LENS, 500 SERIES BEACON, AMBER, INSERT No.9	
6	1	985.002	BOX, BEACON, LARGE, WHITE	NOT SHOWN
7	1	990.136	BOX SLEEVE, LARGE	NOT SHOWN
8	1	990.001	LABEL, BEACON, 500, 'E', ROT, AMBER, BASE	NOT SHOWN
9	1	990.004	LABEL, SPEED, 70mph / 112kph	NOT SHOWN
10	1	990.315	LABEL, BEACON, PRODUCT I.D.	NOT SHOWN
11	1	940.301	CURLY CORD ASSY	NOT SHOWN
12	1	940.295	PIN HOUSING, 2 WAY, FEMALE	NOT SHOWN
13	1	990.231	FITTING INSTRUCTION, UNIVERSAL	NOT SHOWN

APPROVALS	DATE
DESIGNER AR	
CHECKED	
APPROVED	

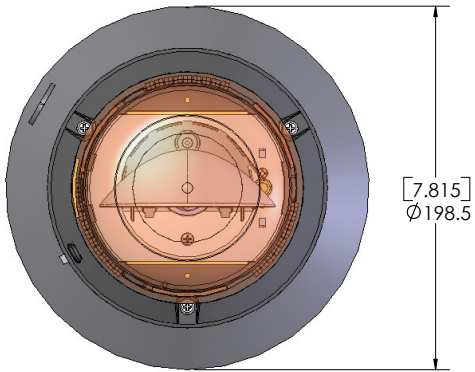
VISION ALERT VISION ALERT AUTOMOTIVE LIMITED
 VISIONS FRASERS PARK, 100 LINDS ROAD, BRIDGTON, BRISBANE QLD 4142, AU
 TEL: +61 7 448 20113 237 5340 FAX: +61 7 448 20113 237 5340
 EMAIL: SALES@VISIONALERT.COM.AU

BEACON, 500 SERIES, MAG 70, AMBER, 12V

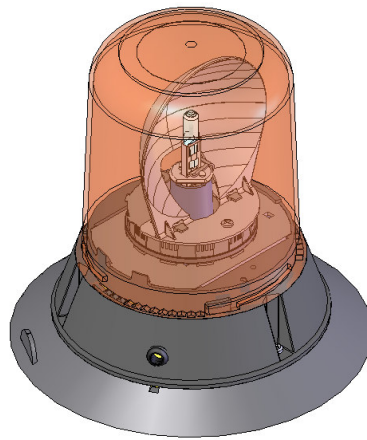
Project:	Date Created: 09-Jun-04
SIZE: A3	PART NO.: 500.001
ECCO PART NO.:	REV: C
SCALE: 1:1	SHEET 1 OF 2

NON DISCLOSURE AGREEMENT
 THIS DRAWING AND THE DESIGN IT ENTAILS ARE THE PRIVATE PROPERTY OF VISION ALERT. WHILE THESE ARE SUBJECT TO CONFIDENTIALITY AND PROPRIETARY INFORMATION ONLY, THE DRAWING AND/OR DESIGN MAY NOT BE USED, COPIED, REPRODUCED OR OTHERWISE DISCLOSED BY ANY PARTY FOR AS A RESULT OF COOPERATING OR SUPPLYING INFORMATION TO ANY OTHER PARTY WITHOUT THE PRIOR WRITTEN CONSENT OF VISION ALERT. THE DRAWING IS SUBJECT TO BEING IN FORCE AND VALIDATION OF THE DRAWING UNDER THE ACCEPTANCE OF THE USER. © 2004 VISION ALERT

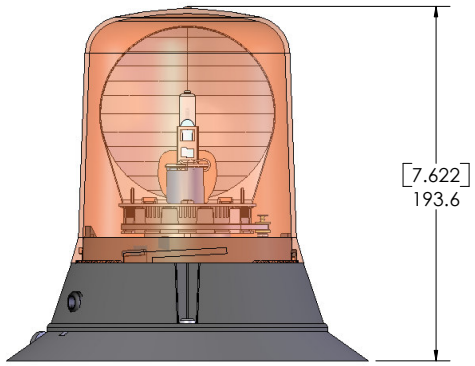
CUSTOMER COPY



TOP VIEW



ISOMETRIC VIEW



FRONT VIEW

SPECIFICATIONS

1. CERTIFICATIONS:
EC 95/54
REG 65 'E' APPROVED
2. VOLTAGE: 12V
3. TEMPERATURE RANGE -30 °C TO 50 °C
4. MOUNTING: MAG 70
5. BASE MATERIAL: POLYCARBONATE
6. LENS MATERIAL: ACRYLIC
7. WEIGHT: 0.8KG APPROX
8. DIMENSIONS IN MILLIMETRES [INCHES]
9. TOTAL CURRENT CONSUMPTION: 4.6AMPS APPROX
10. FLASH RATE: 160 FLASHES PER MINUTE



© VISION ALERT AUTOMOTIVE LIMITED
Victoria Industrial Park, Victoria Road, Seacroft, Leeds LS14 2LA
Tel: +44 (0)113 237 5340 Fax: +44 (0)113 237 5360
Email: sales@visionalert.co.uk

BEACON, 500 SERIES, MAG 70, AMBER, 12V

Project:		Date Created: 09-Jun-04	
SIZE	PART NO.	ECCO PART NO.	REV.
A4	500.001		C
SCALE 1:1			SHEET 1 of 1