

PRE Ø56mm LED Steady & Flashing with Buzzer

TOWER LIGHTS



- Long life and reliability
- Prism-cut lenses for even light distribution
- Surface, Pole or Wall Mounted (Order poles & bases separately)
- Wire leads
- Add-on Buzzer (80 dB) kit available



Order Information

PRE	F	5	01	RYGBC
①	②	③	④	
Light Style	F		Steady & Flashing	
Number of Stacks	1	1 Light		
	2	2 Lights		
	3	3 Lights		
	4	4 Lights		
	5	5 Lights		
Power Supply	01	DC/AC 12V		
	02	DC/AC 24V		
	10	AC 110V		
	20	AC 220V		
Lens Colors (top to bottom)	R	Red		
	Y	Yellow		
	G	Green		
	B	Blue		
	C	Clear		

Optional Orders

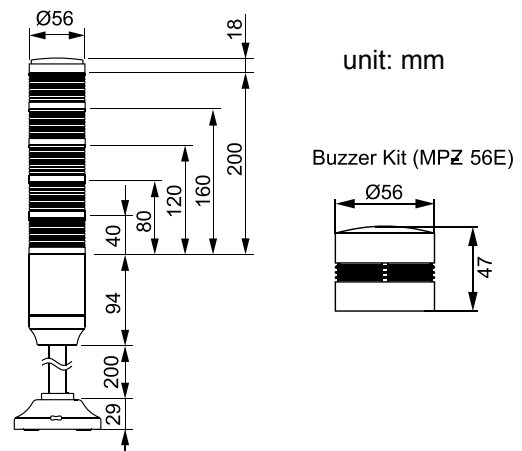
PART	PART NUMBER	DESCRIPTION
Buzzer	MPZ-56E	Ø56mm, 80dB (30mA), 24~240V DC/AC *Buzzer is not available for 12V DC/AC.

Replacement Parts

LED	PRELED-5(□)	24~240V AC/DC
	PRELED-5(□)-12	12V AC/DC
Lens	PEL-5(□)	—

(□): indicates color of LED or Lens; R, Y, G, B or C

Dimensions



Specifications

Power Supply	12V AC/DC	24V AC/DC	120/240V AC
Current Draw	1 Stack	54 mA	28 mA
	2 Stack	109 mA	62 mA
	3 Stack	169 mA	102 mA
	4 Stack	223 mA	136 mA
	5 Stack	275 mA	169 mA
	Buzzer	—	30 mA
Sound Level	—	80 dB	
Flashing rate	80 times/minute		
Rating	IP 56		

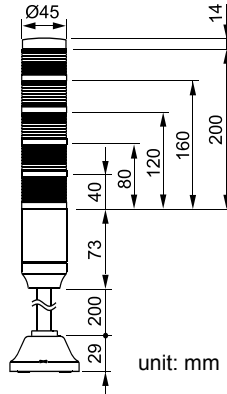
See Page 13-14
for Mounting Options and Accessories.

PME Ø45mm LED Steady & Flashing

TOWER LIGHTS



- Long life and reliability
- Prism-cut lenses for even light distribution
- Surface, Pole or Wall Mounted (Order poles & bases separately)
- Wire leads



Specifications

Power Supply		12V AC/DC	24V AC/DC	100-220V AC
Current Draw	1 Stack	41 mA	27 mA	28 mA
	2 Stack	89 mA	57 mA	60 mA
	3 Stack	149 mA	95 mA	99 mA
	4 Stack	204 mA	125 mA	131 mA
	5 Stack	240 mA	155 mA	163 mA
Flashing rate		80 times/minute		
Rating		IP 56		

Order Information

PME	F	5	01	RYGBC
①	②	③	④	
Light Style			Steady	
	F		Steady & Flashing	
Number of Stacks	1	1 Light		
	2	2 Lights		
	3	3 Lights		
	4	4 Lights		
	5	5 Lights		
Power Supply	01	DC/AC 12V		
	02	DC/AC 24V		
	FF	AC 90~240V		
Lens Colors (top to bottom)	R	Red		
	Y	Yellow		
	G	Green		
	B	Blue		
	C	Clear		

Replacement Parts

LED	PMELED-4(□)	24~240V AC/DC
	PMELED-4(□)-12	12V AC/DC
Lens	PML-4(□)	—

(□): indicates color of LED or Lens; R, Y, G, B or C

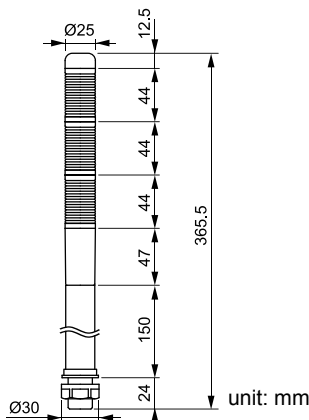
See Page 13-14 for Mounting Options and Accessories.

PAE Ø25mm LED Steady & Flashing

TOWER LIGHTS



- Long life and reliability
- Prism-cut lenses for even light distribution
- Surface, Pole or Wall Mounted (Order poles & bases separately)
- Wire leads



Specifications

Power Supply		12V AC/DC	24V AC/DC
Current Draw	1 Stack	30 mA	25 mA
	2 Stack	65 mA	60 mA
	3 Stack	100 mA	90 mA
	4 Stack	135 mA	120 mA
	5 Stack	170 mA	150 mA
Flashing rate		80 times/minute	
Rating		IP 56	

Order Information

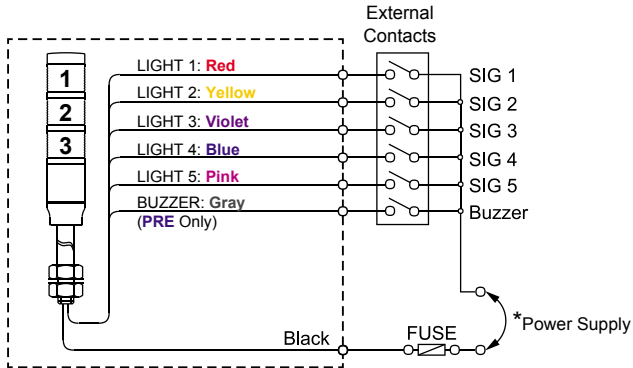
PAE	F	M	G	5	01	RYGBC
①	②	③	④	⑤	⑥	
Light Style					Steady	
	F				Steady & Flashing	
Mounting					Standard	
	M				Pole Mount	
	R				90° Bracket	
Pole Length					No Pole	
	G				51mm pole	
	P				150mm pole	
Number of Stacks	1	1 Light				
	2	2 Lights				
	3	3 Lights				
	4	4 Lights				
	5	5 Lights				
Power Supply	01	DC/AC 12V				
	02	DC/AC 24V				
Lens Colors (top to bottom)	R	Red				
	Y	Yellow				
	G	Green				
	B	Blue				
	C	Clear				

PRE / PME / PAE Wiring Diagram

Steady Lights

DC/AC 12V

PRE-□01-□□□□□
 PME-□01-□□□□□
 PAE-□01-□□□□□

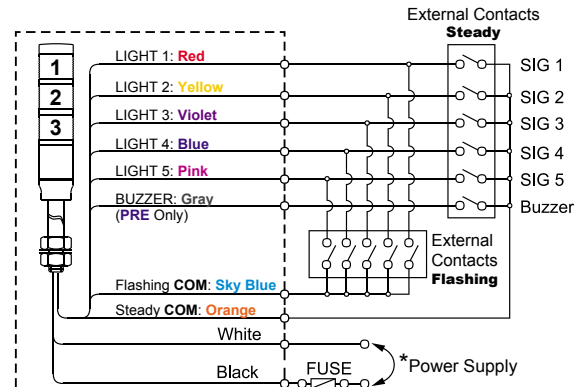


* No polarity for DC applications.

Steady & Flashing Lights

DC/AC 12V

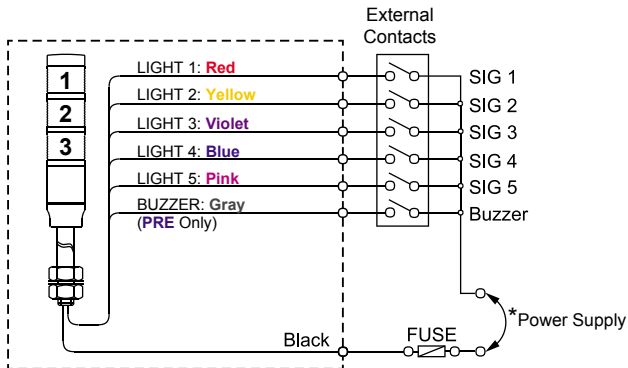
PREF-□01-□□□□□
 PMEF-□01-□□□□□
 PAEF-□01-□□□□□



* No polarity for DC applications.

DC/AC 24V

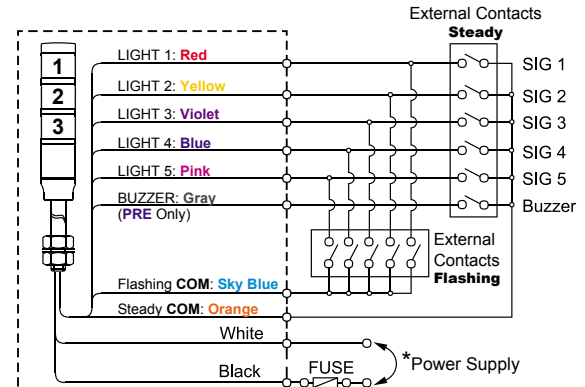
PRE-□02-□□□□□
 PME-□02-□□□□□
 PAE-□02-□□□□□



* No polarity for DC applications.

DC/AC 24V

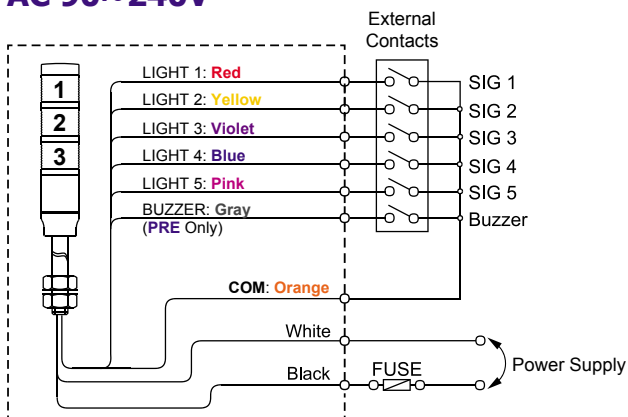
PREF-□02-□□□□□
 PMEF-□02-□□□□□
 PAEF-□02-□□□□□



* No polarity for DC applications.

AC 110V
 AC 220V
 AC 90~240V

PRE-□10-□□□□□
 PRE-□20-□□□□□
 PME-□FF-□□□□□



AC 110V
 AC 220V
 AC 90~240V

PREF-□10-□□□□□
 PREF-□20-□□□□□
 PMEF-□FF-□□□□□

