



AdaptaBeacon® Steady LED & Halogen Lights

PLC Compatible, Type 4X

104SINH & 104SLED Series

FEATURES

- > NEMA Type 4X Enclosure
- > Panel or conduit mounting
- > 18 inch wire leads

AGENCY APPROVALS

- > UL 1638 Listed
- > cUL Listed C22.2 No. 205
- > CE Marked Low Voltage Directive and EMC Directive
- > UL Listed NEMA Type 4X

The Edwards 104SIN Series AdaptaBeacon steady halogen lights and 104SLED Series AdaptaBeacon steady LED lights are designed to provide a bright visual indication utilizing special optics within a shatter resistant polycarbonate lens mounted on a polycarbonate/ABS blend base.

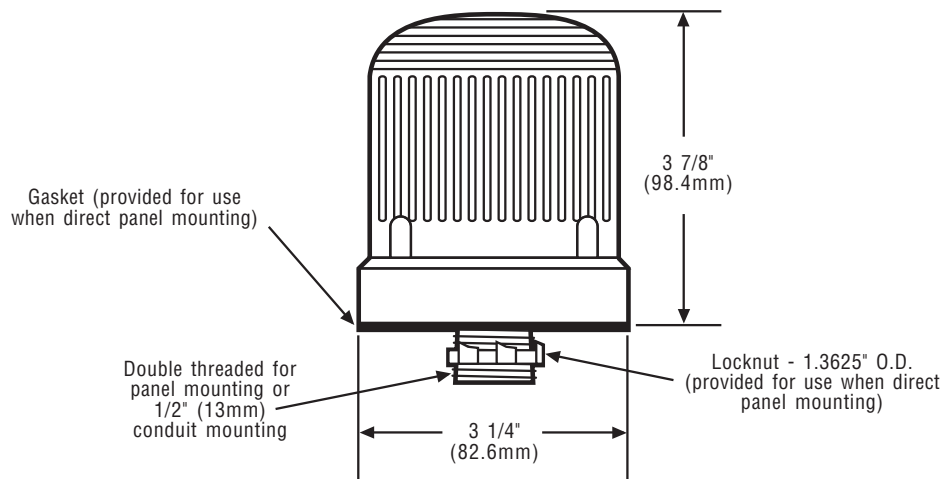
Suitable for indoor or outdoor installation. When mounted outdoors lens should be mounted facing up. May be panel mounted using the provided locknut or conduit mounted. An integral double threaded (internal/external) mounting nipple accommodates 3/4" (19mm).

Double (internal/external) threaded mounting nipple suitable for direct panel mounting or 1/2" (13 mm) conduit mounting.

Often used to signal malfunctions in equipment, such as assembly line jams. Can warn personnel that they are entering a restricted area or an area of high danger. They can advise personnel in manufacturing and process areas when an operation is starting or stopping. Ideal for use where many multiple smaller flashing lights are specified.



TECHNICAL INFORMATION



Cat. No.	Lens Color	Replacement Lens Cat. No.	Light Source Ratings	Electrical Ratings	Candlepower	Replacement Lamp Cat. No.
104SINHA-G1	Amber	104-LA	9 Watts	24V DC	653**	50LMP-9WH-D or industry trade no. 1692* (incandescent)
104SINHB-G1	Blue	104-LB	15,000 hr.***	0.77 Amps		
104SINHC-G1	Clear	104-LC				
104SINHG-G1	Green	104-LG				
104SINHR-G1	Red	104-LR				
104SINHA-G5	Amber	104-LA	9 Watts	24V 50/60 Hz	653**	50LMP-9WH-D or industry trade no. 1692* (incandescent)
104SINHB-G5	Blue	104-LB	15,000 hr.***	0.77 Amps		
104SINHC-G5	Clear	104-LC				
104SINHG-G5	Green	104-LG				
104SINHR-G5	Red	104-LR				
104SINHA-N5	Amber	104-LA	12 Watts	120V 50/60 Hz	879**	50LMP-12WH-D or industry trade no. 15T7DC* (incandescent)
104SINHB-N5	Blue	104-LB	25,000 hr.***	0.25 Amps		
104SINHC-N5	Clear	104-LC				
104SINHG-N5	Green	104-LG				
104SINHR-N5	Red	104-LR				
104SLEDA-G1	Amber	104-LA	120,000 hr.	24V DC	38 lumens**	N/A
104SLEDG-G1	Green	104-LG		0.065 A	102 lumens**	
104SLEDB-G1	Blue	104-LB			35 lumens**	
104SLEDR-G1	Red	104-LR			28 lumens**	
104SLEDA-N5	Amber	104-LA	120,000 hr.	120V 50/60 Hz	38 lumens**	N/A
104SLEDG-N5	Green	104-LG		0.025 A	102 lumens**	
104SLEDB-N5	Blue	104-LB			35 lumens**	
104SLEDR-N5	Red	104-LR			28 lumens**	

*A non-halogen lamp as listed may be used in place of the halogen lamp.

**Bulb manufacturer's rating.

***Projected lamp life based on manufacturer's calculated lamp life at 65 fpm and 50% duty cycle.

SIGNAL INPUT LOAD CHARACTERISTICS*

Cat. No.	Operating Voltage	Max. off state leakage current (mA)	Continuous on Current (mA)	Surge (inrush/duration) Amps/milliseconds
104SINH(-)G1	24V DC	25	320	.36/1
104SINH(-)N5	120V AC	25	250	.5/8
104SLED(-)G1	24V DC	4	65	.07/1
104SLED(-)N5	120V AC	5	25	.09/8

*This device is PLC compatible and may be operated by PLCs with output characteristics that match the input load requirements of this signal.