

354-1782/94

# COMPACT CLASSIC

SINGLE PIEZO  
114 dBA @ 1M

TWIN PIEZO  
117dBA @ 1M



## Super Slim Fully Integrated Domestic Sounder & Strobe Unit

Fully integrated super slim external sounder ideally suited for budget domestic installations or even as a secondary sounder.

### features

#### POLYPROPYLENE COVER, POLYCARBONATE LENS

3mm wall section provides added strength.  
Cover colours: White, Red, Yellow, Blue & Green.  
Lens colours: Blue, Opal, Clear, Red, Green & Amber.

#### FULL FUNCTION TIMED SAB/SCB

Selectable SAB/SCB modes.  
20 minutes cut-off timer; selectable 5 second engineer test.  
Negative applied trigger; selectable trigger wire monitor (not model).  
Selectable positive/negative trigger (not and not models).

#### EXTRA LOUD PIEZO SOUNDER

Twin piezo - 117 dBA @ 1M (119 dBA @ 1M peak).  
Single piezo - 114 dBA @ 1M (116 dBA @ 1M peak).  
2 selectable sounder options; high-low and sweep.

#### 2 WATT XENON STROBE TUBE

Produces a high intensity flash and prolongs tube life.  
Negative applied (not model).  
Independent input terminals (not and not models).

#### TWIN STATUS LEDS

Selectable alternating or constant mode.  
Red LED - tamper closed.  
Green LED - hold-off present.

#### 6V NICKEL METAL HYDRIDE BATTERY

Housed in unique weather protective Bat-Pak.  
Eco-friendly.

#### TWO WAY ANTI-TAMPER

Screw and back anti-tamper.  
SAB action on tamper.  
Negative tamper return (not model).  
Selectable positive/negative (not model).

#### 2 YEAR WARRANTY

100% factory tested, guarantees absolute quality.

#### POLYCARBONATE ELECTRONICS HOUSING

Protects electronics from the weather.  
Provides a strong second skin.

#### REALISTIC DECOY MODEL

Alternating LED module available.

#### METAL INNER SHROUD OPTION

Protects all vulnerable components from attack.

#### MANUFACTURED IN GREAT BRITAIN

Totally designed, manufactured, assembled and tested in Great Britain, as with all other Ventcroft sounders.



Ventcroft Ltd, Unit 14, Goddard Road, Astmoor Industrial Estate,  
Runcorn, Cheshire WA7 1QF. Tel: 01928 581098, Fax: 01928 581099

Email: sales@ventcroft.co.uk Web Site: www.ventcroft.co.uk



# COMPACT CLASSIC

SINGLE PIEZO  
114 dBA @ 1M  
TWIN PIEZO  
117dBA @ 1M



## Super Slim Fully Integrated Domestic Sounder & Strobe Unit

### engineer sounder hold-off facility

During installation the sounder may be held-off, allowing the engineer to work on the sounder without unnecessary noise. Simply set the timer to "T" test and either apply hold-off voltage, or connect the backup battery. The sounder will sound for 5 seconds then stop. Move the timer selector back to the "A" position. The sounder will then stay held-off until all tampers are closed and the hold-off voltage is present. The timer will then reset and the unit will be ready for normal use. This process may be repeated when ever necessary.

### technical information

#### INDICATORS

- Red LED** Indicates tamper switch closed
- Green LED** Indicates hold off voltage present

#### LED SELECT

- ALT** LEDs alternate from side to side
- CONST** Both LEDs constantly illuminated

#### TIMER SELECT

- A** 20 minutes
- T** 5 seconds

#### MODE SELECT

- SAB Self Activating Bell** draws sounder current from the onboard battery only if hold off voltage is removed
- SCB Self Contained Bell** is ideal for secondary sounders as the sounder current is always drawn from the onboard battery

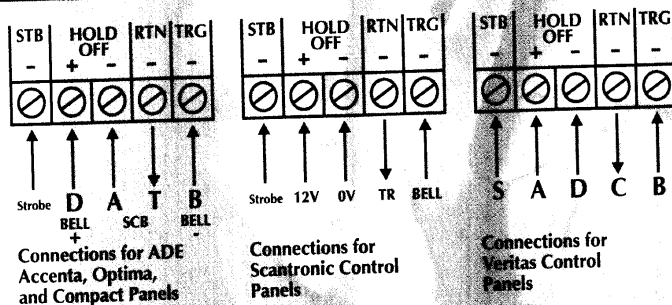
#### BATTERY SELECT

- On** Enables the onboard battery without having to use a screw driver
- Off** Completely isolates the onboard battery from the sounder circuitry

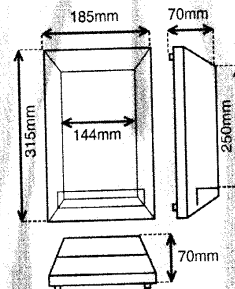
#### SPECIFICATIONS

Strobe Voltage	13.8V Nominal (15V max)
Strobe Current	100mA Nominal (150mA max)
Strobe Tube	2 Watt Linear
Strobe Flash Frequency	60-120 per minute
Hold-off Voltage	13.8V Nominal (10V min, 15V max)
Hold-off Current	Alternating LEDS – 35mA (45mA max) Constant LEDS – 55mA (70mA max)
Sounder Current	1 Piezo – 100mA (150mA max) 2 Piezo – 250mA (350mA max)
Sounder Output	1 Piezo – 114dBA @ 1M 2 Piezo – 117dBA @ 1M
Battery Voltage	6V
Battery Charge Time	24 hours
Battery Charge Current	Trickle – 5.5mA (nominal) From Discharged – 15mA max
Product Coating	HPA MIL-1-46058C
Warranty	2 Years

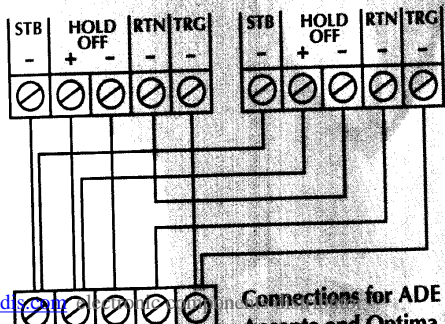
### The Classic is easy to connect



### dimensions



### connecting two Classics is simple



### available in a variety of colours

