

Maxi E.M. Lock Accessories

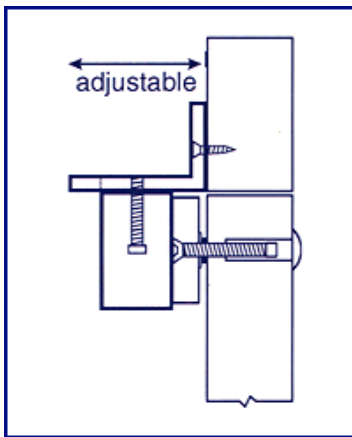


- L300MCX L Bracket for slimline 300kgs (660lb) maglock
- Z300MCX Z Bracket for slimline 300kgs (660lb) maglock
- Z600MCX Z Brackets for standard 600kgs (1320lb) maglock
- L600MCX L Brackets for standard 600kgs (1320lb) maglock
- ZL600MCX Z&L Brackets for standard 600kgs (1320lb) maglock
- G300MCX Glass Door Brackets for 300kgs (660lb) maglock
- G600MCX Glass Door Brackets for 600kgs (1320lb) maglock
- CL300MBX Cowling for L bracket 300kgs (660lb) maglock
- CL600MBX Cowling for L bracket 600kgs 1320lb) maglock
- CZL300MBX Cowling for ZL bracket 300kgs (660lb) maglock
- CZL600MBX Cowling for ZL bracket 600kgs 1320lb) maglock

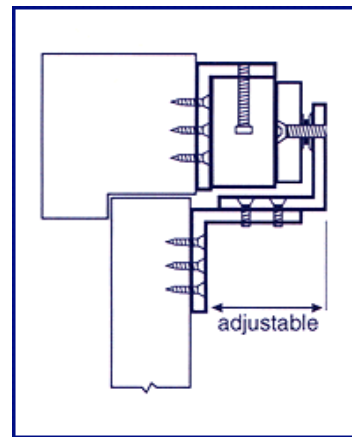
All Z & L brackets apply to both single and double magnets

Installation Information

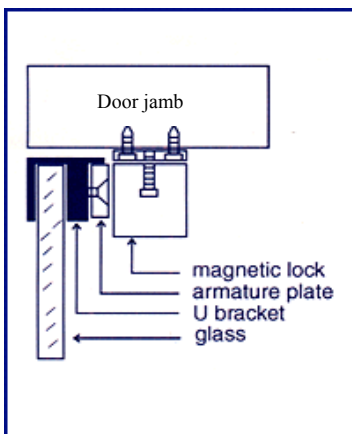
L Bracket
Outward door installation



Z Bracket
Inward door installation



Glass Door Bracket
Suitable for 10mm/12mm Glass



Note: This aluminium fabricated bracket is suitable for 10mm to 12mm glass doors. Before the installation takes place, ensure the glass meets the thickness requirement. After confirming the glass size is correct apply glue to the glass area as required then tighten the three screws provided, also apply a small amount of glue to the armature screw in order to prevent it becoming loose, then fix the armature plate remembering to fit

