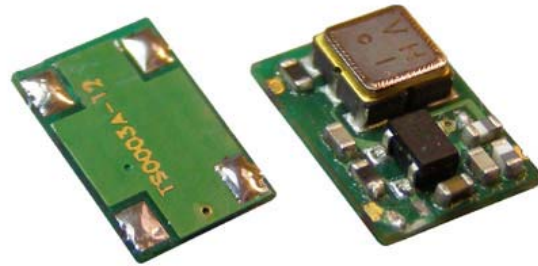


Features

- Complete RF Transmitter
- SAW Resonator
- Transmit Range Up To 50m
- CMOS / TTL Input
- No Adjustable Components
- Stable Operating Frequency
- Wide Operating Voltage (3-12v)
- ASK Modulation
- Available as 315 or 433 MHz



Applications

- Wireless Security Systems
- Garage Door controller
- Remote Gate Controls
- Remote Sensing
- Data Capture
- Sensor Reporting

Description

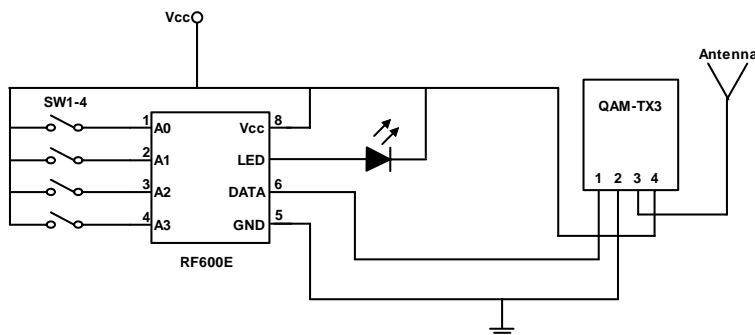
The Quasar UK AM hybrid transmitter module provides a complete RF transmitter which can be used to transmit data at up to 3KHz from any standard CMOS/TTL source.

The module is very simple to operate and offers a wide operating voltage range, the RF Power output increases in line with the voltage level applied to the module. Data can be supplied directly from a microprocessor or encoding device, thus keeping the component count down and ensuring a low hardware cost.

The modules are compatible with the Quasar UK Ltd. range of AM receivers to provide a complete solution.

Typical Application

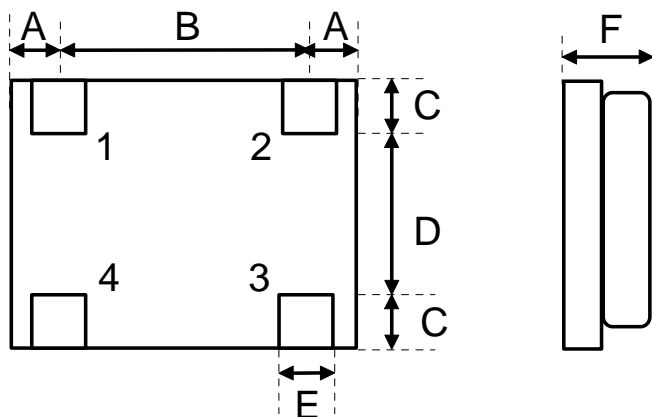
For further information on this circuit please refer to the RF Solutions datasheet DS600.



Part Numbers

Part Number	Description
QAM-TX3-433	AM Transmitter Module, 433MHz

Technical Specifications



Please Note

1. Components on reverse
2. Dimensions in mm
3. Tolerance of +/- 0.15

Dimensions

Pin	Measurements (mm)
A	1
B	5.08
C	1.0
D	3.2
E	1.2
F	1.8

Pin Descriptions

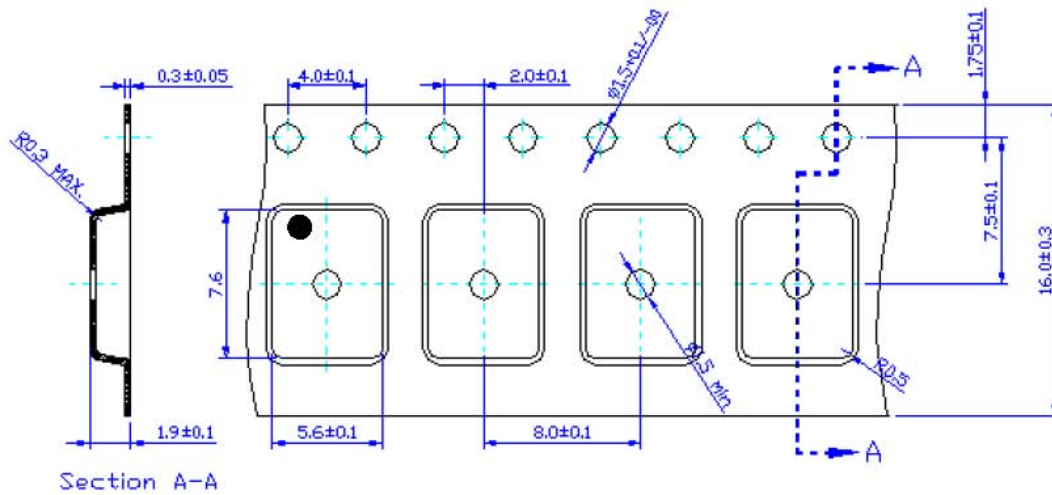
Pin	Name	Description
1	IN	Data input
2	GND	Ground
3	ANT	External Antenna
4	Vcc	Supply Voltage

Electrical Characteristics

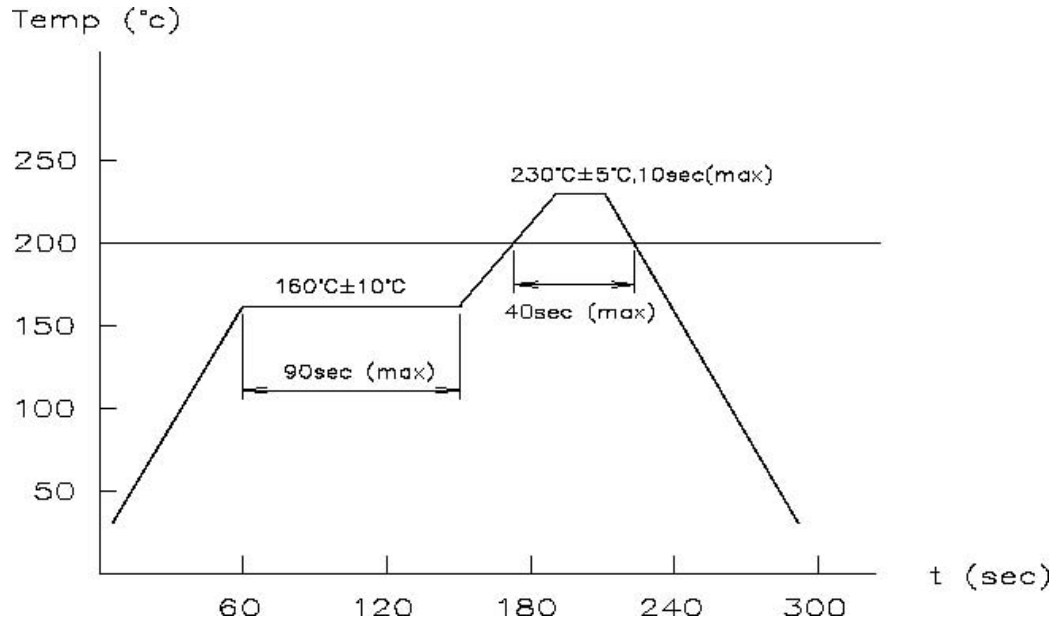
Ambient temp = 25°C unless otherwise stated.

Characteristic	Min.	Typ.	Max.	Dimensions
Supply Voltage	3		12	Vdc
Supply Current (Vcc=12V)			12.5	mA
Output Power (Vcc=3V IN=1kHz)		10		dBm
Working Frequency		433.92		MHz
Frequency Accuracy		+/- 75		KHz
Data Rate		1	3,000	Hz
Operating Temperature	-20		+85	°C

Tape and Reel Dimensions



Maximum Soldering Profile



www.quasaruk.co.uk

Information contained in this document is believed to be accurate, however no representation or warranty is given and no liability is assumed by Quasar (UK) Ltd. with respect to the accuracy of such information. Use of products as critical components in life support systems is not authorised except with express written approval from Quasar (UK) Ltd.