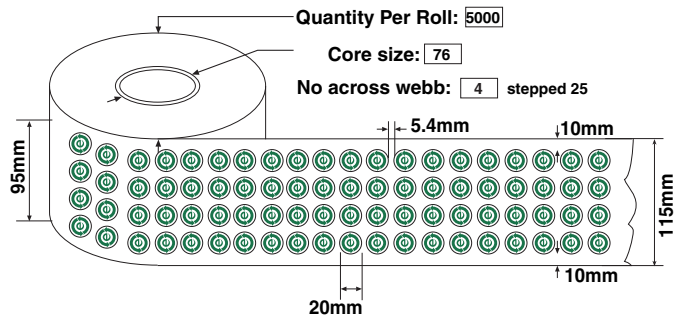


PRINTING



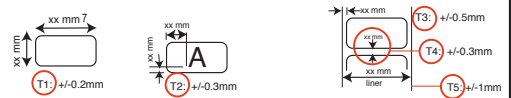
PRESENTATION



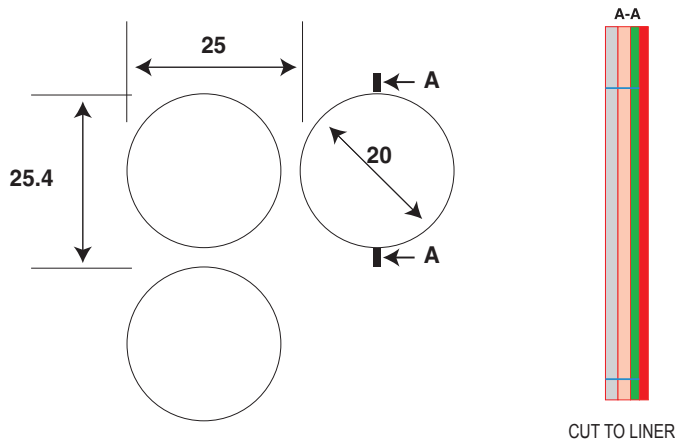
Line No.	Part Description	171 number	Farnell Order Code	Size (Diam.)	Print Info	Bag	Pack Qty	Composite Spec
98	LBC-FAR-10468-98-20-eR	4-1768831-5	1341231	20	e	Roll	5000	20mm Diam 1 Col Roll

LABEL SPECIFICATION

These are our standard tolerances unless specified by customers drawing



CUTTING



Process	Flexographic
Material	SAP code APRFPC/166
Print Colours	Green PMS362C
Nom. Thickness	80 micron
Overlaminated Y/N	NO
Texture	Semi-Gloss
Wound	Outside Wound
Cutter Size	20dia
Rads	none
Background Colour	White
Adhesive Type	Permanent
Unit of Issue	5000 Labels per roll
Core Size	76
Other	

All dimensions in mm



Tel: 01495 273519
 Fax: 01495 272979

TITLE LBC-FAR-10468-98-20-eR	REV 01	DRAWN BY RBP 01/03/07	DRAWING No. CON659 4-1768831-5
MODIFICATION		DATE	PLAN No. 07/189 cut 07/136
APPROVED BY		DATE	FOLDER FARNELL FEB 07