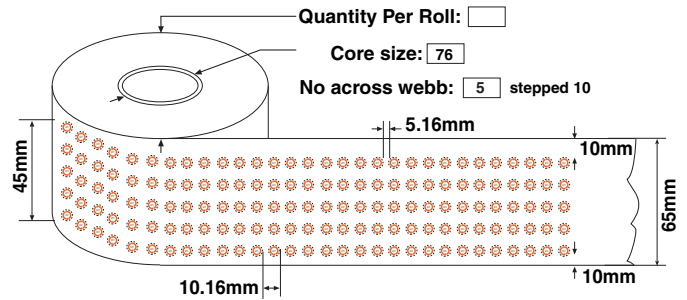


PRINTING

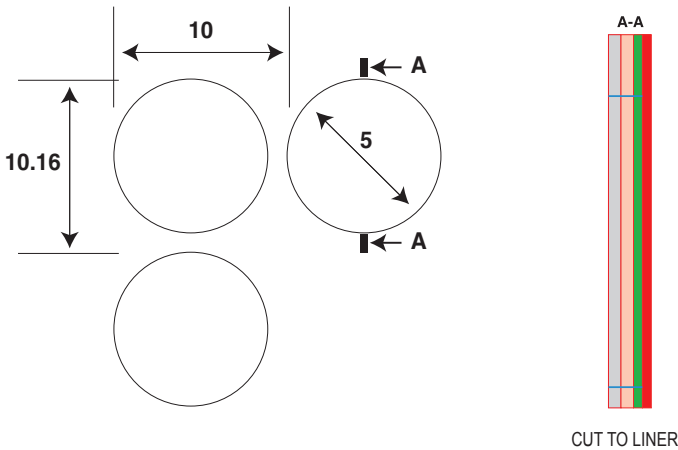


| Line No. | Part Description | 171 number | Farnell order code | Size (Diam.) | Print Info | Roll | Pack Qty | Composite Spec |
|----------|------------------------|-------------|--------------------|--------------|------------|------|----------|--------------------------|
| 46 | LBC-FAR-10468-46-5-1R | 6-1768830-3 | 1341144 | 5 | 1 | Roll | 5000 | 5mm Diam 2 Col Roll (1) |
| 47 | LBC-FAR-10468-47-5-2R | 6-1768830-4 | 1341146 | 5 | 2 | Roll | 5000 | 5mm Diam 2 Col Roll (2) |
| 48 | LBC-FAR-10468-48-5-3R | 6-1768830-5 | 1341147 | 5 | 3 | Roll | 5000 | 5mm Diam 2 Col Roll (3) |
| 49 | LBC-FAR-10468-49-5-4R | 6-1768830-6 | 1341148 | 5 | 4 | Roll | 5000 | 5mm Diam 2 Col Roll (4) |
| 50 | LBC-FAR-10468-50-5-5R | 6-1768830-7 | 1341149 | 5 | 5 | Roll | 5000 | 5mm Diam 2 Col Roll (5) |
| ADDED | LBC-FAR-10468-50-5-6R | 6-1768830-8 | 1341150 | 5 | 6 | Roll | 5000 | 5mm Diam 2 Col Roll (6) |
| ADDED | LBC-FAR-10468-50-5-7R | 6-1768830-9 | 1341151 | 5 | 7 | Roll | 5000 | 5mm Diam 2 Col Roll (7) |
| ADDED | LBC-FAR-10468-50-5-8R | 7-1768830-0 | 1341152 | 5 | 8 | Roll | 5000 | 5mm Diam 2 Col Roll (8) |
| ADDED | LBC-FAR-10468-50-5-9R | 7-1768830-1 | 1341153 | 5 | 9 | Roll | 5000 | 5mm Diam 2 Col Roll (9) |
| 51 | LBC-FAR-10468-51-5-10R | 7-1768830-2 | 1341154 | 5 | 10 | Roll | 5000 | 5mm Diam 2 Col Roll (10) |
| ADDED | LBC-FAR-10468-51-5-15R | 7-1768830-3 | 1341155 | 5 | 15 | Roll | 5000 | 5mm Diam 2 Col Roll (15) |
| 52 | LBC-FAR-10468-52-5-20R | 7-1768830-4 | 1341156 | 5 | 20 | Roll | 5000 | 5mm Diam 2 Col Roll (20) |
| 53 | LBC-FAR-10468-53-5-25R | 7-1768830-5 | 1341158 | 5 | 25 | Roll | 5000 | 5mm Diam 2 Col Roll (25) |
| 54 | LBC-FAR-10468-54-5-50R | 7-1768830-6 | 1341159 | 5 | 50 | Roll | 5000 | 5mm Diam 2 Col Roll (50) |

PRESENTATION



CUTTING



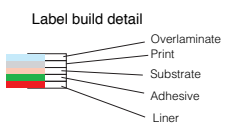
LABEL SPECIFICATION

These are our standard tolerances unless specified by customers drawing



| | |
|-------------------|----------------------|
| Process | Flexographic |
| Material | SAP code APRFPC/120 |
| Print Colours | Orange and Grey |
| Nom. Thickness | 80 micron |
| Overlaminated Y/N | NO |
| Texture | Semi-Gloss |
| Wound | Outside Wound |
| Cutter Size | 5dia |
| Rads | none |
| Background Colour | White |
| Adhesive Type | Permanent |
| Unit of Issue | 5000 Labels per roll |
| Core Size | 76 |
| Other | |

FONTS
IMPACT 5.5PT



All dimensions in mm

| | | | | |
|--|-------------------------------|------------------|------------------------------------|---|
| tyco Electronics Tel: 01495 273519 Fax: 01495 272979 | TITLE LBC-FAR-10468 | REV 01 | DRAWN BY RBP 23/02/07 | DRAWING No. CON647 |
| | MODIFICATION | | DATE | PLAN No. 07/073 07/074 cutter |
| | APPROVED BY | | DATE | FOLDER FARNELL FEB 07 |