

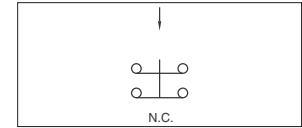
A01 series

Emergency stop switches

Panel cut-out Ø 16 (.630)

- Prominent 24 mm (.944) dia. or optional 40 mm (1.575) dia. red mushroom actuator
- Highly reliable positive break switch
- Push to shut off switch, twist to reset to ON
- Approved to UL 1054 / EN 60947-5-1

An emergency stop switch assembly requires : operator + switch block.
To order, specify with single pole or double pole positive break switch block.

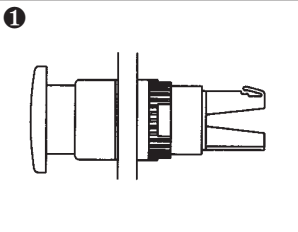
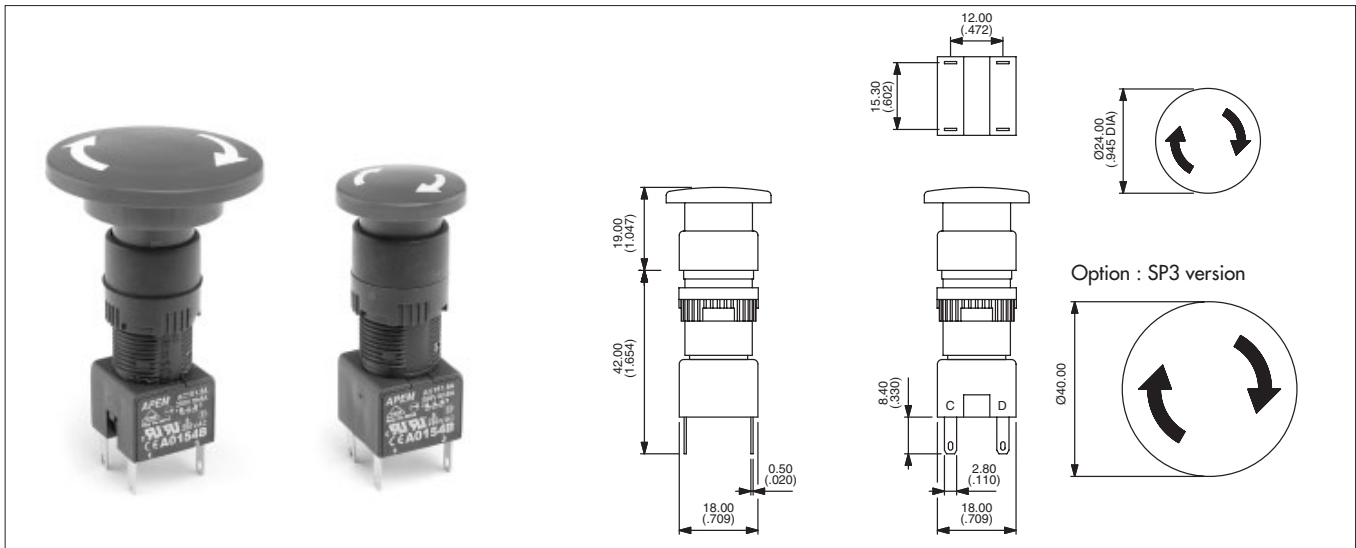


General specifications

- Min. mechanical life : 6.050 cycles (6 cycles per minute)
- Operating force / torque : 16 N / 0,1 Nm
- Operating temperature : -20°C to +55°C
- Solder heat resistance : 350°C, 5 secs (IEC 68-2-2-20Tb, method 2)
- Degree of environmental protection (IEC 529) :
IP65 front of panel, IP40 back of panel
- Switch terminals : solder/quick-connect 2,8 mm (.110) (IEC 68-2-20)

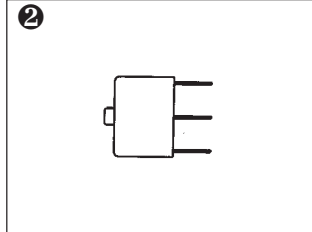
Electrical specifications

- Current/voltage rating :
1,5A 250VAC AC-15
- Contact gap : > 3 mm (.118)
- Dielectric strength : 2.900V
- Electrical life : 6.050 cycles



Operator

Description	Part No
24 mm Ø Emergency stop	A01ES
40 mm Ø Emergency stop	A01ES SP3



Switch block

No of poles	Part No
Single pole	A0150BUL
Double pole	A0154BUL

Accessory



60 mm Ø Self Adhesive Label

Description	Part No
Yellow label with text	A01YL1
Yellow label	A01YL2

G