

## Key Features:

- Line-array enhanced coverage control
- Organic, unobtrusive shape
- Strong-Arm-Mount™ for easy, flexible aiming
- Full-bandwidth overload protection
- Weather resistant - Conforms to Mil Spec 810 and IEC 529 IP 34
- Dual LF transducers for extended bass and greater power handling and output
- Ti direct-radiator HF transducer, Neodymium structure
- High sensitivity
- Magnetically shielded
- Zinc-plated grilles
- Transformer Versions



## General Description:

The EVID 3.2 is a very compact full-range loudspeaker ideal for indoor and outdoor applications requiring high-quality sound. Its shape and size make it nearly invisible for use in background/foreground music systems for restaurants, bars, patios, retail, and other applications

The 3.2's three-dimensional elliptic baffle symmetrically locates the .75" Ti direct radiator high-frequency element in front of and between the 3.5" low-frequency drivers. The careful shaping, location, and 10° splaying of the LF units provide coverage control by the resulting line array. Lobing is controlled by physically "shadowing" the LF transducers from each other over the bandwidth where they would normally exhibit interference. EVID's mounting system provides greater range of aiming angles in both horizontal and vertical planes than other types. The curved grille features designed-in weather resistance and a hidden leash for safety.

All models are available in black or white, and can easily be painted to match the décor. Transformer versions are also available for constant voltage systems.

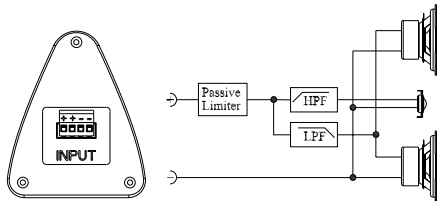
## Technical Specifications:

Frequency Response <sup>1</sup> (-10 dB)	85Hz - 20kHz
Power Handling <sup>2</sup>	150W Cont. Prog./300W Peak
Sensitivity <sup>3</sup>	87dB, 1W, 1m
Impedance	8 ohms
Max SPL	108 dB
Horizontal Coverage <sup>4</sup>	140°
Vertical Coverage <sup>4</sup>	100°
Crossover Frequency	2.4kHz
LF Transducer	2 x 3.5" (90 mm)
HF Transducer	.75" (20 mm)
Protection	Full System
Weather Resistance	Meets Mil Spec 810 humidity, salt spray, temperature and UV, and IEC 529 IP 34 splashproof ratings
Swing x Rotation	100° x 90°
Terminals	Phoenix Connector
Enclosure Material	ABS (paintable)
"t" Version Wattage Taps	5W 70V/10W 100V
Dim (H x W x D)	9.2" x 5.1" x 6.5" (234 mm x 130 mm x 165 mm)
Net Weight (each)	3.3 lbs (1.5 kg)
Shipping Weight (pair)	8.6 lbs (3.9 kg)
Included Accessories	SAM™, hex key
<sup>1</sup> Half Space (wall mounting) <sup>2</sup> Continuous Program Rating: 3dB greater than continuous pink noise rating (IEC-shaped pink noise with 6dB crest factor) <sup>3</sup> Avg: Half Space (wall mounting) <sup>4</sup> When mounted with long axis in vertical plane	

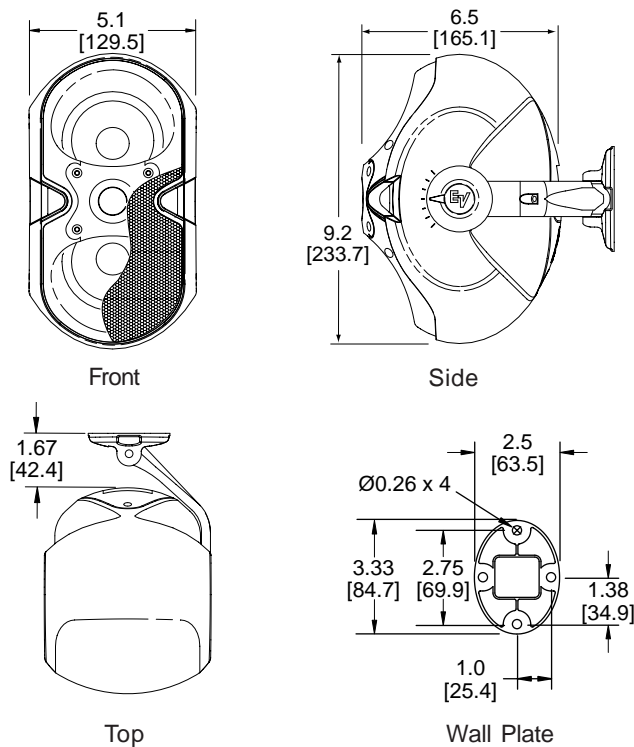
## Architecture & Engineering Specs:

The loudspeaker shall be a two-way system consisting of two 3.5" (89mm) low-frequency transducers, a .75" (19mm) high-frequency transducer, and a frequency-dividing network installed in a vented, line-array enclosure. The network shall include a passive limiter for both the low-frequency and high-frequency transducers. The loudspeaker system shall meet the following performance criteria: Power handling, 150 Watts of EIA RS-426A continuous pink noise (6 dB crest factor); Frequency response, 85 Hz – 20 kHz (-10 dB from rated sensitivity); Pressure sensitivity, 87 dB at one watt, 200 Hz – 10 kHz at one meter; Impedance, 8 ohms nominal, 6 ohms minimum. The enclosure shall be molded of acrylic butyl styrene. The enclosure shall be 9.2" (234mm) high, 5.1" (127mm) wide, 6.5" (165mm) deep. The finish shall be a paintable black or white. The grille shall be zinc plated, powder coated for corrosion resistance, and restrained with a safety leash. The loudspeaker shall be adjustable over a range of 100° horizontally and 90° vertically. The support bracket shall be low profile and integral with the enclosure. The system shall be weather resistant to MIL Spec 810 and IEC 529 IP 34 test conditions. The surface mount loudspeaker shall be the Electro-Voice® EVID model 3.2.

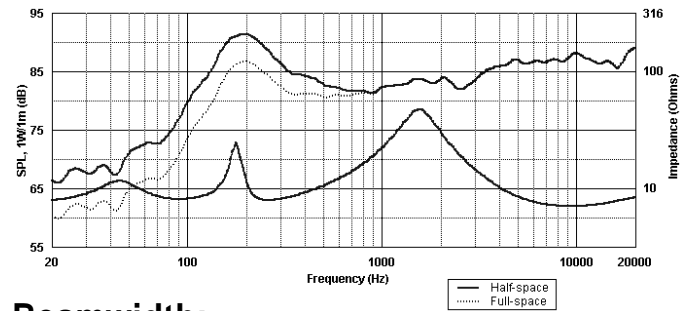
## Block Diagram:



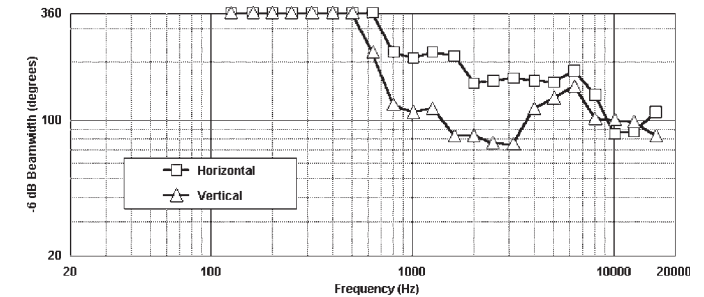
## Dimension Drawings:



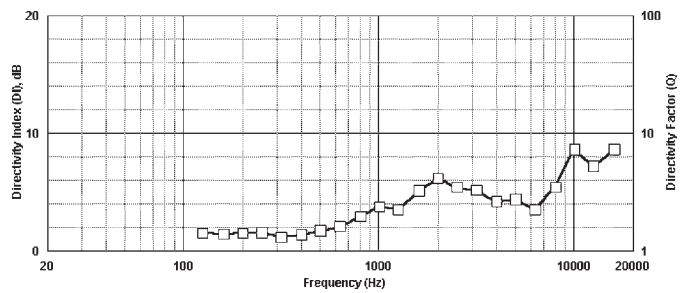
## Frequency Response:



## Beamwidth:



## Directivity:



## Performance Match:

- EVID 12.1 Sub

## Available Accessories:

- MA-3 Microphone Stand Mounting Kit for 3.2
- HS-3 Horizontal Mount Desk Stand for 3.2/4.2
- VS-3 Vertical Mount Desk Stand for 3.2
- AB-ZE Array Bracket Kit for 2 or 4 ZX1i or EVID Systems, Black

## EVID 3.2 Part Numbers:

- |            |                    |
|------------|--------------------|
| 301045-001 | Black              |
| 301045-002 | White              |
| 301045-003 | Black, Transformer |
| 301045-004 | White, Transformer |

**Electro-Voice®**

12000 Portland Avenue South, Burnsville, MN 55337  
Phone: 952/884-4051, Fax: 952/884-0043

[www.electrovoice.com](http://www.electrovoice.com)

© Telex Communications, Inc. 1/2007

Part Number 38109-981 Rev F

U.S.A. and Canada only. For customer orders, contact Customer Service at:

**800/392-3497 Fax: 800/955-6831**

Europe, Africa, and Middle East only. For customer orders, contact Customer Service at:

**+ 49 9421-706 0 Fax: + 49 9421-706 265**

Other International locations. For customer orders, contact Customer Service at:

**+ 1 952 884-4051 Fax: + 1 952 887-9212**

For warranty repair or service information, contact the Service Repair department at:

**800/685-2606**

For technical assistance, contact Technical Support at: **866/78AUDIO**

Specifications subject to change without notice.