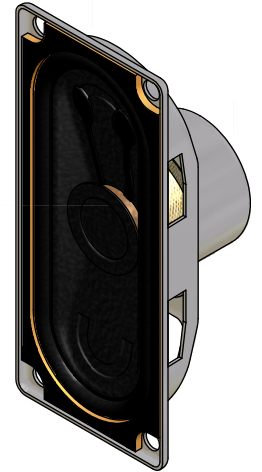
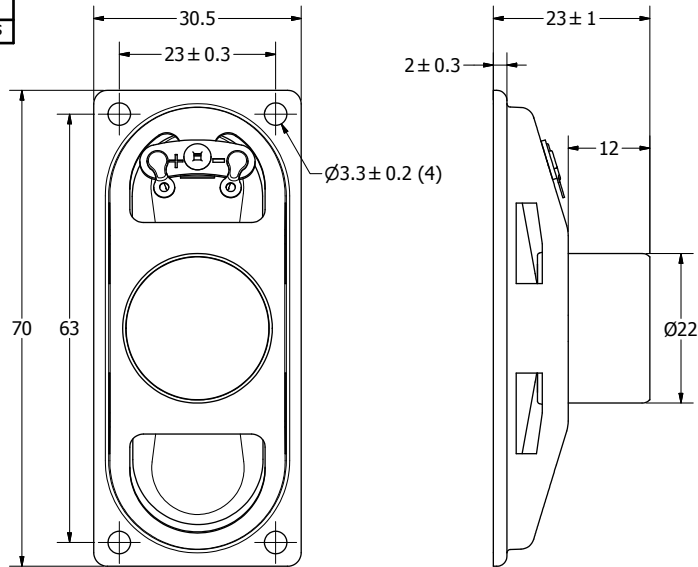


| SPECIFICATIONS | | |
|---|--------------|-------|
| PARAMETERS | VALUES | UNITS |
| RATED INPUT POWER | 2 | W |
| MAX INPUT POWER | 5 | W |
| IMPEDANCE | 8 ± 15% | OHM |
| OUTPUT SPL @ 1W/0.5M (AT 0.6, 0.8, 1.0, 1.2 kHz) | 86 ± 3 | dB(A) |
| DISTORTION (MAX.) | 5% | - |
| RESONANT FREQUENCY | 300 ± 20% | Hz |
| FREQUENCY RANGE | 100 ~ 20,000 | Hz |
| HOUSING MATERIAL | METAL | - |
| CONE MATERIAL | PAPER | - |
| MAGNET MATERIAL | Nd-Fe-B | - |
| OPERATING TEMPERATURE | -20 ~ +60 | °C |
| WEIGHT | 37 | grams |


THIS DOCUMENT CONTAINS DATA PROPRIETARY TO PROJECTS UNLIMITED, INC. ANY USE OR REPRODUCTION, IN ANY FORM, WITHOUT PRIOR WRITTEN PERMISSION OF PROJECTS UNLIMITED, INC. IS PROHIBITED.
©2003, Projects Unlimited Inc.

| REVISION HISTORY | | | |
|------------------|--|-----------|----------|
| LTR | DESCRIPTION | DATE | APPROVED |
| - | RELEASED FROM ENGINEERING | 5/8/2006 | |
| A | REVISED TO INVENTOR 3-D DRAWING TEMPLATE | 1/20/2009 | B.R. |



NOTES:

1. ALL DIMENSIONS ARE IN MILLIMETERS.
2. SPECIFICATIONS SUBJECT TO CHANGE OR WITHDRAWAL WITHOUT NOTICE.
3. THIS PART IS RoHS 2002/95/EC COMPLIANT.

| UNLESS OTHERWISE SPECIFIED: DIMENSIONS ARE IN MILLIMETERS, TOLERANCES ARE ±0.5 AND ANGLES ARE ±3°. | SIZE A3 | Designed by | Date | Checked by | Date | Approved by | Date | Drawn Date | |
|--|-------------------|--|----------|------------|--------------------------------------|-------------|----------|--------------|----------------|
| | | J.D. | 5/8/2006 | E.P. | 5/8/2006 | B.R. | 5/8/2006 | 1/20/2009 | |
| AS07008PO-R.idw | |  pui audio <small>A Division of Projects Unlimited</small> | | | AS07008PO-R Speaker | | | Edition - | Sheet 1 / 1 |