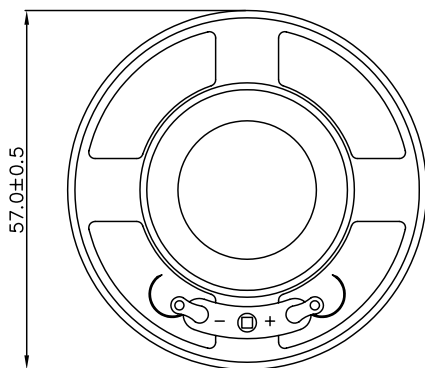


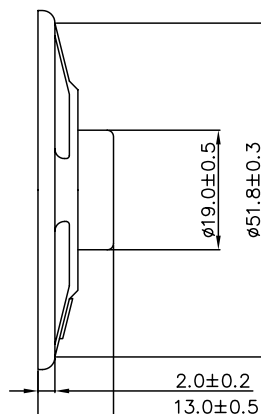
THIS DOCUMENT CONTAINS DATA PROPRIETARY TO PROJECTS UNLIMITED, INC. ANY USE OR REPRODUCTION, IN ANY FORM, WITHOUT PRIOR WRITTEN PERMISSION OF PROJECTS UNLIMITED, INC. IS PROHIBITED.  
© 2003, Projects Unlimited Inc.

SPECIFICATIONS

PARAMETERS	VALUES	UNITS
RATED INPUT POWER	0.5	W
MAX INPUT POWER	1	W
IMPEDANCE	8±15%	OHM
OUTPUT SPL @ 1W/0.5M (AT 0.8, 1.0, 1.2, 1.5 kHz)	92±3	dB
DISTORTION	5%	-
RESONANT FREQUENCY	450±20%	Hz
FREQUENCY RANGE	450 ~ 4,000	Hz
HOUSING MATERIAL	METAL	-
CONE MATERIAL	PAPER	-
MAGNET MATERIAL	Nd-Fe-B	-
OPERATING TEMPERATURE	-20 ~ +60	°C
WEIGHT	20	grams




REVISIONS			
LTR	DESCRIPTION	DATE	APPROVED
-	RELEASED FROM ENGINEERING	1/22/04	



NOTES:

1. ALL DIMENSIONS ARE IN MILLIMETERS.
2. SPECIFICATION SUBJECT TO CHANGE OR WITHDRAWAL WITHOUT NOTICE.

FILE NAME  
AS05708PR.DWG

UNLESS OTHERWISE SPECIFIED: DIMENSIONS ARE IN MILLIMETERS, TOLERANCES ARE ±0.5 AND ANGLES ARE ±3°.		 <b>projects® unlimited</b> Dayton, Ohio							
<table border="1"> <thead> <tr> <th>APPROVALS</th> <th>DATE</th> </tr> </thead> <tbody> <tr> <td>DRAWN <i>R.A.C.</i></td> <td>1/04</td> </tr> <tr> <td>APPROVED <i>R.W.</i></td> <td>1/04</td> </tr> </tbody> </table>		APPROVALS	DATE	DRAWN <i>R.A.C.</i>	1/04	APPROVED <i>R.W.</i>	1/04	DYNAMIC SPEAKER AS05708PR	
APPROVALS	DATE								
DRAWN <i>R.A.C.</i>	1/04								
APPROVED <i>R.W.</i>	1/04								
<table border="1"> <thead> <tr> <th>SIZE</th> <th>DRAWING NO.</th> </tr> </thead> <tbody> <tr> <td>A</td> <td>AS05708PR</td> </tr> </tbody> </table>		SIZE	DRAWING NO.	A	AS05708PR	SHEET 1 OF 1			
SIZE	DRAWING NO.								
A	AS05708PR								
DO NOT SCALE DRAWING		SCALE: N.T.S.							