

C803AT72

Mitek Corporation
 1401 Jack Mackey Boulevard
 Spring, TX 75119
 Phone: (972)875-8413 Fax: (972)875-8416

MIITEK PART # / DRAWING # **C803AT72** MATL: **N/A**

FILE **SPK 8 IN COAX T72/4W**

DESIGNED BY: **E. WAYMON** SCALE: **1:2** FINISH: **NONE**
 DATE: **4/11/00** DRAWN BY: **W. HENDERSON**
 ENG. APPROVER: **B. MARLIN** P.C. APPROVER: **J. ALMAND** MFG. APPROVER: **G. LAW**
 DATE: **10/30/04** DATE: **10/22/04** DATE: **10/22/04**

REV	ECO#	DESCRIPTION	BY	DATE	APRV.
A	5495	DWG. CREATED	KW	4/11/00	
B	E4364	ADDED 419006, MADE SINGLE PART PRINT, DWG# WAS 30-10774	MDH	6/20/03	BM
C	E4520	113557 WAS 187489	KJ	10/17/03	BM
D	E5119	484316 WAS 419006 (CLAMP)	MDH	10/30/04	BM

DRIVER: **SOLIDWORKS**
 UNIT: **INCH**
 TOLERANCES:
 UNITS: **INCH**
 XXX ± 0.3
 XXXX ± 0.15
 ANGULAR $\pm 1^\circ$
 FRACTIONAL $\pm 1/64$
 HOLES ± 0.05
 ASME Y14.5M-1994

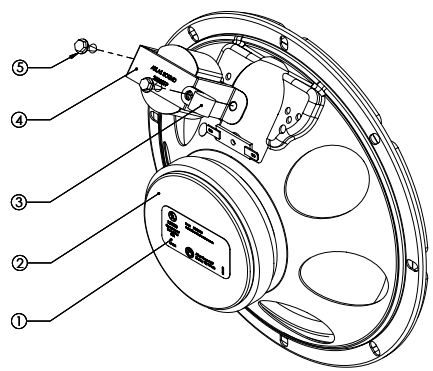
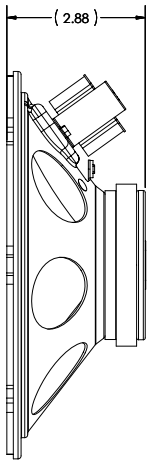
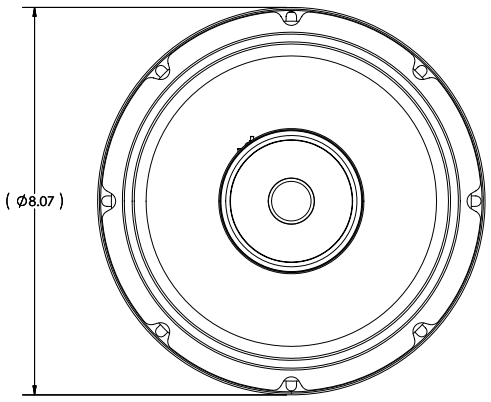
SIZE: **B** REV: **D** LAST USED: **Ⓞ** RETIRED: None

THIS DRAWING AND DATA EMBODY PROPRIETARY DESIGN AND INFORMATION WHICH IS THE CONFIDENTIAL PROPERTY OF MIITEK CORPORATION. NONE OF WHICH SHALL BE COPIED, REPRODUCED, DISCLOSED TO OTHERS, PROVIDED OR USED IN WHOLE OR IN PART, FOR ANY PURPOSES WITHOUT EXPRESS WRITTEN PERMISSION OF A DULY AUTHORIZED AGENT OF MIITEK CORPORATION. THIS DRAWING IS SUBJECT TO RECALL BY MIITEK CORPORATION AT ANY TIME, ITS BEING SUBMITTED IN CONFIDENCE AND PATENT RIGHTS ARE RESERVED BY MIITEK CORPORATION.

ITEM NO.	QTY.	PART NO.	DESCRIPTION
1	1	483090	LABEL, SPKR UL LISTED
2	1	366415	SPKR ASSY C803A COAX
3	1	486316	CLAMP, 3/8 CORD CLAMP NYLON
4	1	252351P	TRANS, 25V/70V
5	2	113557	SCW, # 8 X .375 STABWHHX ZP
6	1	483733	INST SHEET, C803A UL SERIES

NOTES:

1. ROUTE PRIMARY WIRES THRU CORD CLAMP (#3).
2. INST. SHEET (#6) IS INCLUDED BUT NOT SHOWN.
3. CORD CLAMP MAY BE ATTACHED TO EITHER SIDE OF TRANSFORMER.



500-0799-111 REV. 1