

**Part Number:** ADS-2908



**Features**

- Small size
- Very low profile
- Broad frequency range
- High reliability

**Electrical Specifications**

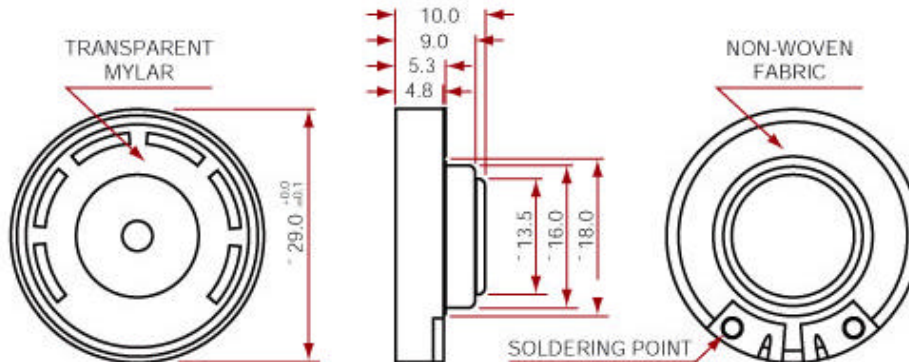
Rated Input	0.1 Watts
Maximum Input	0.2 Watts
Frequency Range	750 to 4000 Hz
Impedance	8 +/- 15% Ohm
Operating Temperature Range	-20 to +60 Deg C

Case: ABS, black  
Weight: 0.282 oz. (8 grams)  
Mylar cone

**Mechanical**

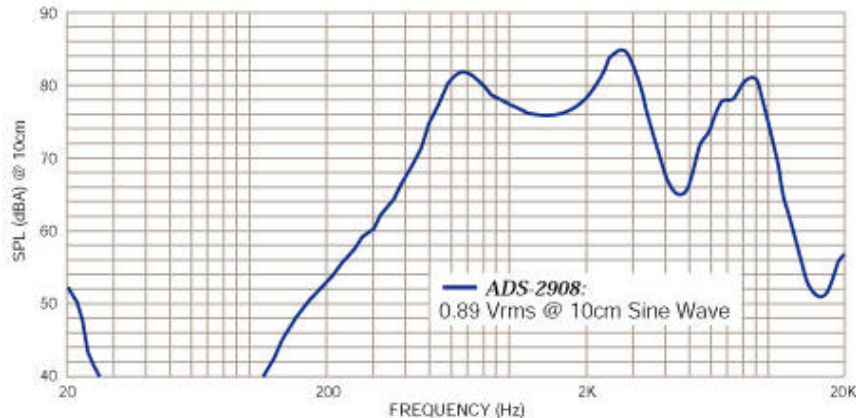
*Dimensions are in millimeters, tolerance is ± 0.5 unless otherwise specified.*

ADS-2908



**Performance**

*Typical SPL vs. Frequency*



**For application notes and detail drawing specifications, please consult [www.projectsunlimited.com](http://www.projectsunlimited.com).**

Specifications subject to change without notice.

© 2002, Projects Unlimited Inc., All Rights Reserved.