

746-277

4" Marine speaker

The following features are designed to increase resistance to UV and moisture:

- Integral plastic grille
- ABS plastic chassis and magnet cover
- Polypropylene cone
- Rubber cone surround
- Mylar secondary HF cone
- PU coated pigtails

Technical Specification:

Magnet Ø	70	mm
Nominal Impedance	8	Ohms
Output S.P.L 1W @ 1m	85	dB
Frequency Response	120-17,000	Hz
Rated Power Input	20	Watts rms
Voice coil Ø	25	mm
Mounting depth (from rear)	48	mm
Speaker weight	-----	g

After the following tests the speaker operates normally

Load test: 22 Watts of White noise for 100 Hrs

Heat test: 55 ± 5°C for 24 Hrs

Humidity test: 45 ± 5°C for 48 Hrs @ 95% R.H.

59-MS10.00-01F
Theile Small Parameters:

<i>F_s</i>	122	<i>Hz</i>
<i>R_e</i>	6.2	<i>Ohms</i>
<i>R_{es}</i>	14.18	<i>Ohms</i>
<i>Q_{ms}</i>	3.99	
<i>Q_{es}</i>	1.74	
<i>V_{as}(S_d)</i>	2.08	<i>Litres</i>
<i>M_{ms}</i>	4.75	<i>grams</i>
<i>C_{ms}</i>	367	<i>µm/Newton</i>
<i>B_l</i>	3.58	<i>Tesla-m</i>

Remarks:

Supplied as standard with terminal types as follows:

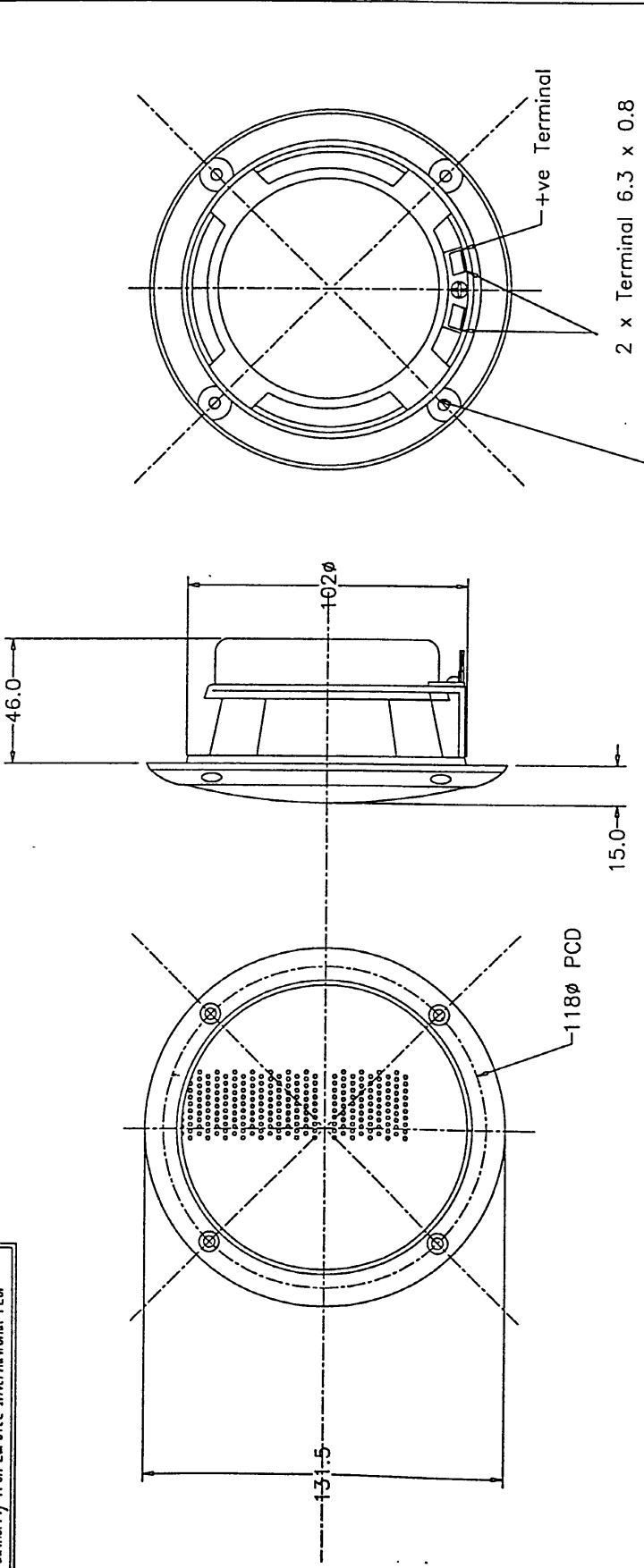
- +Ve 1 x 6.3mm x 0.8mm
- Ve 1 x 6.3mm x 0.8mm

Also available in 5" 25 Watt, and 6" 30 Watt versions.

Frequency response and Impedance graphs available on request.

746-277

CONFIDENTIAL
 This drawing and design is the property of Eurotec International PLC, and must not be disclosed to any third party without written authority from Eurotec International PLC.



739	1	Release	MM	SC
EDGE	CHANGE	DATE	APPRO	SIZE
THIRD ANGLE	PROJECTION	1st	2nd	A5
TOLERANCES UNLESS OTHERWISE STATED				
ALL DIMENSIONS IN mm	3/10	± 1.5	10-50	± 0.8
DO NOT SCALE	1:1	± 0.5		
EuroTec Int'l PLC				
Liss Hants UK				
Drawer	Ansell	Date	03/99	
Checked		Date	23/3/99	
File Name	MS10.DWG			
Reading Ref				
Description	Maine Type Loudspeaker 100mm			
Part N°	58-MS10.00-01C			

2 x Terminal 6.3 x 0.8

4 x Fixing hole 4.0φ

With 7.0φ Counter bore

118φ PCD