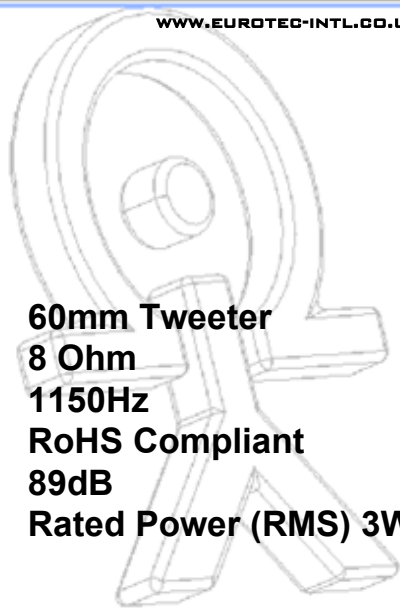
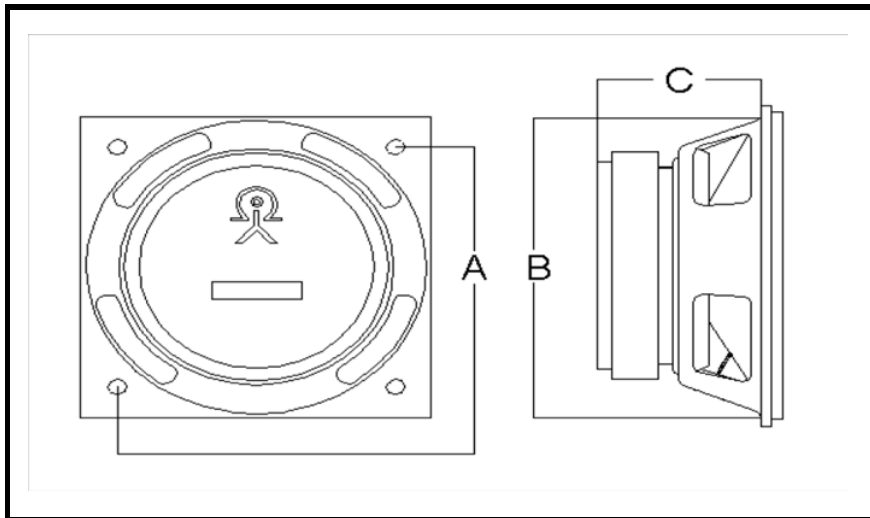


59-H60.01-R02F



60mm Tweeter
8 Ohm
1150Hz
RoHS Compliant
89dB
Rated Power (RMS) 3W



After the following tests the speaker operates normally.

Thermal Shock Test

-30°C±2°C/2Hrs +80°C/2Hrs 20 Cycles

Humidity Test

+40°C 95%RH 96Hrs

High Temperature Test

+85°C 240 Hrs

Low Temperature Test

-40°C 72 Hrs

A (mm)	66.5
B (mm)	56.5
C (mm)	24

Magnet Dia (mm)	45
Gasket thickness (mm)	0.6
Mounting holes in pitch	4

Output S P L 1W @ 1m	89
Nominal impedance Ω	8
Rated Power input (W)	3
Speaker weight (g)	134
Voice coil dia (mm)	10
SPECIFICATION	

FS	1233.31 Hz
RE	7.07 Ohm
RES	5.48 Ohm
QMS	6.35
QES	8.2
QTS	3.58
MMs	0.313 grams
CMs	53 μm/Newton
BL	1.44 Tesla-m
THIELE SMALL	

