

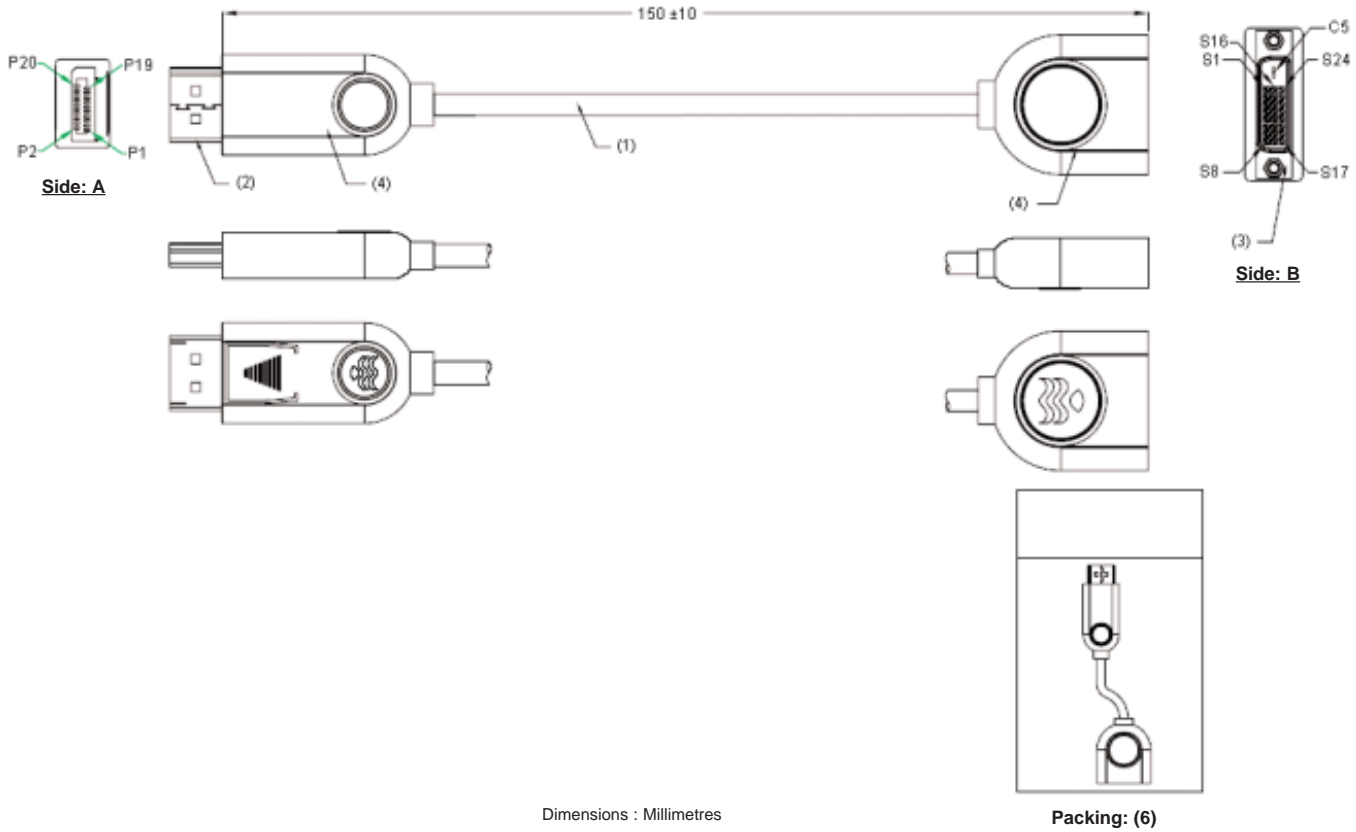


PART NO.

HK-GDP05

REVISIONS

ECN #	REV	DESCRIPTION	DRAWN	DATE	CHECKD	DATE	APPRVD	DATE
-	A	RELEASED	Arun	07/02/11	Jagan	07/02/11	Farnell	21/02/11



Dimensions : Millimetres

Packing: (6)

This data sheet and its contents (the "Information") belong to the Premier Farnell Group (the "Group") or are licensed to it. No licence is granted for the use of it other than for information purposes in connection with the products to which it relates. No licence of any intellectual property rights is granted. The Information is subject to change without notice and replaces all data sheets previously supplied. The Information supplied is believed to be accurate but the Group assumes no responsibility for its accuracy or completeness, any error in or omission from it or for any use made of it. Users of this data sheet should check for themselves the Information and the suitability of the products for their purpose and not make any assumptions based on information included or omitted. Liability for loss or damage resulting from any reliance on the Information or use of it (including liability resulting from negligence or where the Group was aware of the possibility of such loss or damage arising) is excluded. This will not operate to limit or restrict the Group's liability for death or personal injury resulting from its negligence. SFC pro-SIGNAL is the registered trademark of the Group. © Premier Farnell plc 2011.

TOLERANCES:
UNLESS OTHERWISE SPECIFIED, DIMENSIONS ARE FOR REFERENCE PURPOSES ONLY.

DRAWN BY:	DATE:
Arun	07/02/11
CHECKED BY:	DATE:
Jagan	07/02/11
APPROVED BY:	DATE:
Farnell	21/02/11

DRAWING TITLE:			
DP to DVI Adaptor - 150mm			
SIZE A	DWG NO. XXX	ELECTRONIC FILE HK-GDP05_DWG	REV A
SCALE: NTS	U.O.M.: mm	SHEET: 1 OF 2	



PART NO.

HK-GDP05

REVISIONS

ECN #	REV	DESCRIPTION	DRAWN	DATE	CHECKD	DATE	APPRVD	DATE
-	A	RELEASED	Arun	07/02/11	Jagan	07/02/11	Farnell	21/02/11

Specifications:

Cable Wiring

32AWG (7/0.08mmTCu) x 1P + D (7/0.08mmTCu) + AM x 5C + 32AWG (7/0.08mmTCu) x 5C + AD (7/0.08mmTCu) + B (16 x 7/0.12mmTCu) (Coverage 85%).

Jacket material : PVC OD: 5 ±0.1m.
 Cable length : 0.15m.
 Cable colour : White.

Connector A

DisplayPort 20P male solder type (with PCB)
 Insulation : Black.
 Contact : Phosphor bronze, gold plated.
 Shell : Fe, nickel plated.

Connector B

DVI (24 + 1)P female solder type (with PCB)
 Insulation : Black.
 Contact : Phosphor bronze, gold plated.
 Shell : Fe, gold plated.

Over mould : Assembly, white.

Parameter Settings

Conductive resistance : 1.0Ω.
 Minimum insulative resistance : 10MΩ.
 Hi-Pot : DC 300V/10ms, 1.5mA/I, 50Hz, 0.03s.

Part Number Table

Description	Part Number
DP to DVI Adaptor	HK-GDP05

<http://www.farnell.com>
<http://www.newark.com>
<http://www.cpc.co.uk>

This data sheet and its contents (the "Information") belong to the Premier Farnell Group (the "Group") or are licensed to it. No licence is granted for the use of it other than for information purposes in connection with the products to which it relates. No licence of any intellectual property rights is granted. The Information is subject to change without notice and replaces all data sheets previously supplied. The Information supplied is believed to be accurate but the Group assumes no responsibility for its accuracy or completeness, any error in or omission from it or for any use made of it. Users of this data sheet should check for themselves the Information and the suitability of the products for their purpose and not make any assumptions based on information included or omitted. Liability for loss or damage resulting from any reliance on the Information or use of it (including liability resulting from negligence or where the Group was aware of the possibility of such loss or damage arising) is excluded. This will not operate to limit or restrict the Group's liability for death or personal injury resulting from its negligence. SPC pro-SIGNAL is the registered trademark of the Group. © Premier Farnell plc 2011.

TOLERANCES:

 UNLESS OTHERWISE SPECIFIED, DIMENSIONS ARE FOR REFERENCE PURPOSES ONLY.

DRAWN BY:	DATE:
Arun	07/02/11
CHECKED BY:	DATE:
Jagan	07/02/11
APPROVED BY:	DATE:
Farnell	21/02/11

DRAWING TITLE:			
DP to DVI Adaptor - 150mm			
SIZE	DWG NO.	ELECTRONIC FILE	REV
A	XXX	HK-GDP05_DWG	A
SCALE: NTS		U.O.M.: mm	SHEET: 2 OF 2