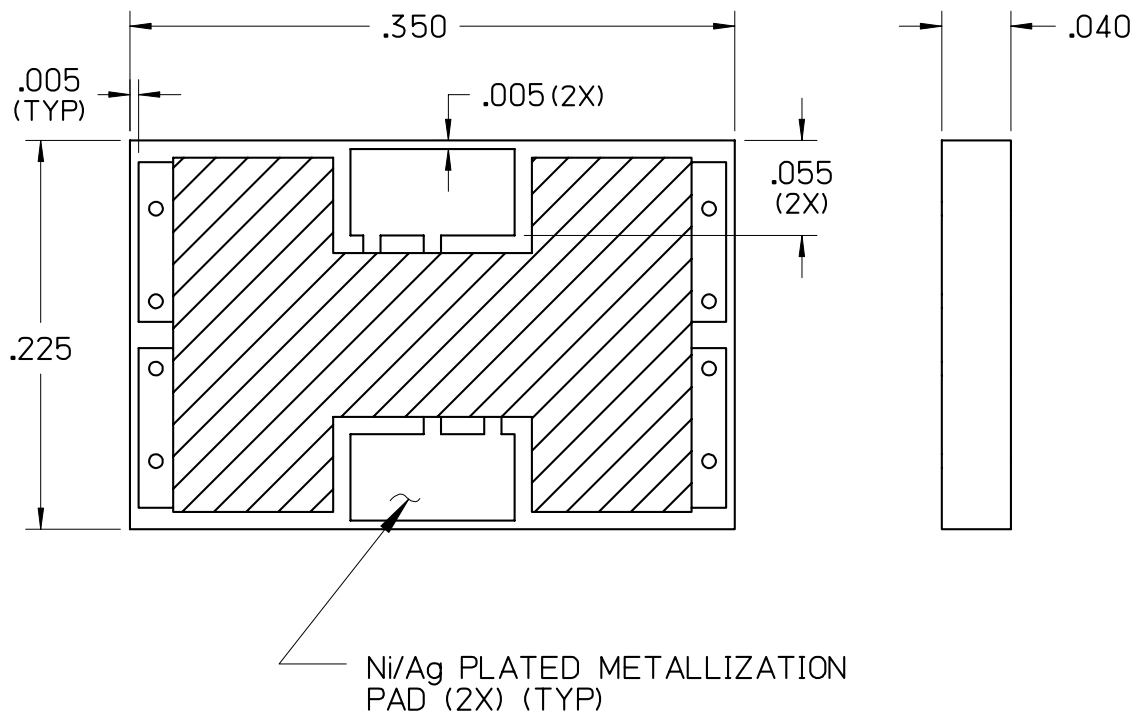




CA2335A0308C

AlN Chip Attenuator

Power: 120 Watts (CW)  
Attenuation: 30 dB  $\pm$  1.0 dB  
VSWR: 1.2 :1  
Frequency Range: DC to 3.5 GHz  
Substrate: AlN



For detailed information regarding this product or sample request contact Johanson Sales



Johanson Manufacturing Corporation • 301 Rockaway Valley Road, Boonton, New Jersey 07005 • Phone 973.334.2676 • Fax 973.334.2954  
STAY TUNED • ELECTRONIC ACCURACY THROUGH MECHANICAL PRECISION • WWW.JOHANSONMFG.COM

Nov 08