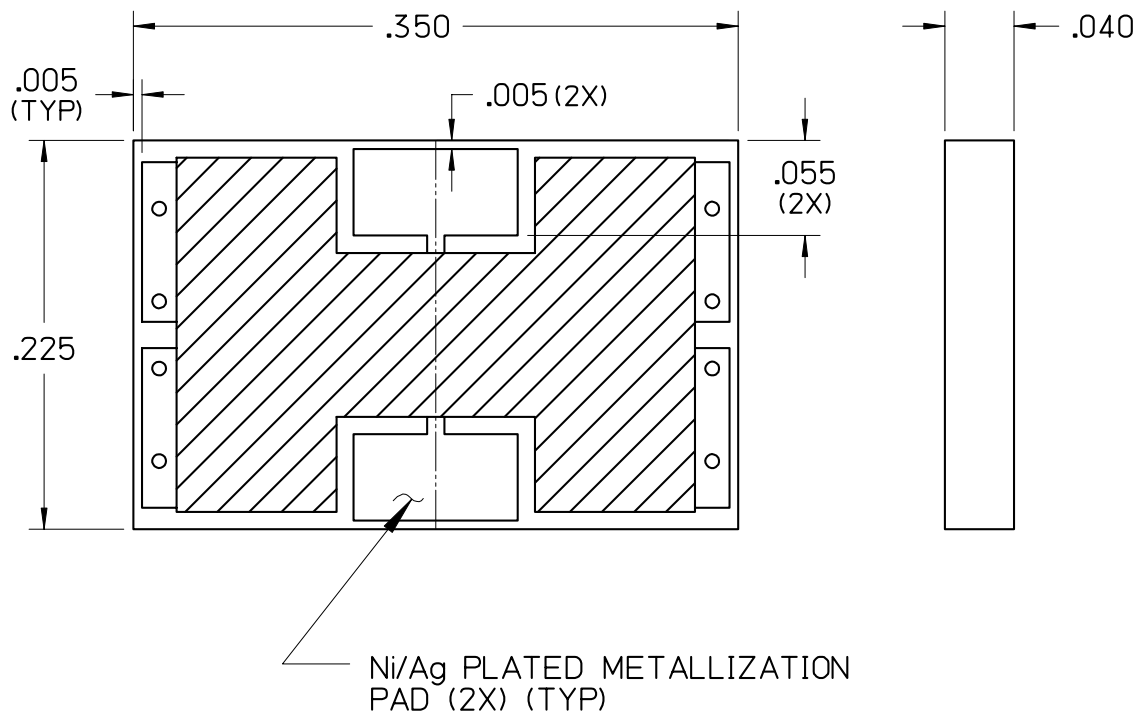




CA2335A0208C

AlN Chip Attenuator

Power: 120 Watts (CW)
Attenuation: 20 dB \pm 1.0 dB
VSWR: 1.2 :1
Frequency Range: DC to 3.5 GHz
Substrate: AlN



For detailed information regarding this product or sample request contact Johanson Sales



Johanson Manufacturing Corporation • 301 Rockaway Valley Road, Boonton, New Jersey 07005 • Phone 973.334.2676 • Fax 973.334.2954
STAY TUNED • ELECTRONIC ACCURACY THROUGH MECHANICAL PRECISION • WWW.JOHANSONMFG.COM

Nov 08