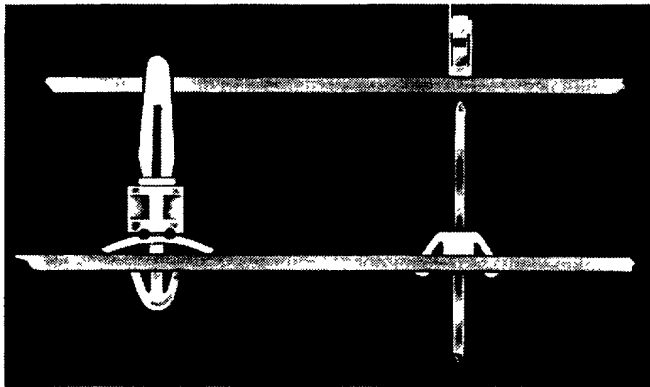


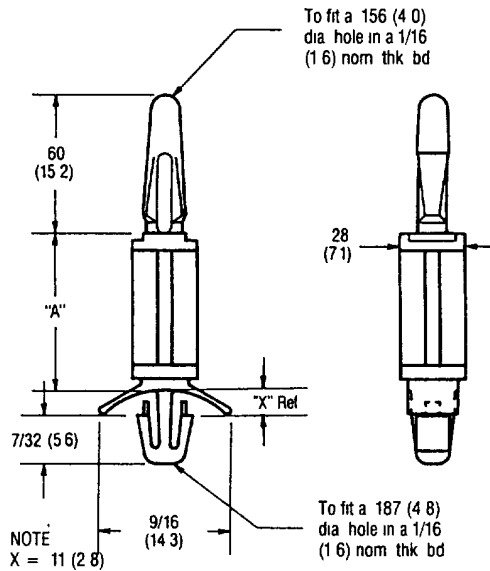


# CIRCUIT BOARD HARDWARE

## LONG NOSE CIRCUIT BOARD SUPPORT (LNCBS)

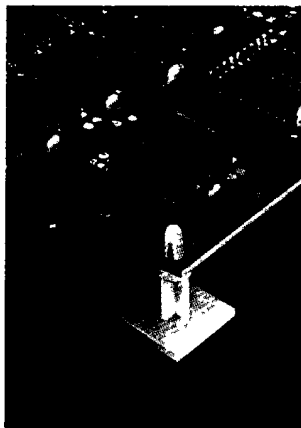


- Speeds assembly because long nose automatically locates and aligns connector pins with socket
- Installs with no tools
- Board lifts off easily to provide quick access to components
- Materials: Nylon 6/6, RMS-01, Flame Retardant Nylon, RMS-19
- Colour: Natural
- Standard Pack: 1000 per bag

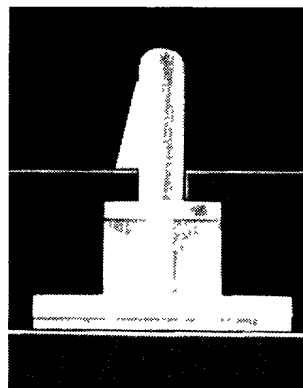


inches (mm)		
Part # Nylon	Part # Flame Retardant	"A"
LNCBS-3-01	LNCBS-3-19	3/16 (4.8)
LNCBS-4-01	LNCBS-4-19	1/4 (6.4)
LNCBS-6-01	LNCBS-6-19	3/8 (9.5)
LNCBS-8-01	LNCBS-8-19	1/2 (12.7)
LNCBS-10-01	LNCBS-10-19	5/8 (15.9)
LNCBS-12-01	LNCBS-12-19	3/4 (19.1)
LNCBS-14-01	LNCBS-14-19	7/8 (22.2)

## CIRCUIT BOARD SUPPORTS ON BASE (CBSB/LCBSB)



- Available without adhesive backing. For new "A" Dim., subtract 1/32" (.8 mm) from Dim. "A" and delete "A" from part number
- Adhesive, RMS-15



- Material: Nylon 6/6, RMS-01; Flame Retardant Nylon, RMS-19, available by special order
- Colour: Natural
- Standard Pack: 1000 per bag

inches (mm)	
Part #	"A"
CBSB-3-01A-RT	3/16 (4.8)
CBSB-4-01A-RT	1/4 (6.4)
CBSB-6-01A-RT	3/8 (9.5)
CBSB-8-01A-RT	1/2 (12.7)
CBSB-10-01A-RT	5/8 (15.9)
CBSB-12-01A-RT	3/4 (19.1)
CBSB-14-01A-RT	7/8 (22.2)
CBSB-16-01A-RT	1 (25.4)
CBSB-18-01A-RT	1-1/8 (28.6)

inches (mm)	
Part #	"A"
LCBSB-3-01A-RT	3/16 (4.8)
LCBSB-4-01A-RT	1/4 (6.4)
LCBSB-6-01A-RT	3/8 (9.5)
LCBSB-8-01A-RT	1/2 (12.7)
LCBSB-10-01A-RT	5/8 (15.9)
LCBSB-12-01A-RT	3/4 (19.1)
LCBSB-14-01A-RT	7/8 (22.2)
LCBSB-16-01A-RT	1 (25.4)
LCBSB-18-01A-RT	1-1/8 (28.6)

