

# POB-Technology

*POB-Technology*

## Dual-I/O

Price: €39.00

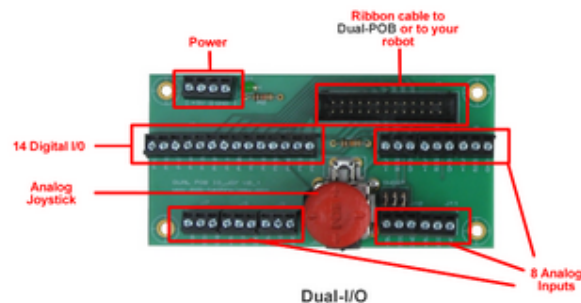


### Description

The **Dual-I/O** is a connectors board for the **Dual-POB** which can be used to easily connect your sensors and actuators with a screwdriver. **POB** has kept the joystick of all the POB robots to enhance interactivity between the robot and the user.

The **Dual-I/O** is connected to the **Dual-POB** with a ribbon cable. It is very useful to connect and disconnect your **Dual-POB** from the robot and to use it on an other robot or for an other course.

### Technical features



- 1 power connector 5V
- 14 screw connectors for the digital I/O
- 8 screw connectors for the analog inputs
- 1 ribbon cable to connect to the Dual-POB
- 1 analog joystick

Dimensions: 10cm x 5cm

**Package content:**

- One Dual-I/O
- One ribbon cable

[Vendor Information](#)