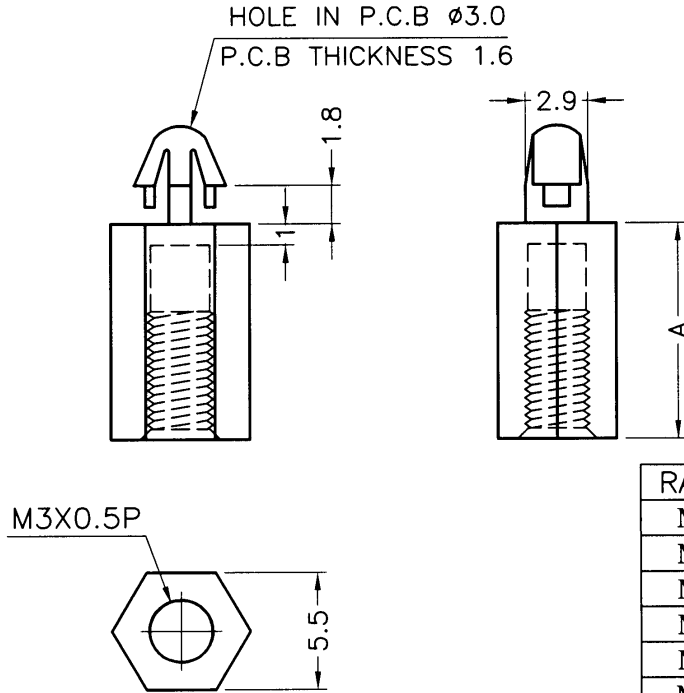


| 成型尺寸 | 公差 |
|----------|------|
| 5mm以下 | ±0.2 |
| 5~20mm | ±0.3 |
| 20~40mm | ±0.4 |
| 40~60mm | ±0.5 |
| 60~100mm | ±0.8 |
| 100mm以上 | ±1.0 |

| REVISIONS | | | |
|-----------|-------------|------|----|
| REV | DESCRIPTION | DATE | BY |
| | | | |
| | | | |



| PART NO. | A |
|----------|------|
| MAE-5T | 5.0 |
| MAE-6T | 6.0 |
| MAE-7T | 7.0 |
| MAE-8T | 8.0 |
| MAE-9T | 9.0 |
| MAE-10T | 10.0 |
| MAE-12T | 12.0 |
| MAE-17T | 17.0 |
| MAE-19T | 19.0 |
| MAE-22T | 22.0 |
| MAE-26T | 26.0 |

QMF22 Component - Plastics
E I DUPONT DE NEMOURS & CO INC
ENGINEERING POLYMERS CHESTNUT RUN PLAZA PO BOX 80713 WILMINGTON DE 19880

Wednesday, September 15, 2004

E41938

Material Designation: 101(+)(f1), 101F(+)(f1), 101L(+)(f1), E101(+)(f1), E101L(f1), 132F(+)(f1), 135F(+)(f1)
Product Description: Polyamide 66 (PA66), designated "Zytel" furnished as pellets.

| Color | Min. Thick. (mm) | Flame Class | HWI | HAI | RTI Elec | RTI Imp | RTI Str | IEC GWIT | IEC GWIT |
|-------|------------------|-------------|-----|-----|----------|---------|---------|----------|----------|
| ALL | 0.71 | V-2 | 4 | 0 | 130 | 75 | 85 | 725 | 960 |
| | 1.5 | V-2 | 3 | 0 | 130 | 75 | 85 | 750 | 960 |
| | 3 | V-2 | 2 | 0 | 130 | 75 | 85 | 800 | 960 |
| | 6 | V-2 | 2 | 0 | 130 | 75 | 85 | 800 | 960 |

CTI: 0 HVTR: 0 D495: 6 IEC Ball Pressure (C):
Dielectric Strength (kV/mm): 13 Volume Resistivity (10¹⁵ohm-cm): 14 Dimensional Stability (%):
ISO Tensile Strength (MPa): ISO Flexural Strength (MPa): ISO Heat Deflection (C):
ISO Tensile Impact (kJ/m²): ISO Izod Impact (kJ/m²): ISO Charpy Impact (kJ/m²):

(+) Virgin and regrind up to 50% by weight inclusive, have the same basic material characteristics.
(f1) Suitable for outdoor use with respect to exposure to Ultraviolet Light, Water Exposure and Immersion in accordance with UL 746C.

NOTE (1) Material designations that are color pigmented may be followed by suffix letters and numbers. (2) Material designations may be prefixed by "ZYT" or "MIN" or "ZEN" or "DEL" or "CRA" or "RYN".

Report Date: 7/29/1996

Underwriters Laboratories Inc®

UL94 small-scale test data does not pertain to building materials, furnishings and related contents. UL 94 small-scale test data is intended solely for determining the flammability of plastic materials used in components and parts of end-product devices and appliances, where the acceptability of the combination is determined by UL1.

| | | | | | | | |
|--|----------------|------|--------------------------------------|--|----------|--|------------|
| <p>康揚企業股份有限公司 KANG YANG HARDWARE ENTERPRISE CO., LTD. 康揚塑膠(東莞)有限公司 KANG YANG PLASTIC(DONG GUAN) CO., LTD. 康哲電腦配件(吳江)有限公司 KANG CHE COMPUTER COMPONENTS(WUJIANG) CO., LTD.</p> | TITLE | | PC板間隔柱 | | 產品規格圖面 | | |
| | MATERIAL | | NYLON 66 UL94V-2 | | DATE | | 2000.12.27 |
| | FINISH | | | | DRAWN | | AMY |
| | COLOR | | NATURAL | | CHECK | | 童智通 |
| PART NUMBER | DRAWING NUMBER | | UNLESS OTHERWISE SPECIFIED TOLERANCE | | APPROVED | | Kang |
| SEE ABOVE | MAE-6T | | SEE ABOVE | | | | |
| SIZE | SCALE | UNIT | REV | | | | |
| A4 | NONE | mm | B | | | | |