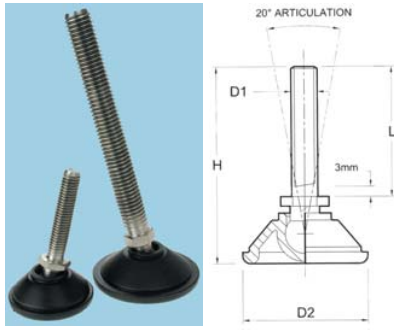


Leveling Feet Pad Plastic, Bolt Stainless Steel



Material
 Pad: polyamide reinforced nylon.
 Bolt: Stainless steel, 303.

489350

Thread Size	l (mm)	d2 (mm)	h (mm)	Max. Load For Static Load Maxium(Kg)	Order Code	Price Each
M6	20	50	43	300	137-9160	
M6	40	50	63	300	137-9159	
M8	60	40	81	450	137-9158	
M8	60	50	83	450	137-9156	
M10	75	40	96	500	137-9155	
M10	75	75	98	500	137-9154	
M12	75	40	98	600	137-9153	
M12	75	50	100	600	137-9152	
M12	125	40	148	600	137-9151	
M12	125	50	150	600	137-9149	