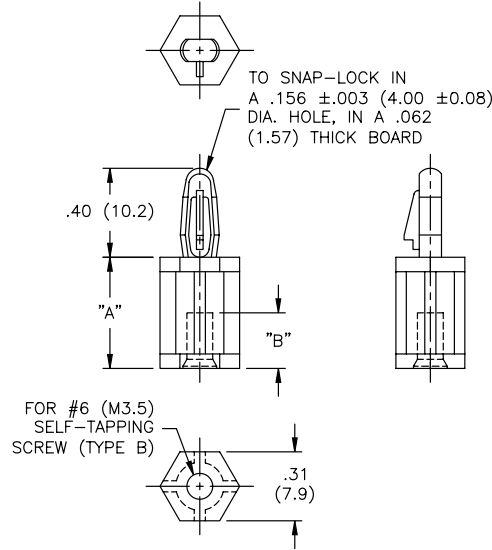


CIRCUIT BOARD HARDWARE

A

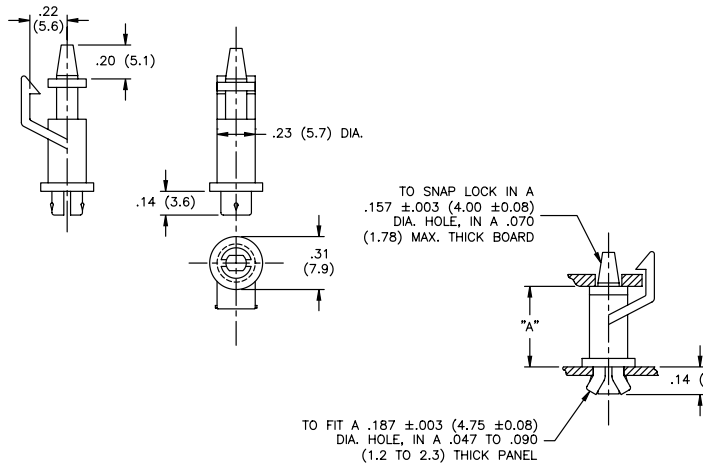
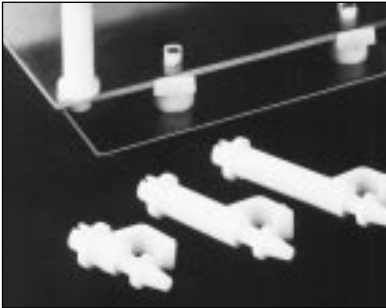
TCBS Series Screw Mount Circuit Board Support



Material: Nylon 6/6, RMS-01 or Flame Retardant Nylon, RMS-19 / Color: Natural

| Nylon Part No. | Flame Retardant Nylon Part No. | Standard Pack: |
|----------------|--------------------------------|----------------------------------|
| | | 1000 per bag "A" ± .015 (0.4) |
| TCBS-4-01 | TCBS-4-19 | 1/4 (6.4) |
| TCBS-6-01 | TCBS-6-19 | 3/8 (9.5) |
| TCBS-8-01 | TCBS-8-19 | 1/2 (12.7) |
| TCBS-10-01 | TCBS-10-19 | 5/8 (15.9) |
| TCBS-12-01 | TCBS-12-19 | 3/4 (19.1) |
| TCBS-14-01 | TCBS-14-19 | 7/8 (22.2) |
| TCBS-16-01 | TCBS-16-19 | 1 (25.4) |
| TCBS-18-01 | TCBS-18-19 | 1 - 1/8 (28.6) |
| TCBS-20-01 | TCBS-20-19 | 1 - 1/4 (31.8) |
| TCBS-22.5-01 | TCBS-22.5-19 | 1 - 13/32 (35.7) |

REHCBS Series Rivet Edge Hold Circuit Board Support



Material: Nylon 6/6, RMS-01
Color: Natural

| Part No. | Standard Pack: |
|----------------|----------------------------------|
| | 1000 per bag "A" ± .015 (0.4) |
| REHCBS-4-01 | 1/4 (6.4) |
| REHCBS-5-01 | 5/16 (7.9) |
| REHCBS-6-01 | 3/8 (9.5) |
| REHCBS-8-01 | 1/2 (12.7) |
| REHCBS-10.4-01 | 0.65 (16.5) |
| REHCBS-11-01 | 11/16 (17.5) |
| REHCBS-12-01 | 3/4 (19.1) |
| REHCBS-14-01 | 7/8 (22.2) |
| REHCBS-16-01 | 1 (25.4) |
| REHCBS-19.2-01 | 1.2 (30.5) |
| REHCBS-20-01 | 1 - 1/4 (31.8) |

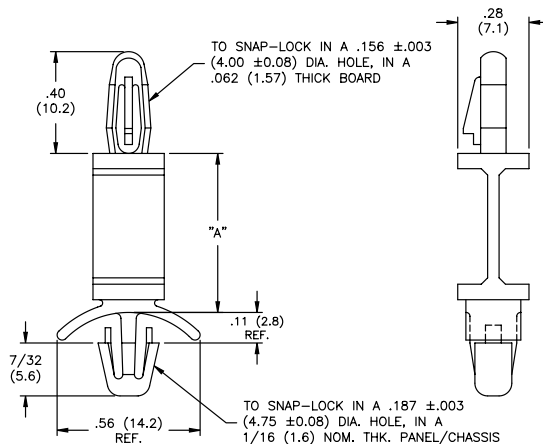
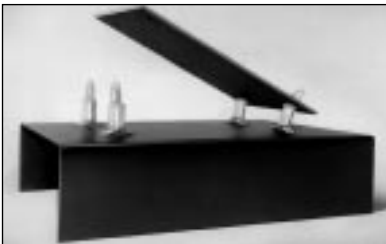
Features

- REHCBS-T assembly tool sold separately

REHCBS-T



FLCBSU Series Flexible Circuit Board Support "U" Style



Material: Nylon 6/6, RMS-01
Color: Natural

| Part No. | Standard Pack: |
|--------------|----------------------------------|
| | 1000 per bag "A" ± .015 (0.4) |
| FLCBSU-6-01 | 3/8 (9.5) |
| FLCBSU-7-01 | 7/16 (11.1) |
| FLCBSU-8-01 | 1/2 (12.7) |
| FLCBSU-10-01 | 5/8 (15.9) |
| FLCBSU-12-01 | 3/4 (19.1) |
| FLCBSU-14-01 | 7/8 (22.2) |
| FLCBSU-16-01 | 1 (25.4) |
| FLCBSU-18-01 | 1 - 1/8 (28.6) |
| FLCBSU-20-01 | 1 - 1/4 (31.8) |
| FLCBSU-22-01 | 1 - 3/8 (34.9) |

Features

- Flexible spacer allows access to underside of board for maintenance and repair; use with Richco LSBS Series