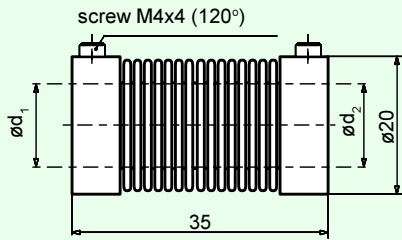


## Bellows coupling 9409

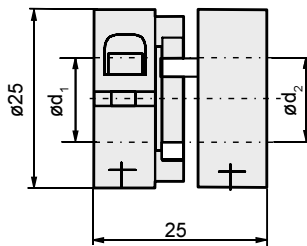


d <sub>1</sub>	6	6	10	12
d <sub>2</sub>	6	8	10	12

### Technical Data

Max. rpm	8000 min <sup>-1</sup>
Nominal torque	0.8 Nm
Max. radial mismatch	± 0.3 mm
Max. angle error	± 4 Grad
Max. axial mismatch	± 0.5 mm
Moment of inertia	22 kgm <sup>2</sup> · 10 <sup>-7</sup>
Binding posts	M4 (DIN 916)
Max. torque	150 Ncm
Material	Cu Zn 20 nickel-faced
Weight	≈ 34 g

## Precision coupling 9410

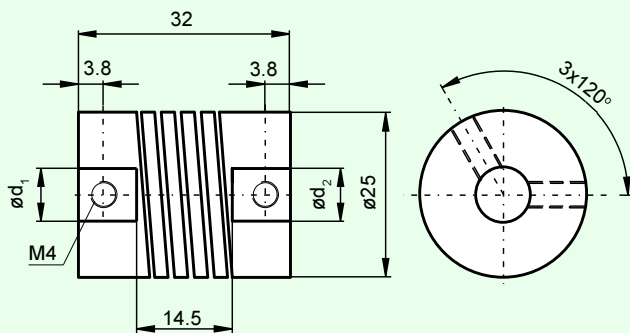


d <sub>1</sub>	6	10	12	12	16
d <sub>2</sub>	6	10	12	12	16

### Technical Data

Max. rpm	15 000 min <sup>-1</sup>
Nominal torque	1 Nm
Max. radial mismatch	0.5 mm
Max. angle error	1.5 °
Max. axial mismatch	0.3 mm
Moment of inertia	20 kgm <sup>2</sup> · 10 <sup>-7</sup>
Binding posts	M3
Max. torque	130 Ncm
Material	Delrin 107, AlMgSi 1 hard covered
Weight	≈ 25 g

## Coupling KW- d<sub>1</sub>/d<sub>2</sub>



d <sub>1</sub>	d <sub>2</sub>	order number
6	6	KW-6/6
6	8	KW-6/8
6	10	KW-6/10
10	10	KW-10/10
12	12	KW-12/12

### Technical Data

Max. rpm	8000 min <sup>-1</sup>
Nominal torque	0.8 Nm
Max. radial mismatch	± 0.3 mm
Max. angle error	± 4 °
Max. Axialversatz	± 0.5 mm
Moment of inertia	22 kgm <sup>2</sup> · 10 <sup>-7</sup>
Binding posts	M4 (DIN 916)
Max. torque	150 Ncm
Material	Cu Zn 20 nickel-faced
Weight	≈ 34 g

Date of issue 01.08.1998