

This catalogue shows a selection of the more popular types of manual control friction and gear reduction drives and accessories.

These components are used throughout the world wherever fine adjustment is required and are in daily use in a variety of applications including signal generators, wave analysers, oscilloscopes, communication and medical diagnostic equipment.

Our tool room, machine shop and design staff are at all times ready and willing to adapt any of these standard products to meet individual requirements.

All items can be manufactured and supplied as proprietary items under DEF STAN 0521.

Please note we also manufacture and would welcome your enquiries for:

Tuning Capacitors
Trimmer Capacitors
High Voltage Capacitors
Terminal Strips
Stand-Off Insulators

Please ask for literature.

Ce catalogue présente une sélection de nos modèles les plus vendus de commandes manuelles, entraînements à friction et réducteurs engrenages, et accessoires.

Ces composants sont utilisés par les fabricants du monde entier pour les réglages fins, et en particulier dans de nombreuses applications type générateurs de signaux, analyseurs d'ondes, oscilloscope, et matériel de communications et de diagnostic médical.

Nos installations de fabrication et notre bureau d'étude sont à votre disposition pour adapter l'un de ces produits standard à vos besoins spécifiques.

Tous nos produits doivent être fabriqués et fournis conformément à la norme défense britannique DEF STAN 0521.

Veillez également noter que nous fabriquons et distribuons les produits suivants:

- **condensateurs d'accord**
- **trimmers**
- **condensateurs HT**
- **plaquettes de connection**
- **isolateurs séparés**

Littérature sur demande.

In diesem Katalog finden Sie eine Auswahl gängiger Reibungs- und Zahnraduntersetzungsantriebe mit manueller Regelung.

Diese Antriebe, die sich überall dort eignen, wo es auf eine genaue Feineinstellung ankommt, befinden sich weltweit in den verschiedensten Bereichen im Einsatz, z.B. bei Meßsendern, Frequenzanalysatoren, Oszilloskopen, Kommunikationseinrichtungen und medizinischen Diagnosegeräten.

Unser Personal in Werkzeugraum, Maschinenwerkstatt und Konstruktion ist jederzeit gern bereit, diese Standardprodukte an den Bedarf einzelner Kunden anzupassen.

Sämtliche Artikel können exklusiv nach DEF STAN 0521 (brit. Verteidigungsnorm) hergestellt und geliefert werden.

Des weiteren produzieren wir folgende Artikel, für die wir gern Ihre Anfragen entgegennehmen:

Abstimmkondensatoren
Trimmerkondensatoren
Hochspannungskondensatoren
Klemmenleisten
Abstandsisolatoren

Bitte verlangen Sie Prospektmaterial.

In questo catalogo sono illustrati alcuni dei tipi più popolari di unità di comando ed accessori di frizione a comando manuale e di riduzione ad ingranaggi.

Questi componenti vengono ampiamente impiegati in tutto il mondo laddove sia richiesta una regolazione precisa e vengono usati quotidianamente in svariate applicazioni, tra cui generatori di segnali, analizzatori d'onda, oscilloscopi, attrezzature per comunicazioni e attrezzature diagnostiche mediche.

Il personale dei nostri reparti attrezzi, macchine e progettazione è sempre pronto ad adattare questi prodotti standard ai requisiti particolari dei singoli clienti.

Tutti gli articoli possono essere prodotti e forniti come articoli brevettati secondo i termini DEF STAN 0521.

Si prega di notare che produciamo anche le seguenti attrezzature, su cui possono essere richieste informazioni:

Condensatori di sintonia
Compensatori
Condensatori d'alta tensione
Morsettiere
Isolatori portanti

Chiedete il materiale illustrativo.

Este catálogo muestra una selección de los tipos más populares de transmisiones de reducción por engranajes y por fricción, de control manual, y accesorios.

Estos componentes se utilizan en todo el mundo dondequiera que se requiera un ajuste preciso, estando en uso continuo en una variedad de aplicaciones, incluyendo generadores omniondas, analizadores de la onda, osciloscopios, y equipo médico para diagnósticos y de comunicaciones.

Nuestro personal de diseño y en los talleres de herramientas y mecánico están dispuestos a colaborar en todo momento para adaptar cualesquier de estos productos estándar a las necesidades individuales de cada cliente.

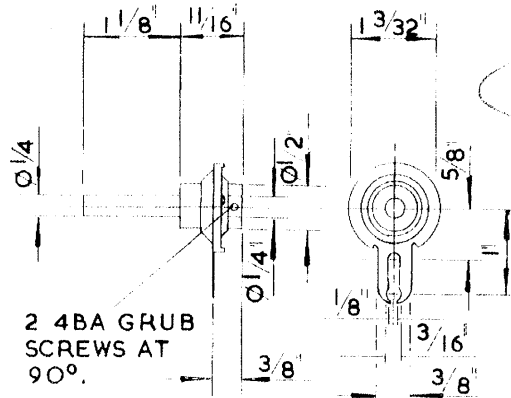
Se pueden fabricar y suministrar todos los artículos como artículos de marca bajo DEF STAN 0521.

También fabricamos y tendremos gusto en recibir sus consultas para los siguientes artículos:

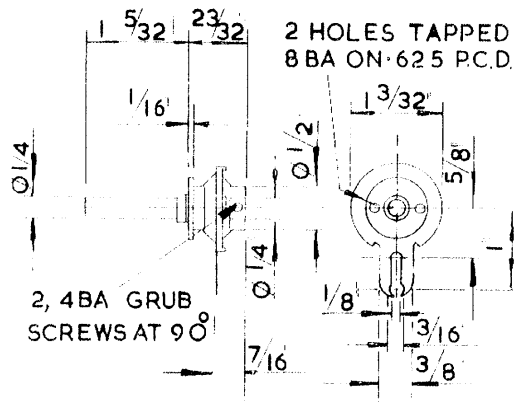
Capacitores de sintonización
Capacitores de corrección
Capacitores de alto voltaje
Cinta para terminales
Aisladores distanciadores

Gustosamente suministraremos literatura a solicitud.

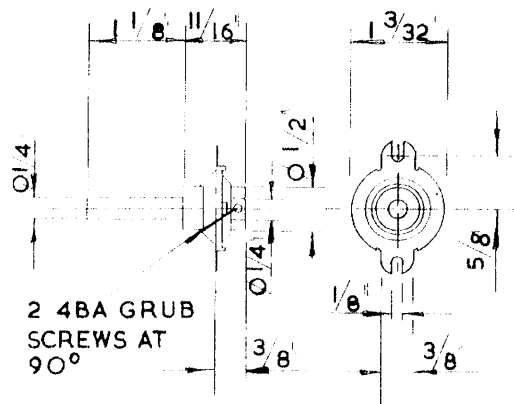
Jackson Drives, Couplings, Accessories



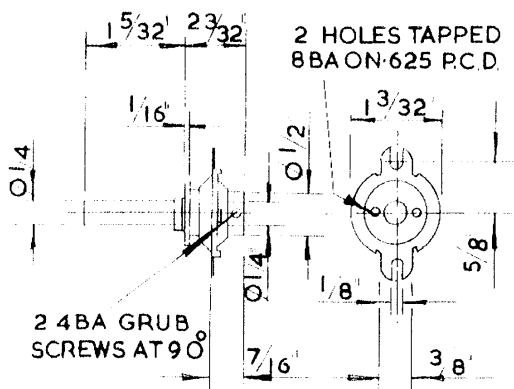
CAT. NO. 4511



CAT. NO. 4511/F



CAT. NO. 4511/DA



CAT. NO. 4511/DAF

Please note for all 4511 Series, Shaft length and diameter plus Fixing Bush bore and threads are available in metric sizes on request.

“DA” = Double Anchor Fixing Cage.

“F” = Dial or Pointer Flange directly coupled to Output Shaft.

With our fully equipped machine shop facilities we can quote for special Shaft and Bush Configurations to your Drawing to suit your own needs.

All the Ball Drives shown on this page have a Reduction Ratio of 6:1 (approx.).

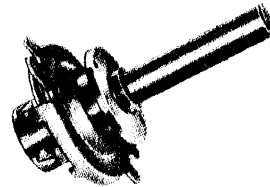
Working Temperature Range:—
0°C to +55°C.

Storage Temperature Range:—
-40°C to +70°C.

They all offer the following Torque Values:—

Output:— >26oz. ins. 1.8kgm cm.

Input:— <3oz. ins. 216gm cm.



These Reverse Vernier Ball Drives offer direct drive plus approx. 6:1 Reduction Ratio RV action.

Working Temperature Range:—
0°C to +55°C.

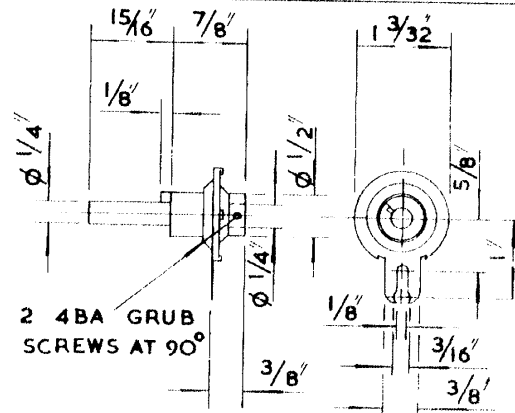
Storage Temperature Range:—
-40°C to +70°C.

They both offer Torque Values as follows:—

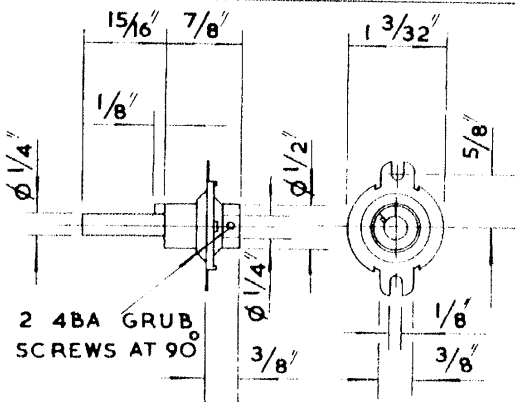
Output (slow):— >10oz. ins. 700gm cm.

Input (fast):— <20oz. ins. 1.45kgm cm.

Input (slow):— <3oz. ins. 216gm cm.



CAT. NO. 4511/RV



CAT. NO. 4511/DARV

One Coaxial Shaft provides Fast Drive approx. 6:1 Ratio with Reverse Vernier Action 30:1 (approx.).

Working Temperature Range:—
0°C to +55°C.

Storage Temperature Range:—
-40°C to +70°C.

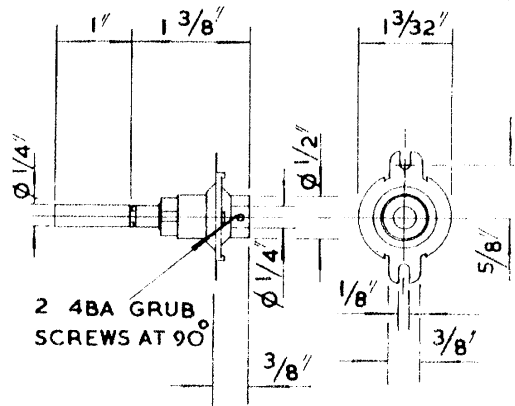
Torque Values:—

Output (slow):— >15oz. ins. 1.08kgm cm.

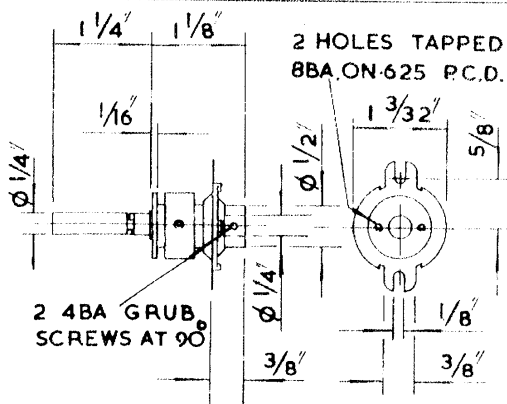
Output (fast):— >24oz. ins. 1.7kgm cm.

Input (slow):— <3oz. ins. 216gm cm.

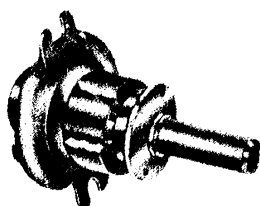
Input (fast):— >7oz. ins. 500gm cm.



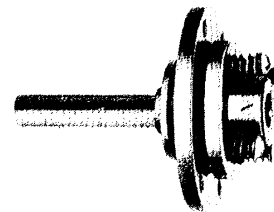
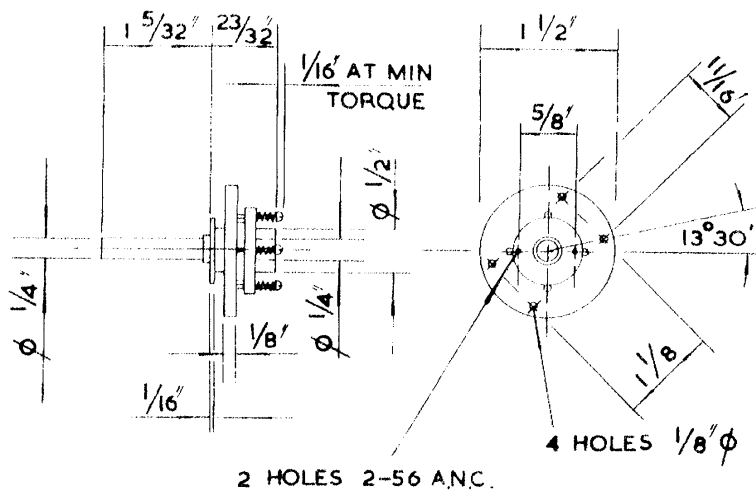
CAT. NO. 4511/DR



CAT. NO. 4511/DRF



Jackson Drives, Couplings, Accessories



ADJUSTABLE TORQUE BALL DRIVE CAT. NO. 5620

Reduction Ratio:— 6:1 (approx.).

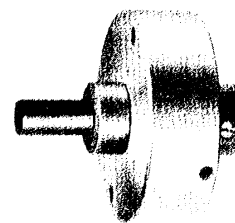
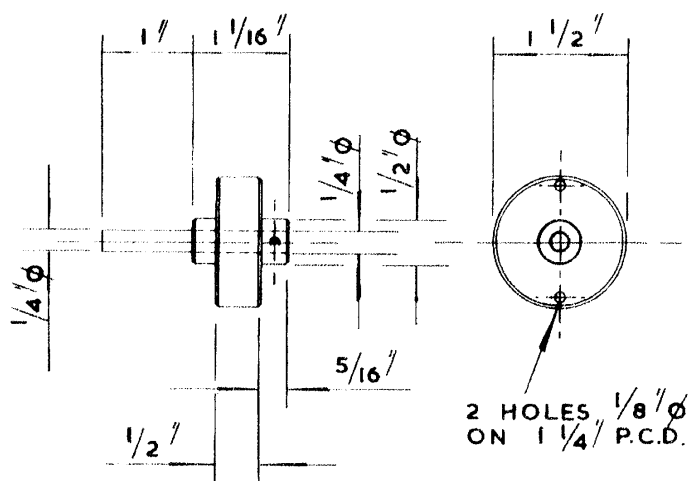
Working Temperature Range:—
0°C to +55°C.

Storage Temperature Range:—
-40°C to +70°C.

Output Torque can be adjusted by users to suit their own application.

Minimum Recommended Setting:—
20oz. ins. 1.45Kg cm.

Maximum Recommended Setting:—
60oz. ins. 4.3Kg cm.



HEAVY DUTY EPICYCLIC DRIVE CAT. NO. 5670

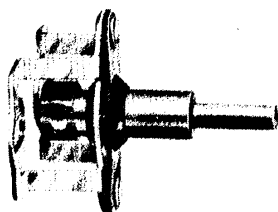
Reduction Ratio:— 6:1 (approx.).

Working Temperature Range:—
0°C to +55°C.

Storage Temperature Range:—
-40°C to +70°C.

The shaft and ball races are specially machined, ground and hardened to provide an *Output Torque* in excess of 100oz. ins. (7.2Kg cm).

ADJUSTABLE TORQUE BALL • HEAVY DUTY EPICYCLIC • MINI BALL • 10:1 BALL DRIVES

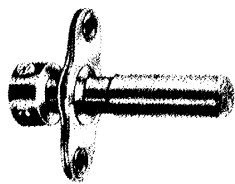
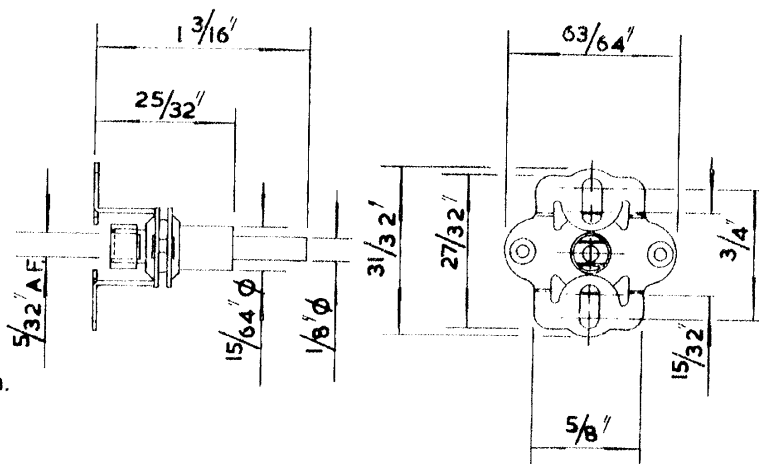


**MINI BALL DRIVE
CAT. NO. 5690**

Reduction Ratio:— 5:1 (approx.).

Output Torque:— >10oz. ins. 720gm cm.

The Mounting Bracket is designed to fit directly to many of the solid dielectric variable Capacitors currently in use throughout the world.



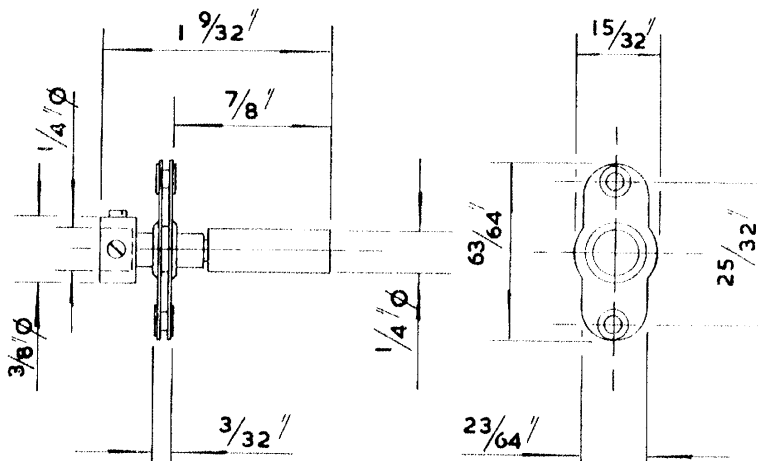
**10:1 BALL DRIVE
CAT. NO. 6020**

Reduction Ratio:— 10:1 (approx.).

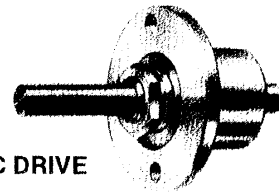
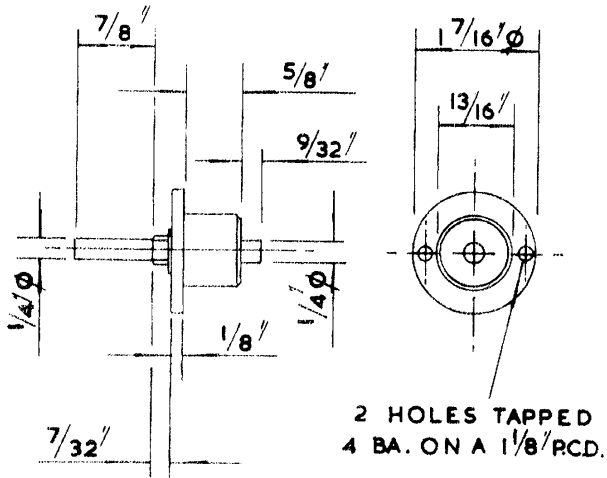
Output Torque:— >8oz. ins. 570gm cm.

Holes in Mounting Bracket suitable for clearance of 2 8BA or 2 M2.5 Screws.

Bore and shaft available $\frac{1}{4}''$ or 6mm diameter.



Jackson Drives, Couplings, Accessories



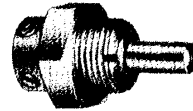
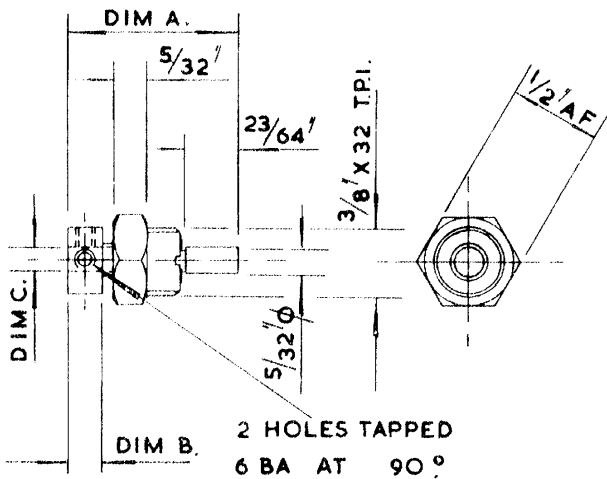
**10:1 EPICYCLIC DRIVE
CAT. NO. 5857**

Reduction Ratio:— 10:1 (approx.).

Working Temperature Range:—
0°C to +55°C.

Storage Temperature Range:—
-40°C to +70°C.

Output Torque:— >30oz. ins. 2Kg cm.

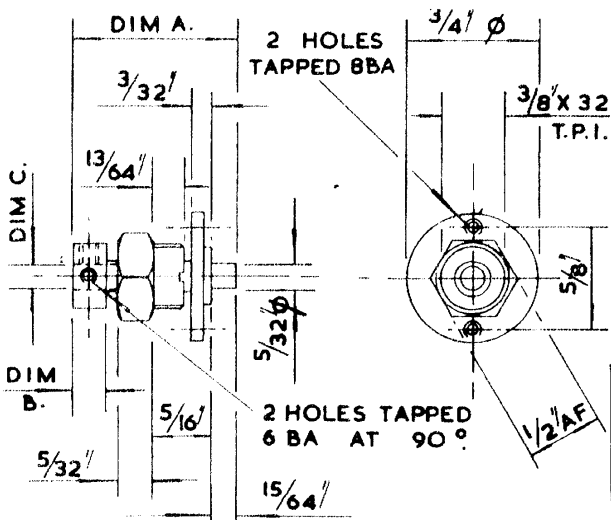


**MINIATURE 10:1 DRIVE UNIT
CAT. NO. 5870**

Reduction Ratio:— 10:1 (approx.).

Output Torque:— >8oz. ins. 570gm cm.

5870/3	.945 / 24MM	.196 / 5MM	1/4 /
5870/2	.945 / 24MM	.196 / 5MM	6MM
5870/1	29/32 / 23MM	157 / 4MM	4MM
PART N°	DIM . A .	DIM . B .	DIM . C .



**MINIATURE 10:1 FLANGED DRIVE UNIT
CAT. NO. 5870/F**

Reduction Ratio:— 10:1 (approx.).

Output Torque:— >8oz. ins. 570gm cm.

5870/F/3	.945 / 24MM	.196 / 5MM	1/4 /
5870/F/2	.945 / 24MM	.196 / 5MM	6MM
5870/F/1	29/32 / 23MM	157 / 4MM	4MM
PART N°	DIM . A .	DIM . B .	DIM . C .

**EPICYCLIC REDUCTION DRIVE
CAT. NO. 4111/RV**

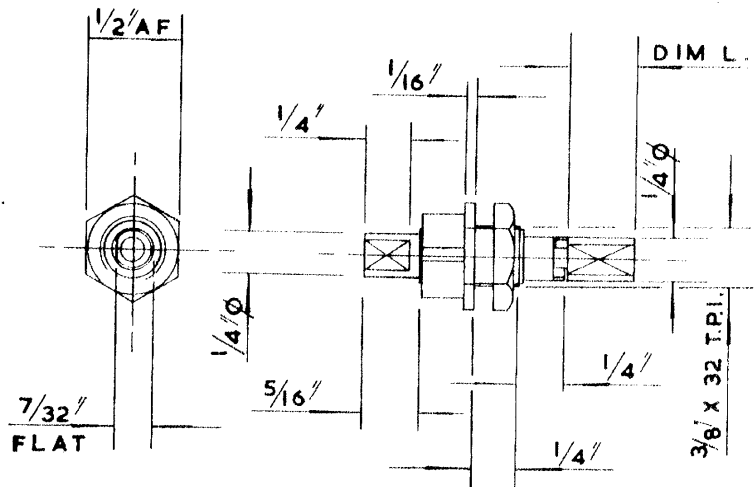
Reverse Vernier action provides
5:1 *Reduction Ratio* plus direct drive.

Input Torque (Slow):— <3oz. ins. 216gm cm.

Input Torque (Fast):— <10-20oz. ins.
700-1400gm cm.

Output Torque:— >8oz. ins. 570gm cm.

DIM. L. Standard 1" but can be varied in
 $\frac{1}{8}$ " increments from $\frac{1}{4}$ " to 1".
Please state clearly when ordering.



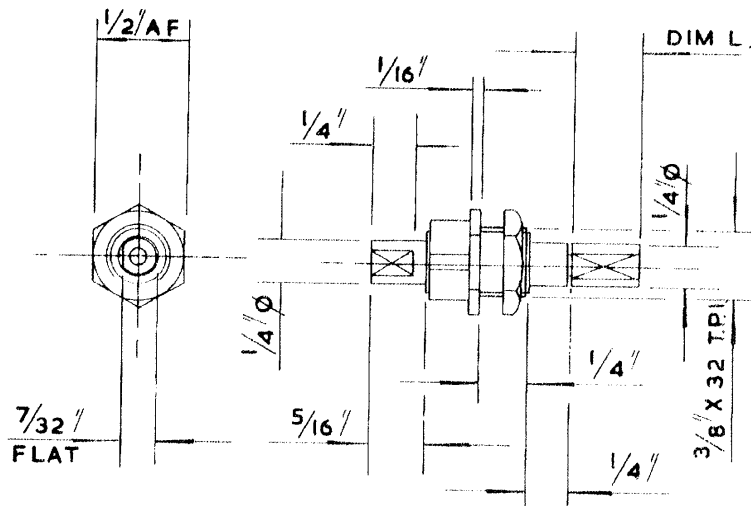
**EPICYCLIC REDUCTION DRIVE
CAT. NO. 4112**

Continuous Reduction Drive Ratio:— 5:1.

Input Torque:— <3oz. ins. 216gm cm.

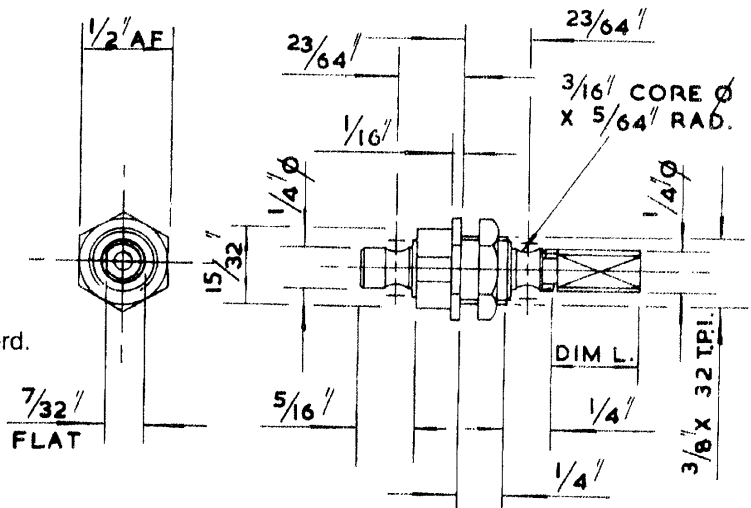
Output Torque:— >8oz. ins. 570gm cm.

DIM. L. Standard 1" but can be varied in
 $\frac{1}{8}$ " increments from $\frac{1}{4}$ " to 1".
Please state clearly when ordering.

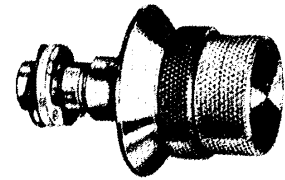
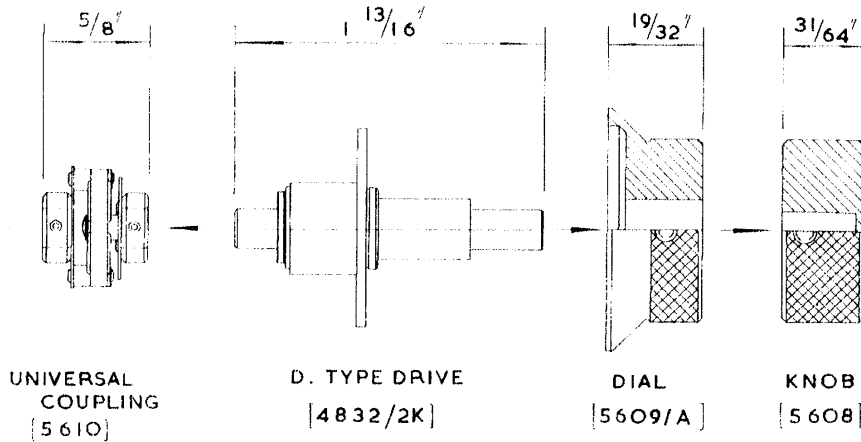


**EPICYCLIC CORD DRIVE
CAT. NO. 4113**

This drive is the same in all respects as
No. 4111/RV above except that suitably
radiused grooves are provided for driving cord.

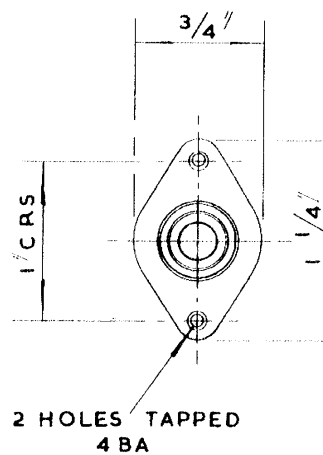
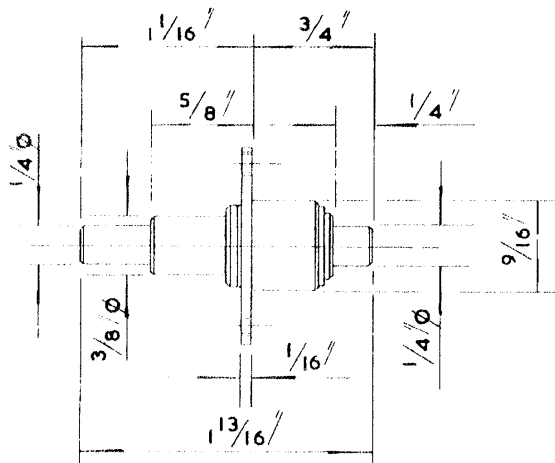


Jackson Drives, Couplings, Accessories



D TYPE 2 SPEED DRIVE UNIT
CAT. NO. 4832/2K/UNIT

The complete Unit comprises 4 parts fully assembled to make a compact 2 speed Drive of professional equipment performance and appearance. The Dial and Knob are turned, anodised aluminium.



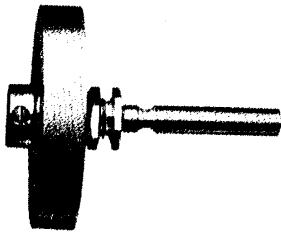
D TYPE DRIVE
CAT. NO. 4832/2K

Reduction Ratio:—
5½:1 (approx.).

Output Torque:—
>8oz. ins. 570gm cm.

Working Temperature Range:—
0°C to +55°C.

Storage Temperature Range:—
-40°C to +70°C.

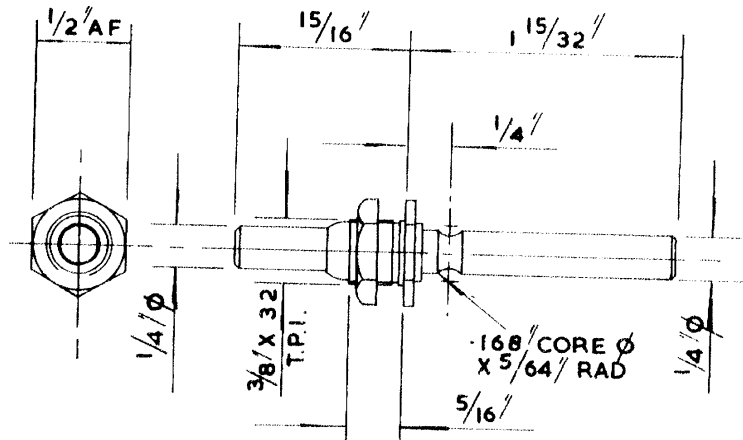


**BALL BEARING SPINWHEEL
CORD DRIVE
CAT. NO. 4589/BB**

The stainless steel shaft runs freely in ball bearings under the brass bush. In place of Ball Bearings we can offer this shaft with Nylon Rings between shaft and bush. The action is even smoother than with Ball Bearings but there is some loss of free running. The Cat. No. of this variation is 4589/NB.

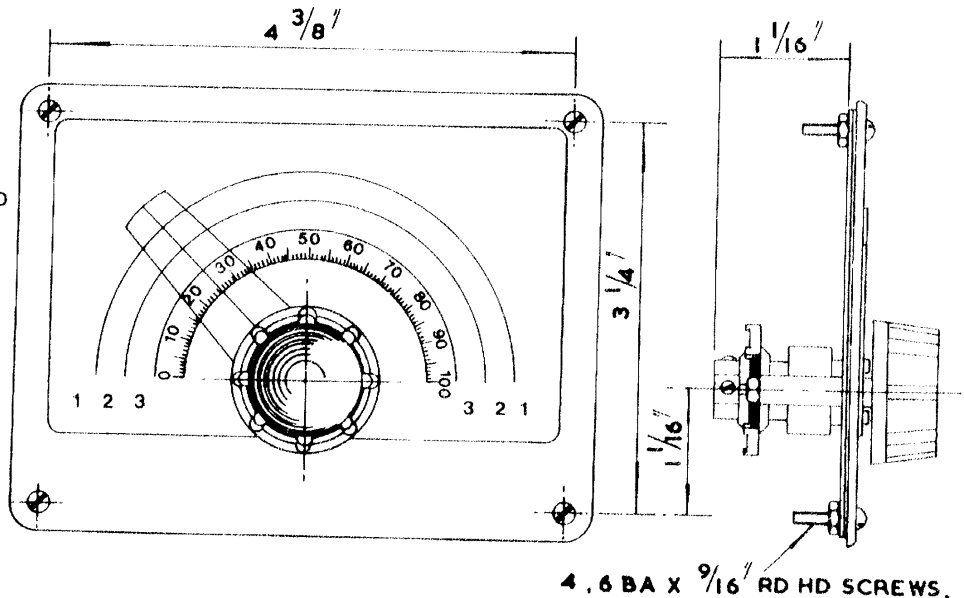
A cheaper alternative is a simple plain bearing, **Cat. No. 4589/PB.**

Used in conjunction with a flywheel, this supplies smooth and rapid traverse of a dial.

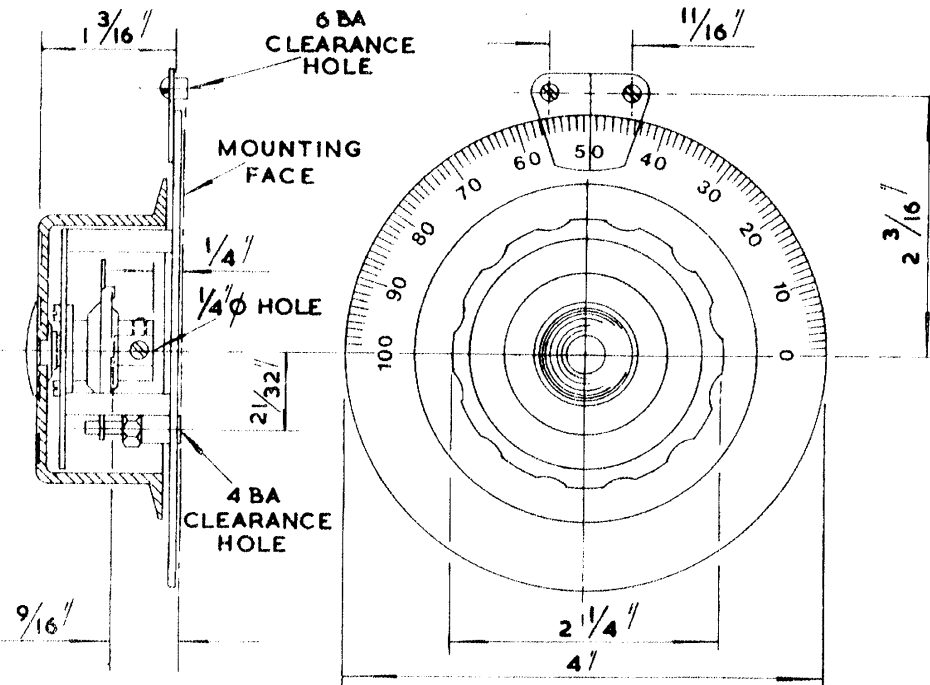


**NO. 6/36 DRIVE
CAT. NO. 4103/A**

Incorporating the Dual Ratio Ball Drive providing 36:1 Slow drive and 6:1 Fast drive under one Knob with co-axial control. Scale is calibrated 0-100 and provides for individual calibration. The unit consists of aluminium back plate, drive unit, scale, spare scale, transparent cover, hair-line pointer, escutcheon and knob. Fits in front of panel which may be any thickness up to $3/8"$ (or more by providing longer screws).



Jackson Drives, Couplings, Accessories

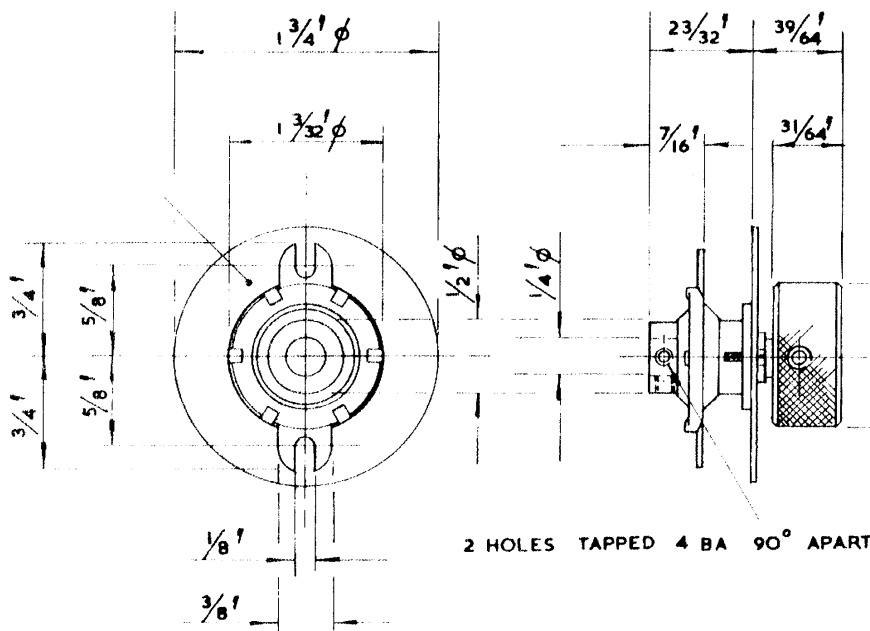


BALL DRIVE DIAL CAT. NO. 4489/C

Specification:—
Aluminium Scale.
Black Plastic Knob.
Jackson Ball Drive Unit
incorporated within Knob.
Other Parts Brass.

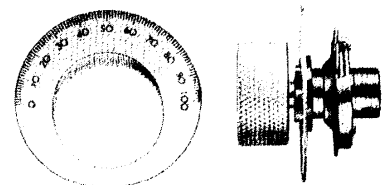
Friction Drive Ratio:—
6:1 (approx.).

The Scale is reversible. One
side printed as shown, the
other left plain for customer
to engrave.



ALUMINIUM DIAL DRIVE CAT. NO. 4090

Consists of a dial knob,
scale and a Jackson Ball
Drive with a 6:1 reduction
giving an output torque of
26oz. in. with an input torque
of less than 3oz. in.
The 1" diameter dial knob
is diamond knurled.
The 1 3/4" scale dial is
anodised aluminium.



BALL DRIVE DIAL • ALUMINIUM DIAL DRIVE • TYPE G1 • G10 GEAR DRIVES

**G1 GEAR DRIVE UNIT
CAT. NO. 5160**

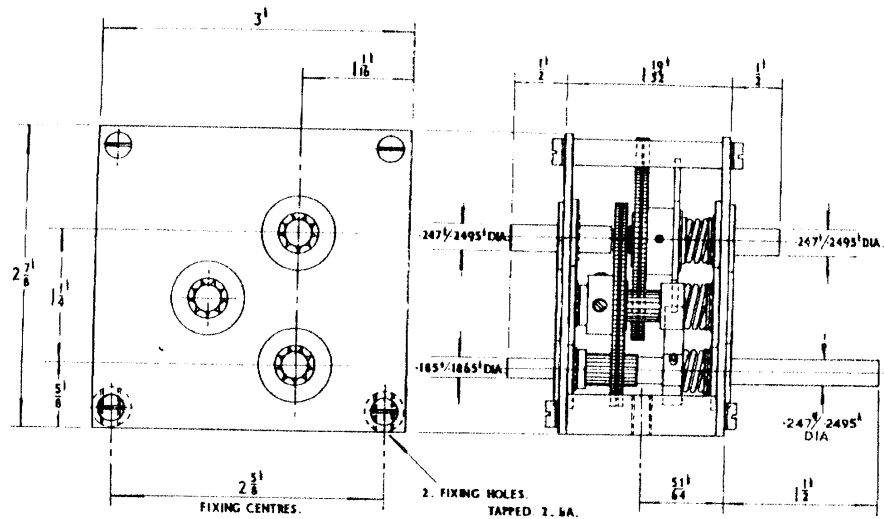
Specification:—

Ratio precisely 56:25:1.
Spring Loaded Gears and
Ball Bearings ensure
permanent freedom from
Backlash.
Positive End Stops for
180 degrees Travel of Driven
Spindle.

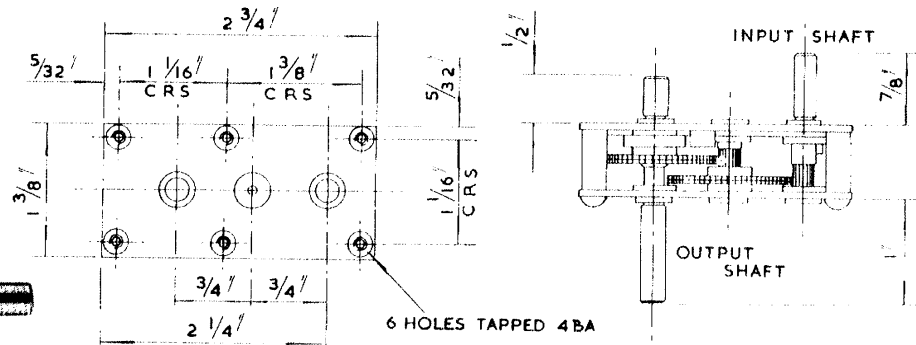
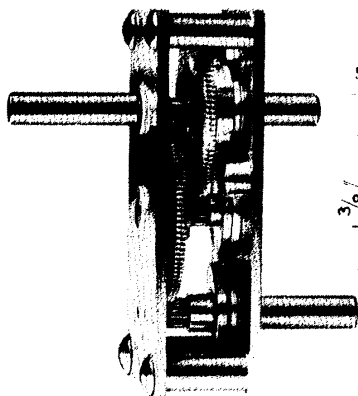
Maximum Torque
transmitted 30oz. inches
2.16kgm cm.

Material:—

Stainless Steel — Spindles.
Steel — Frame.
Brass — Gears.
Finish — To DEF. 5000.



Load of 14lbs./ins. may be
applied to the Input Shaft
when the End Stops are in
engagement without
causing damage.

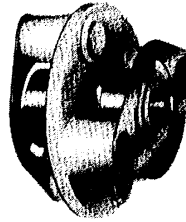


**TYPE G10 GEAR DRIVE
CAT. NO. 12000**

The aim of this Gear Box is
to give 10 turns of the input
shaft to one effective
rotation of the output
assuming the driven
component to which it is
joined is operating between
stops as per the above table.
The gears are fully spring-
loaded for anti-backlash.
The output torque is greater
than 700gm. cm.

12000/3	25 · 1	144°
12000/2	20 · 1	180°
12000/1	12 · 1	300°
PART NO	OVERALL RATIO	ANGLE OF ROTATION OF OUTPUT SHAFT, FOR TEN TURNS OF INPUT SHAFT

Jackson Drives, Couplings, Accessories



UNIVERSAL COUPLING CAT. NO. 4693

Constant Velocity:—
No lost motion.

Misalignment Capacity:—
.040 linear and/or
15° angular.

Capacitance
(side to side, one earthed):—
2½ pF.

Breakdown Voltage:— 5KV.

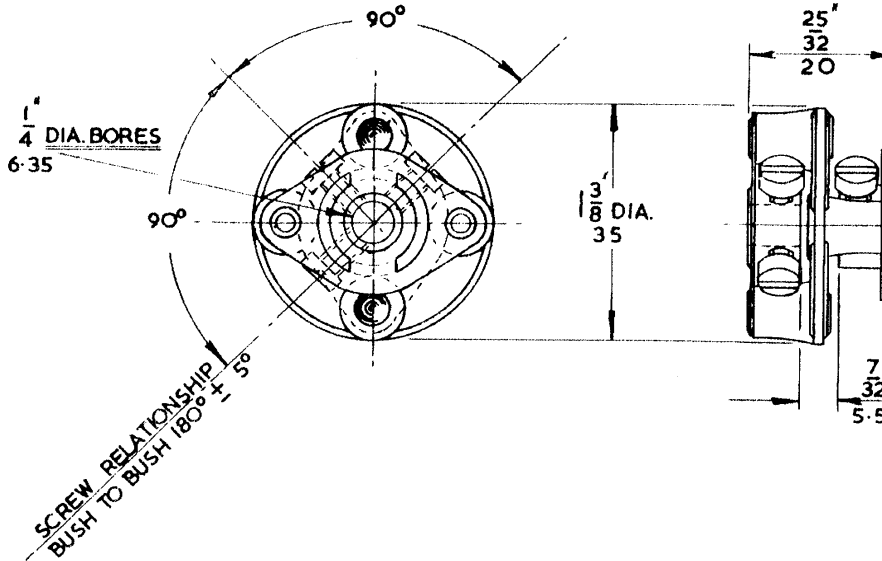
Shearing Torque:—
>15in. lbs. 17Kg. cm.

Bore Diameters:—
Normally ¼" but any smaller
metric or imperial size can
be made to order.

Insulation:— Delrin.

Metal Parts:— Electroplated.

Working Temperature
Range:—
-55°C to +100°C.



UNIVERSAL COUPLING CAT. NO. 5610

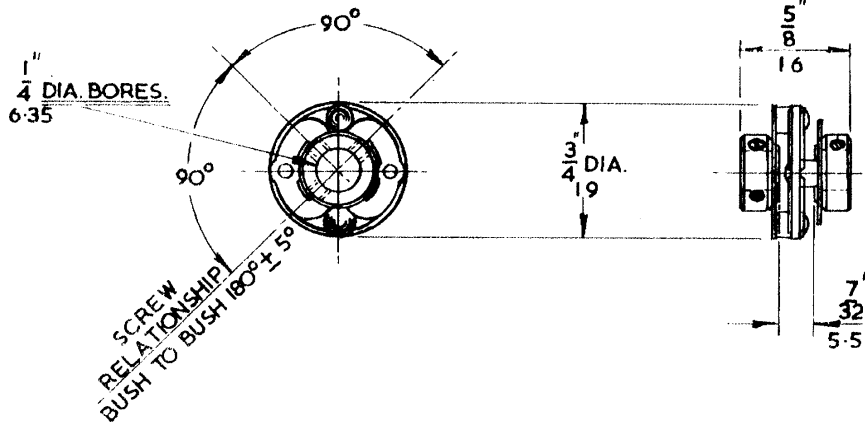
Constant Velocity:—
No lost motion.

Misalignment Capacity:—
.005 linear and/or
10° angular.

Capacitance
(side to side, one earthed):—
1 pF.

Breakdown Voltage:— 3KV.

All other parameters exactly
as **Cat. No. 4693** above.



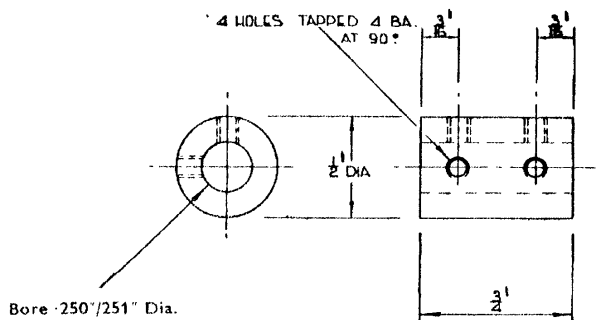
BRASS COUPLING CAT. NO. 4636

A useful coupling unit
for extension spindles, etc.
Four screw fixing.

¼" or 6mm dia. bore to order.

Material: Brass.

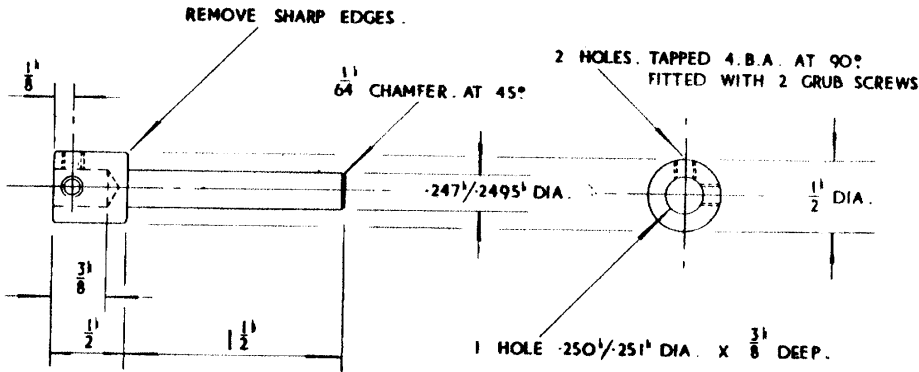
Finish: Clean.





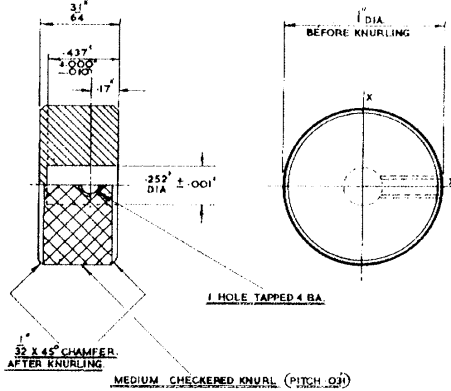
**EXTENSION SPINDLE
CAT. NO. 4827**

1/4" or 6mm diameter to order.
Material: Brass.
Finish: Clean.



TURNED ALUMINIUM KNOBS

1" dia. CAT. NO. 5608



**1 1/2" dia. WITH SKIRT
CAT. NO. 5609/A**

Note:—
Type A. .377 ± .001 dia. through hole.
Type B. .252 ± .001 dia. blind hole.

