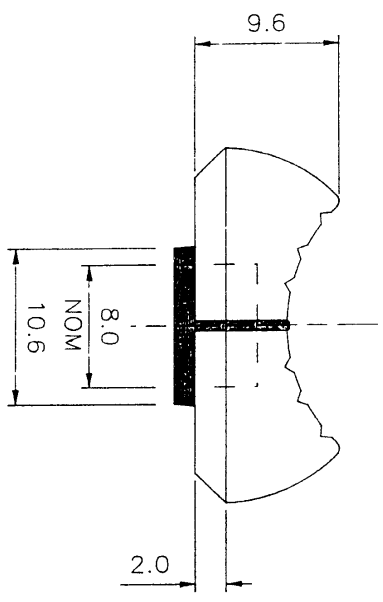
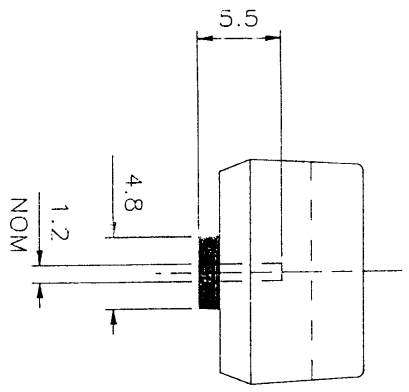
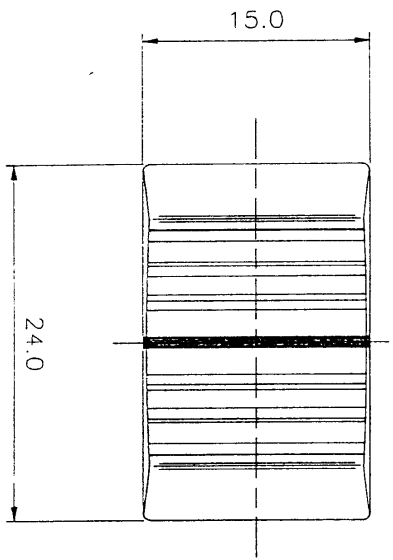


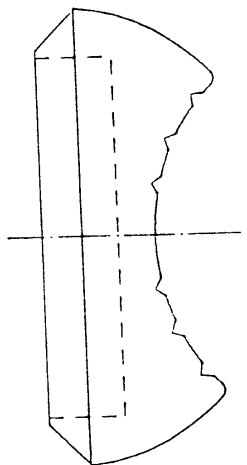
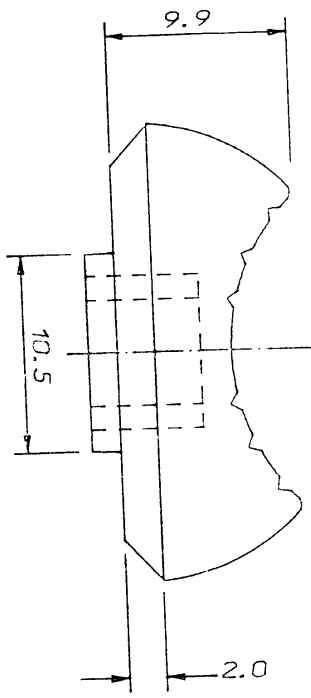
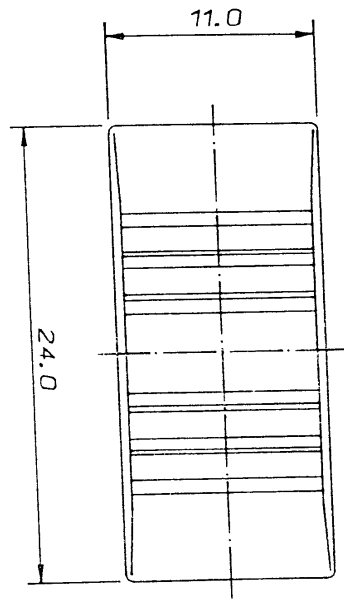
892-117 to 208

MATERIAL - PS FINISH - FINE ETCHED TEXTURE DRC No. - P778

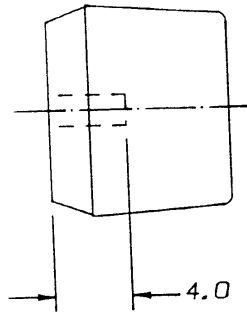
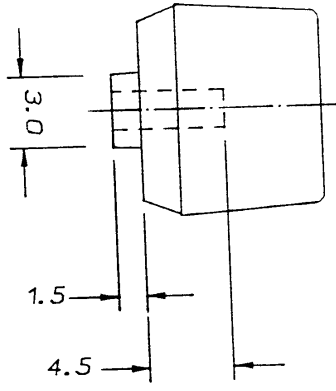


DRAWN	N.L.					DIMENSIONS IN MM	THIRD ANGLE THIS SPECIFICATION IS THE PROPERTY OF RE-AN PRODUCTS. ITS CONTENTS MUST NOT BE DISCLOSED TO A THIRD PARTY WITHOUT WRITTEN CONSENT. © LILLESALL PLASTICS & ENGINEERING LTD. 1997 RE-AN PRODUCTS SPRINGHEAD ENTERPRISE PARK SPRINGHEAD ROAD NORTHFLEET KENT DA11 8NB A LILLESALL COMPANY		TITLE 2 COLOUR SLIDER KNOB - 8.0mm x 1.2mm FIT		DRAWING No P778
CHECKED						TOLERANCES UNLESS OTHERWISE STATED:					
APPROVED						NO DECIMAL PLACES ± 0.50					
SCALE	3:1					1 DECIMAL PLACE ± 0.25					
		ISS.	DATE	CN	ISS.	DATE	CN				
		1	12.3.97								

NARROW SLIDER WITH STYLING
AS RE-AN PT.No. P778



FULL SIZE



P773
FIT TO SUIT
SHAFT TYPES
K & L

P775
FIT TO SUIT
SHAFT TYPE
O

DRAWN	MWK	ISSUE	1	19.10.90	DATE	305	4.1	TITLE	DRAWING NUMBER	customer
CHECKED		2	22.10.90				1.1	11mm SLIDER P773	T541/1	A1
APPROVED		3					336, 125			