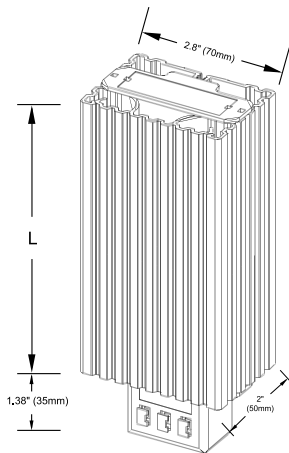


# Heating Products



## Heaters

- Designed to provide enclosed electronic, pneumatic, hydraulic and mechanical equipment with protection from low temperatures, condensation and corrosion.
- The PTC (Positive Temperature Coefficient) heater unit maintains a stable temperature environment within enclosures, allowing critical components to perform with consistent reliability for longer periods.
- Heating power adjusts to ambient temperature
- Push connectors for quick and easy wiring

Part No.	Watts <sup>1</sup>	Max. Current <sup>2</sup>	L (in.)	Ship Wt lbs
SHG14000	15 W	1.5 A	2.56	1
SHG14001	30 W	3.0 A	2.56	1
SHG14003	45 W	3.5 A	2.56	1
SHG14005	60 W	2.5 A	5.51	1
SHG14006	75 W	4.0 A	5.51	1
SHG14007	100 W	4.5 A	5.51	2
SHG14008	150 W	8.0 A	8.46	2

<sup>1</sup> At 68°F (20°C) ambient temperature.      <sup>2</sup> Inrush current

<b>Operating Voltage:</b>	AC/DC 110 - 250 V
<b>Heating Element:</b>	PTC resistor, self regulating
<b>Heating Body:</b>	Anodized extruded aluminum
<b>Connection:</b>	Push-type terminals for stranded and solid wire 3 x AWG 20 AWG 16 (0.5 - 1.5 mm <sup>2</sup> )
<b>Mounting:</b>	Easily installed by clip mounting on 35 mm DIN rails (included)
<b>Protection Class:</b>	I, test voltage 1600 V
<b>Protection:</b>	IP20
<b>Approval:</b>	UL Recognized Component, cUL Recognized Component, CE

## Fan Heaters

- For use when larger heating capacities or internal forced air circulation is required.
- Designed to prevent condensation or maintain minimum temperature in enclosures.
- Thermostats are also available.



Part No.	Watts	Surface Temperature	Starting Current	Dimensions L x W x D	Ship Wt. lbs
SHGL04600	250 W	167°F	2.2 A	7.00 x 3.15 x 3.15	2
SHGL04601	400 W	167°F	3.5 A	9.76 x 3.15 x 3.15	3

<b>Operating Voltage:</b>	AC 110-120 V, 50/60 Hz
<b>Circulation Power:</b>	20 CFM Free Blowing
<b>Axial Fan:</b>	Ball bearing
<b>Durability:</b>	30,000 hrs. at 68°F ambient temperature
<b>Heating Element:</b>	Resistance heating element with temperature limiter
<b>Heating Body:</b>	Extruded aluminum, black anodized
<b>Connection:</b>	3 pole terminal for 12 AWG
<b>Mounting:</b>	Easily installed by clip mounting on 35 mm DIN rails (included)
<b>Protection Class:</b>	1 (tested for grounding at 1250 V)
<b>Protection:</b>	IP20
<b>Approval:</b>	UL Recognized Component, cUL Recognized Component, CE

Technical references and DXF downloads available at [www.hamcfg.com](http://www.hamcfg.com)

All dimensions in inches unless specified otherwise

Climate Control



## Heating Products



### Control Panel Heater

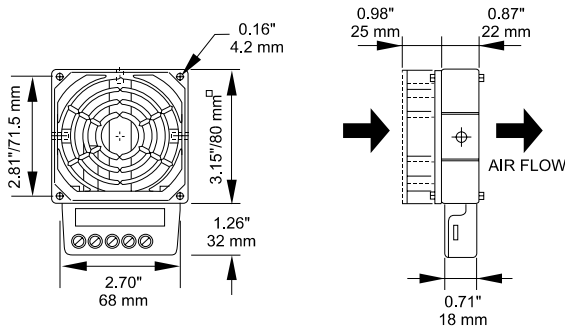
- When larger heating capacities or internal forced air circulation is required and space is limited.
- Compact design to prevent condensation or maintain minimum temperature in enclosures.
- Fan is included.
- Thermostats available

Part No.	Watts	Operating Current (Amps)	Volts	Temperature Maximum with Fan	Ship Wt. lbs.
SHV031029	100 W	0.89	AC 120	250°F/120°C	1
SHV031039	150 W	1.30	AC 120	320°F/160°C	1
SHV031139	200 W	1.79	AC 120	250°F/120°C	1
SHV031149	300 W	2.62	AC 120	320°F/160°C	1
SHV031159	400 W	3.45	AC 120	360°F/180°C	1

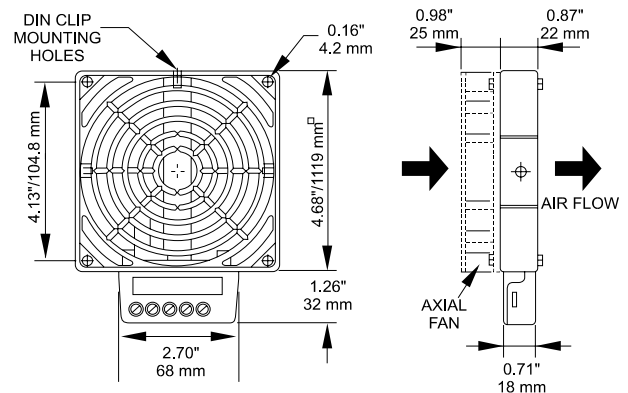


<b>Operating Voltage:</b>	AC 110 -120 V 50/60 Hz
<b>Air Flow:</b>	20 CFM (100W, 150W heaters), 63 CFM (200W, 300W, 400W heaters)
<b>Axial Fan:</b>	Ball bearing
<b>Durability:</b>	30,000 hrs. at 68°F ambient temperature
<b>Heating Element:</b>	Cartridge heater
<b>Heating Body:</b>	Die cast aluminum
<b>Connection:</b>	5 pole terminal for 14 AWG (maximum)
<b>G/L1/N1:</b>	Heater
<b>L2/N2:</b>	Fan
<b>Mounting:</b>	Easily installed by clip mounting on 35 mm DIN rails (included)
<b>Protection class:</b>	1 (tested for grounding at 1250 V)
<b>Protection:</b>	IP44
<b>Approval:</b>	UL Recognized Component, cUL Recognized Component, CE

Climate Control



**100 W, 150 W Heaters**



**200 W, 300 W, 400 W Heaters**

## Heating Products



### High Wattage Fan Heater

- For large heating capacity requirements.
- Maintains minimum operating temperatures in enclosures.
- Helps prevent failures to components caused by condensation and corrosion.
- Built-in thermostat and control light.
- Heating power adjusts to ambient temperature.
- Heat exits top of fan heater. (add 2" clearance for heat sensitive parts)

Part No.	Watts	Inrush Current (Amps)	Volts	Temperature Maximum with Fan	Ship Wt. lbs
SCR027009	550 W	11 A	AC 120	250°F/120°C	2
SCR027009230	550 W	13 A	AC 230	250°F/120°C	2
SCR027019	650 W	12 A	AC 120	320°F/160°C	2.4

Air Flow:	20 CFM (550W), 26 CFM (650W)
Thermostat Range:	32 - 140 degrees Fahrenheit
Heating Element:	PTC - Semiconductor/resistor
Housing:	Plastic, rated UL94-VO
Connection:	3 pole terminal, AWG 14 max (2.5 mm <sup>2</sup> )
Mounting:	Clip for 35mm DIN rail
Protection Class:	II (Double Insulated)
Protection Type:	IP20
Approval:	UL Recognized Component, cUL Recognized Component, CE

Climate Control



### Fan Heater with Thermostat

- Designed to prevent condensation or maintain minimum temperature in enclosures.
- Built in Thermostat. (-18 C to +38 C) (0 F to +100 F)
- Fan Auto/On switch with pilot light for Heat On indication
- 20 CFM airflow
- High temperature safety protection
- Aluminum alloy outer casing
- Connection via terminal block.

Part No.	Watts	Voltage	Overall Dimensions	
			Height x Width x Depth	Ship Wt. lbs
FLHTF125A115	125 W	120V	5.5" x 4.0" x 5.3"	2.2
FLHTF125A230	125 W	240V	5.5" x 4.0" x 5.3"	2.2
FLHTF200A115	200 W	120V	5.5" x 4.0" x 5.3"	2.2
FLHTF200A230	200 W	240V	5.5" x 4.0" x 5.3"	2.2
FLHTF400A115	400 W	120V	7.5" x 4.0" x 5.3"	3.0
FLHTF400A230	400 W	240V	7.5" x 4.0" x 5.3"	3.0
FLHTF800A115	800 W	120V	7.5" x 4.0" x 5.3"	3.0
FLHTF800A230	800 W	240V	7.5" x 4.0" x 5.3"	3.0