

## Heaters

### Electric Heater



#### Industry Standards

UL 508A Component Recognized; File No. E61997

CSA Certified, CSA File No. LR42186  
CE

#### Application

Protect mechanical, electrical and electronic equipment from low temperatures, condensation and corrosion with this thermostatically controlled, fan-driven heater that maintains a stable enclosure temperature.

Fan draws cool air from the bottom of the enclosure and passes this air across the thermostat and heating elements before being released into enclosure cavity. Heated air is discharged through the top of the heater unit.

#### Standard Product

Catalog Number	Watts	Voltage	Hz	Amps	X in./mm	Weight (lbs.)	Weight (kg)
DAH1001A	100	115	50/60	0.98	4.00	4.00	1.81
DAH1002A	100	230	50/60	0.49	4.00 102	4.00	1.81
DAH2001A	200	115	50/60	1.89	6.00	4.00	1.81
DAH2002A	200	230	50/60	0.95	6.00 152	4.00	1.81
DAH4001B	400	115	50/60	3.72	6.00 152	6.00	2.72
DAH4002B	400	230	50/60	1.86	6.00 152	6.00	2.72
DAH8001B	800	115	50/60	7.37	8.00 203	6.00	2.72
DAH8002B	800	230	50/60	3.69	8.00 203	6.00	2.72

### CAUTION

These electric heaters are not designed for use in dusty, dirty, corrosive, or hazardous locations. Portions of the heater can get hot. Adequate protection must be taken to protect people from potential burns, and to protect other components from this heat. Hoffman recommends this heater only be installed in a totally-enclosed metal enclosure.

#### DO NOT INSTALL HEATERS ON WOOD PANELS.

Heat sensitive components should not be placed near the heater discharge area since this air can be quite warm. The clearance range defines the space that must be kept free of these components for proper and safe operation of the heater.

#### Specifications

- Aluminum housing
- Thermostat range adjustable from 0 F to 100 F (-18 C to 38 C)
- Four 10-32 x self-tapping screws are included with each heater
- Ball bearing fan
- Terminal strip with clamp connector that accepts both solid and stranded wire

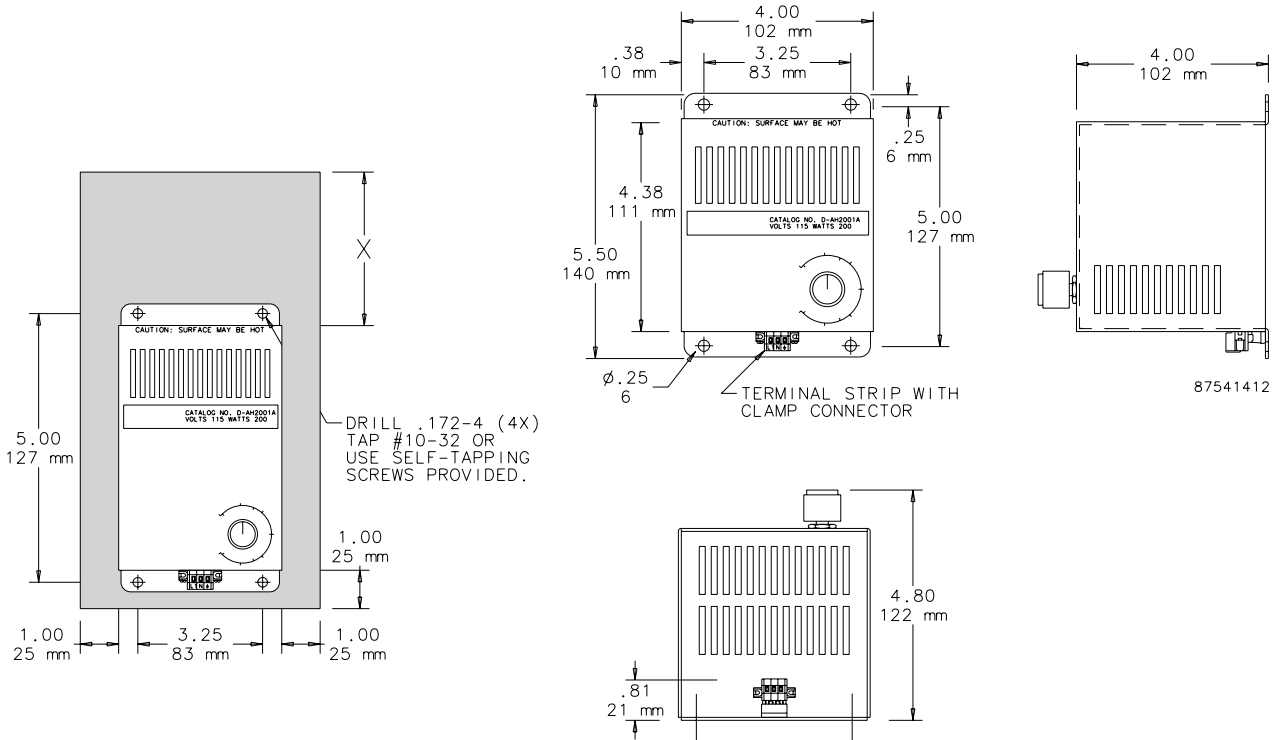
#### Finish

Brushed aluminum

Bulletin: D85

**Heaters**

Dimensions and Clearance Range Drawing for DAH1001A, -2A and DAH2001A, -2A



Dimensions and Clearance Range Drawing for DAH4001B, -2B and DAH8001B, -2B

