

Air Conditioners

Side-Mount Subcompact Air Conditioner



Industry Standards

Maintains UL/cUL Type 12 or 3R rating when properly installed on a UL/cUL Type 12 or 3R enclosure.

UL/cUL Listed; File No. SA6453

CE

Application

In indoor industrial applications, the Side-Mount Subcompact Air Conditioner provides high-efficiency, positive cooling for densely-populated wall-mount and narrow enclosures that require a high degree of heat dissipation.

Features

- Equipped with a screwdriver-adjustable thermostat
- High-performance, industrial-grade ball-bearing fans
- Reusable and washable air filter
- Built-in hanging brackets
- EMI/RFI noise suppressor is standard
- Includes power cord with plug for standard grounded outlet
- Condensate management system with base pan side drain
- All units use a universally accepted CFC-free or environmentally safe refrigerant
- Mounting hardware, gaskets, mounting template and instruction manual furnished
- Closed-loop cooling

Finish

RAL 7035 light-gray polyester powder coating

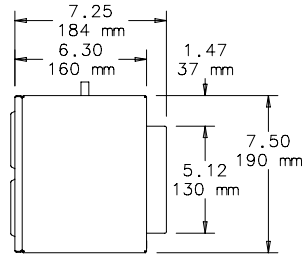
Bulletin: MCL

Standard Product

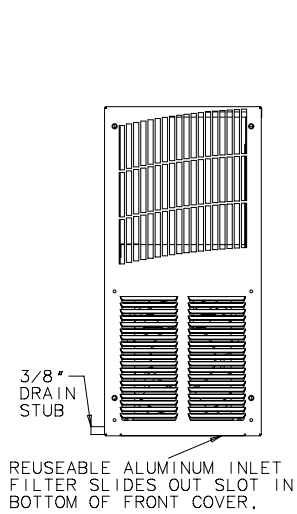
Catalog Number	Voltage	Hz	Phase	BTU/Hr. @ Max. Ambient Temp.	Full Load Amps	50 Hz Max Amb. Temp. (°F)	50 Hz Max Amb. Temp. (°C)	60 Hz Max Amb. Temp. (°F)	60 Hz Max Amb. Temp. (°C)	Shipping Weight (lb.)	Shipping Weight (kg)
T150116G120	110/115	50/60	1	800	3.8/3.6	125	52	131	55	27	12.25
T150126G120	220/230	50/60	1	800	1.4/1.5	125	52	131	55	27	12.25

Replacement Filter No. 10100091

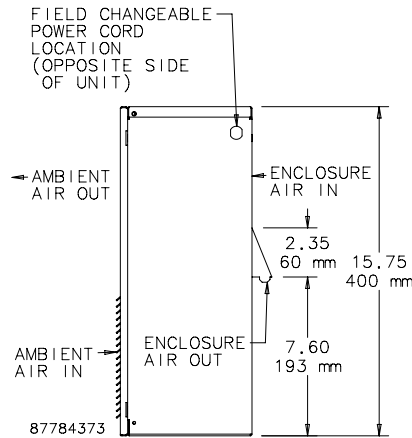
Air Conditioners



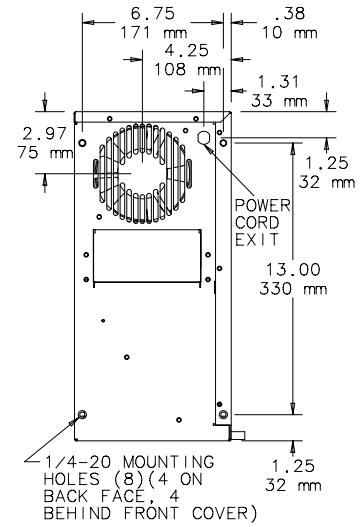
TOP VIEW



FRONT VIEW

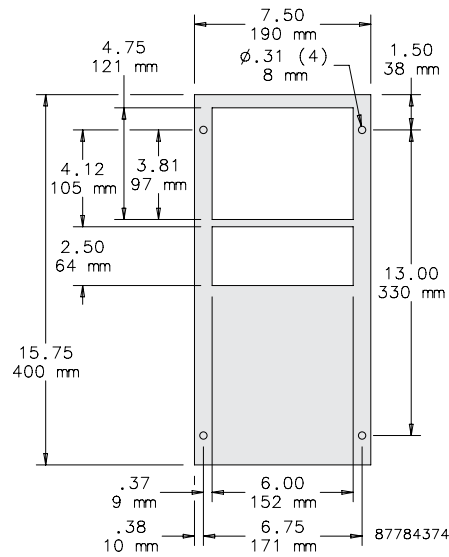


RIGHT VIEW



BACK VIEW

- Notes:
1. Shaded area represents air conditioner.
 2. Cutout dimensions for standard product only.
 3. Full-size mounting template provided.



MOUNTING CUTOUT DIMENSIONS