

Air Conditioners

GENESIS™ Side-Mount Full-Size Air Conditioner



Industry Standards

8000 BTU/HR MODELS (115V and 230V)

Maintains UL/cUL Type 12 rating when properly installed on a UL/cUL Type 12 enclosure.

UL/cUL Listed; File No. SA6453

CE

12,000 BTU/HR MODELS (115V)

Maintains UL/cUL Type 12 rating when properly installed on a UL/cUL Type 12 enclosure.

UL/cUL Recognized; File No. SA6453

CE

12,000 BTU/HR MODELS (230V)

Maintains UL/cUL Type 12 rating when properly installed on a UL/cUL Type 12 enclosure.

UL/cUL Listed; File No. SA6453

CE

Application

For applications requiring 5000- to 12,000 BTUs of cooling, the 52 Series Air Conditioner is less than 12 inches deep for mounting on narrow enclosures.

Standard Product

Catalog Number	Voltage	Hz	Phase	BTU/Hr @ 125 F/125 F	Full Load Amps	Max. Ambient Temp. (°F)	Max. Ambient Temp. (°C)	Shipping Weight (lb.)	Shipping Weight (kg)
M520646400	460	50/60	1	5000/6000	3.6/3.6	125	52	175	79
M520816032	115	50/60	1	6700/8000	14.5/14.5	125	52	160	73
M520826015	230	50/60	1	6700/8000	8.0/8.0	125	52	160	73
M520846400	460	50/60	1	67000/8000	4.4/4.4	125	52	180	82
M521046400	460	50/60	1	8300/10000	5.2/5.4	125	52	185	84
M521216017	110/115	50/60	1	10000/12000	24.4/23.0	125	52	175	79
M521226034	220/230	50/60	1	10000/12000	12.2/11.6	125	52	175	79
M521246400	460	50/60	1	10000/12000	6.6/6.4	125	52	215	98

M521216017: UL Component Recognized and cUL Component Recognized
Replacement Filter No. 10100056

In accordance with the Montreal Protocol, the GENESIS™ M52 Air Conditioners will be transitioned away from R22 refrigerant by December 31, 2009. Product performance will remain at top capacity. Visit hoffmanonline.com for product updates.

Features

- Thermostat control
- High-performance centrifugal blowers
- Removable air filter
- Mounting brackets
- EMI/RFI noise suppressor is standard
- Condensate management system
- All units use a universally accepted CFC-free or environmentally safe refrigerant
- Mounting gaskets and instruction manual furnished
- Closed-loop cooling

In accordance with the Montreal Protocol, the GENESIS™ M52 Air Conditioners will be transitioned away from R22 refrigerant by December 31, 2009. Product performance will remain at top capacity. Visit hoffmanonline.com for product updates.

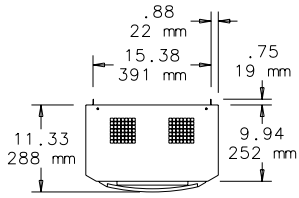
Finish

- Body: RAL 7042 smooth gray polyester powder coating
- Grille: RAL 7035 light gray

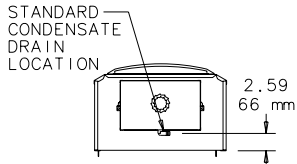
Bulletin: MCL

Air Conditioners

52 Series

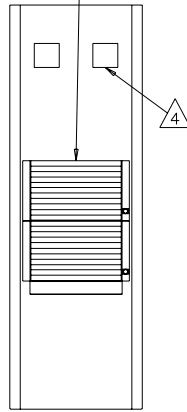


TOP VIEW

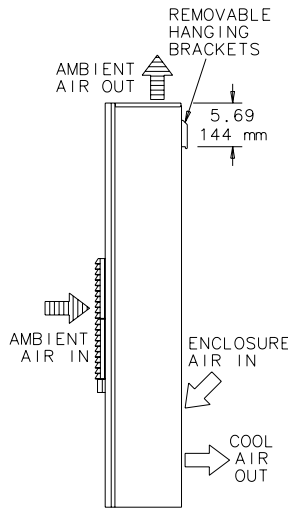


BOTTOM VIEW

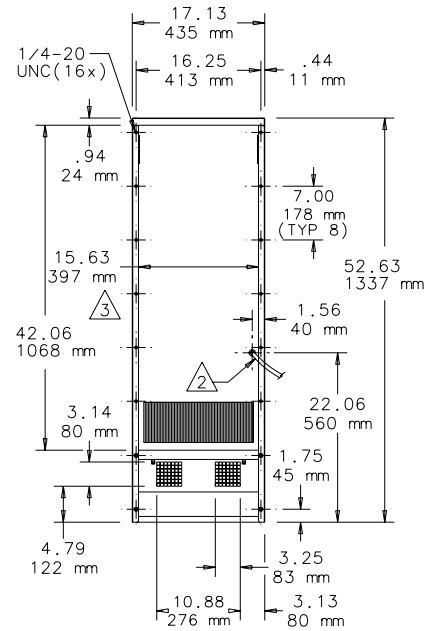
CLEANABLE REUSABLE ALUMINUM INLET FILTER BEHIND GRILLE



FRONT VIEW



SIDE VIEW

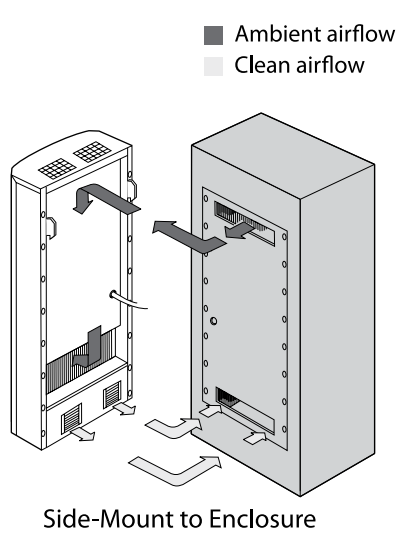


BACK VIEW

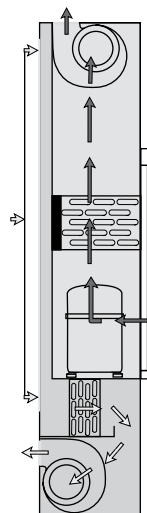
87939700

NOTE:

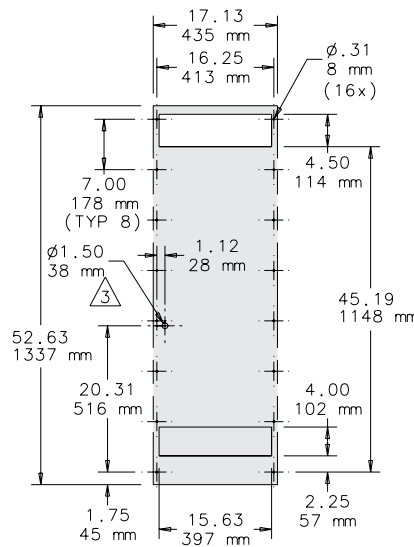
1. Gasket kit for mounting to enclosure included.
 2. Service cord.
 3. 42.06 x 15.63 inch area is recessed 1.44 inches from rear surface, or plenum.
 4. Condenser air discharge out front is optional.
- Number in triangle in CAD views refers to note number.



Side-Mount to Enclosure



52 Series



CUTOUT

NOTE:

1. Shaded area represents air conditioner.
2. Cutout dimensions for standard products only.
3. Hole may be deleted if the service cord is routed through the 4.50 x 15.63 inch return air opening (except units with electric heat).
4. Full-size mounting template provided. Number in triangle in CAD views refers to note number.