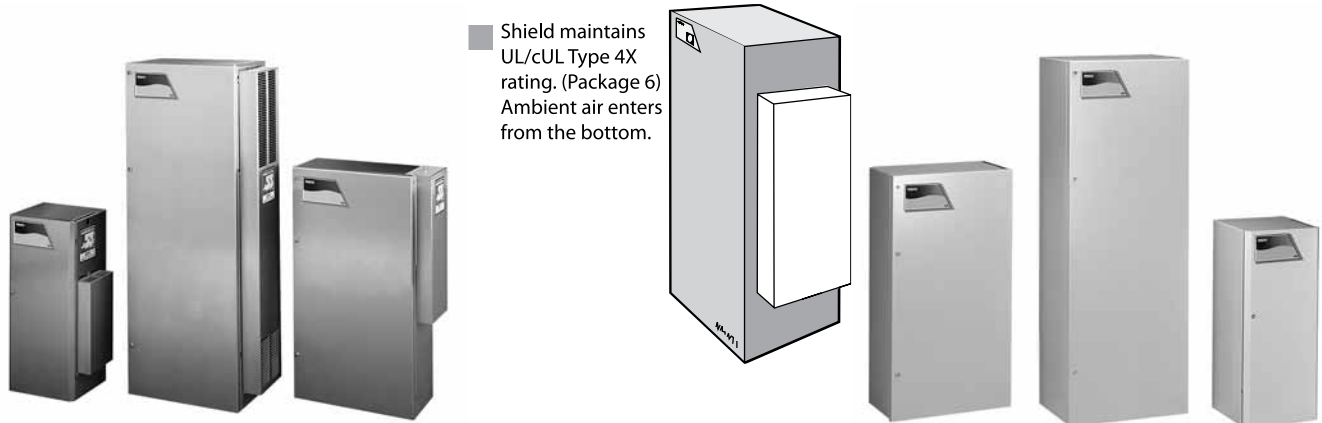


Air Conditioners

CR Compact, Mid-Size and Full-Size Air Conditioners and Accessories



Shield maintains UL/cUL Type 4X rating. (Package 6)
Ambient air enters from the bottom.

Industry Standards

Refer to tables for specific UL/cUL Type ratings these air conditioners maintain when properly installed on a UL/cUL rated enclosure.

UL/cUL Listed; File No. SA6453

Application

CR Air Conditioners are available in a variety of configurations and sizes to match indoor or outdoor application requirements. CR23 and CR29 Air Conditioners feature an invertible, washable filter for easy maintenance.

Features

- Thermostat control and EMI/RFI noise suppressor included
- Front cover hinges open for quick access to all components
- Filter can be inverted to double operating time between cleanings and or replacements (models CR23 and CR29 only)
- Filterless operation possible in many applications
- Mounting flanges facilitate installation on door, side or front of enclosure
- For a typical application, unique condensate management system evaporates moisture from enclosure
- High-performance fans and blowers are ideal for densely-packed enclosures
- All units use a CFC-free or environmentally safe refrigerant that is universally accepted
- Mounting hardware, gaskets, mounting template and instruction manual furnished
- In accordance with the Montreal Protocol, the CR43 Air Conditioners have transitioned away from R22 refrigerant. Product performance remains within nominal capacity.

Finish

Available in brushed stainless steel or RAL 7035 light-gray polyester powder coating.

Notes

Some packages are not listed. Verify package before ordering.

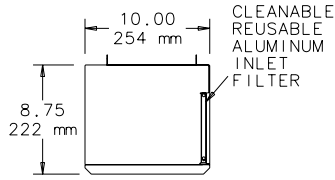
Bulletin: MCL

Standard Product CR23 Air Conditioner Packages

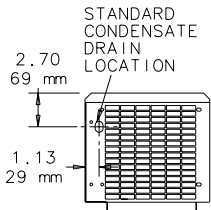
Catalog Number	BTU/Voltage/Hz	Package	UL/cUL Type Rating
CR230216G002	1600 BTU/Hr. 115V-50/60 Hz	1 - Basic	12, 3R
CR230216G016	1600 BTU/Hr. 115V-50/60 Hz	2 - Level 2 Controller	12, 3R
CR230216G013	1600 BTU/Hr. 115V-50/60 Hz	3 - Low Ambient Temperature	12, 3R
CR230216G007	1600 BTU/Hr. 115V-50/60 Hz	4 - Low Ambient/SST/Corrosion	12, 3R
CR230216G017	1600 BTU/Hr. 115V-50/60 Hz	5 - Low Ambient/SST/Level 2	12, 3R
CR230216G015	1600 BTU/Hr. 115V-50/60 Hz	6 - Outdoor/SST/Corrosion/4X	4, 4X, 12
CR230226G002	1600 BTU/Hr. 230V-50/60 Hz	1 - Basic	12, 3R
CR230226G030	1600 BTU/Hr. 230V-50/60 Hz	3 - Low Ambient Temperature	12, 3R
CR230226G016	1600 BTU/Hr. 230V-50/60 Hz	5 - Low Ambient/SST/Level 2	12, 3R
CR230226G014	1600 BTU/Hr. 230V-50/60 Hz	6 - Outdoor/SST/Corrosion/4X	4, 4X, 12

Air Conditioners

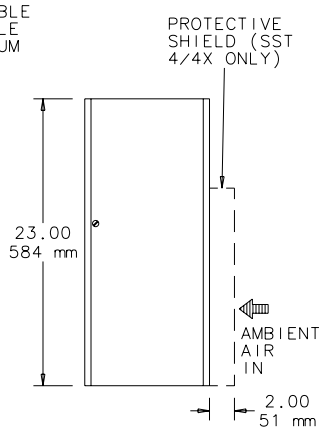
CR23



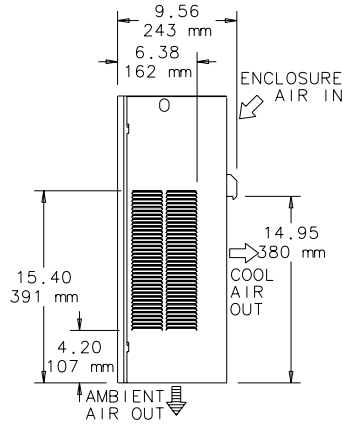
TOP VIEW



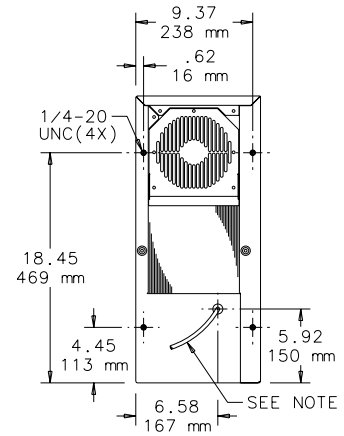
BOTTOM VIEW



FRONT VIEW



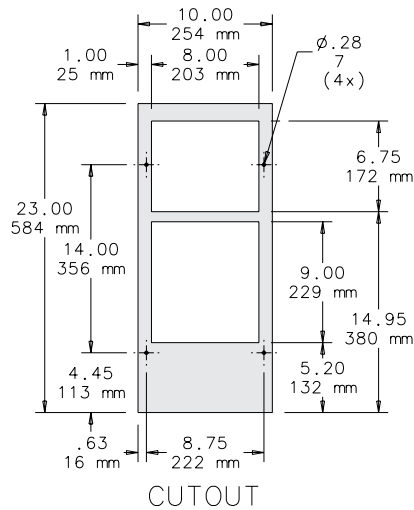
SIDE VIEW



BACK VIEW

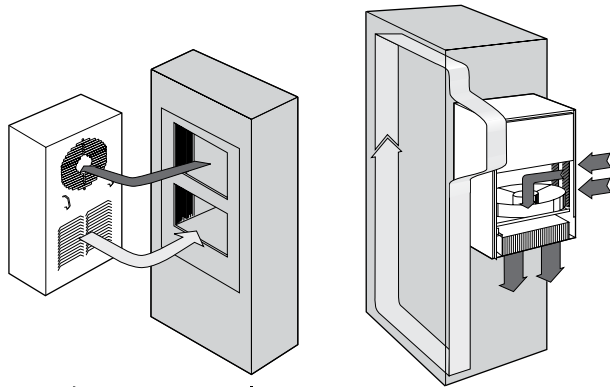
NOTE: Service cord terminated with appropriate plug cap.

87939703



CUTOUT

- NOTE:
1. Shaded area represents air conditioner.
 2. Cutout dimensions for standard products only.
 3. Full-size mounting template provided.



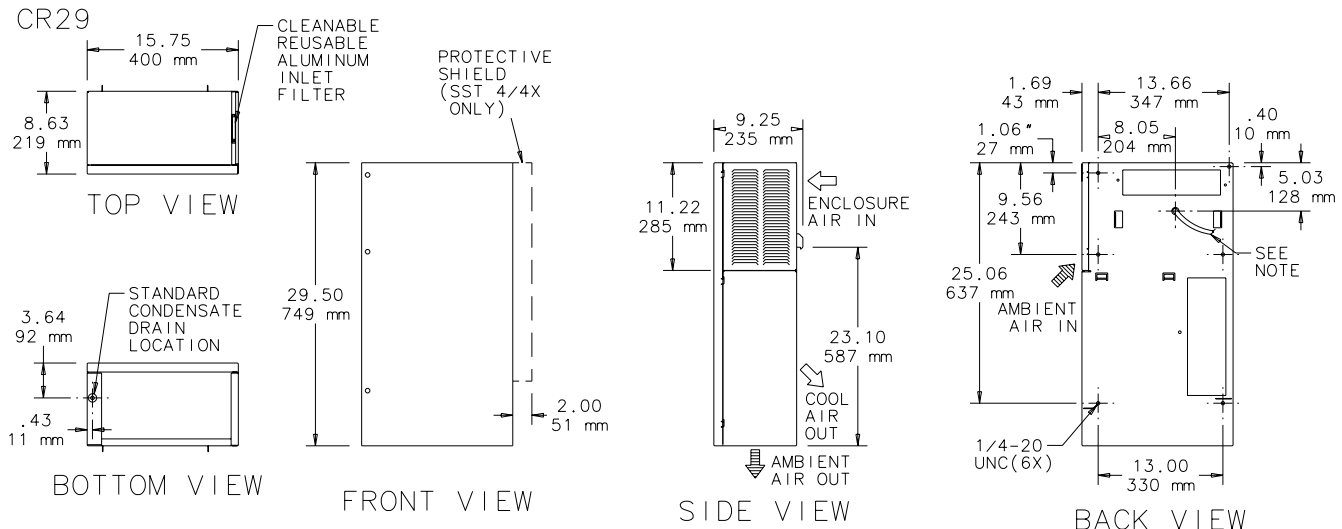
CR23 Side-Mount to Enclosure

- Ambient airflow
- Clean airflow

Air Conditioners

Standard Product CR29 Air Conditioner Packages

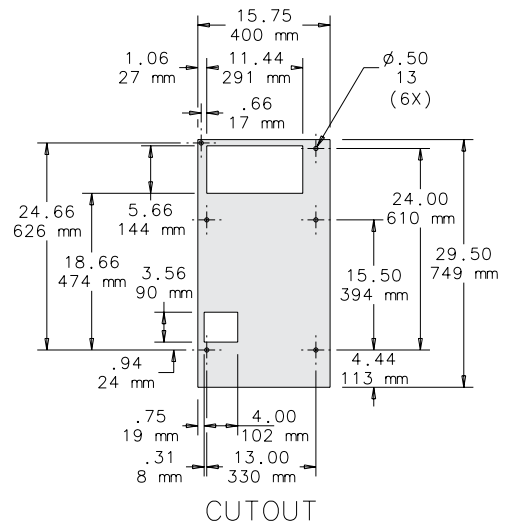
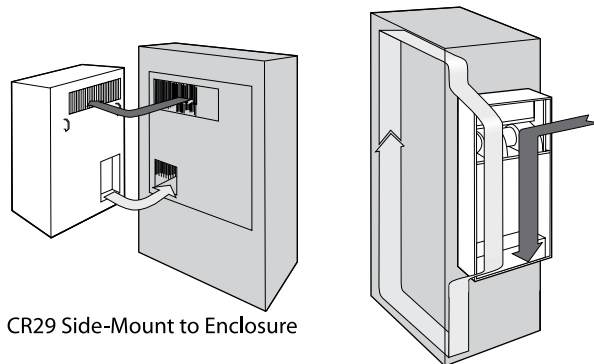
Catalog Number	BTU/Voltage/Hz	Package
CR290216G002	2200 BTU/Hr. 115V-50/60 Hz	1 - Basic
CR290216G030	2200 BTU/Hr. 115V-50/60 Hz	2 - Level 2 Controller
CR290216G035	2200 BTU/Hr. 115V-50/60 Hz	3 - Low Ambient Temperature
CR290216G013	2200 BTU/Hr. 115V-50/60 Hz	4 - Low Ambient/SST/Corrosion
CR290216G036	2200 BTU/Hr. 115V-50/60 Hz	6 - Outdoor/SST/Corrosion/4X
CR290226G002	2200 BTU/Hr. 230V-50/60 Hz	1 - Basic
CR290226G030	2200 BTU/Hr. 230V-50/60 Hz	2 - Level 2 Controller
CR290226G020	2200 BTU/Hr. 230V-50/60 Hz	3 - Low Ambient Temperature
CR290226G010	2200 BTU/Hr. 230V-50/60 Hz	4 - Low Ambient/SST/Corrosion
CR290226G031	2200 BTU/Hr. 230V-50/60 Hz	5 - Low Ambient/SST/Level 2
CR290226G037	2200 BTU/Hr. 230V-50/60 Hz	6 - Outdoor/SST/Corrosion/4X
CR290416G002	4000 BTU/Hr. 115V-50/60 Hz	1 - Basic
CR290416G047	4000 BTU/Hr. 115V-50/60 Hz	2 - Level 2 Controller
CR290416G045	4000 BTU/Hr. 115V-50/60 Hz	3 - Low Ambient Temperature
CR290416G030	4000 BTU/Hr. 115V-50/60 Hz	4 - Low Ambient/SST/Corrosion
CR290416G052	4000 BTU/Hr. 115V-50/60 Hz	5 - Low Ambient/SST/Level 2
CR290416G068	4000 BTU/Hr. 115V-50/60 Hz	6 - Outdoor/SST/Corrosion/4X
CR290426G002	4000 BTU/Hr. 230V-50/60 Hz	1 - Basic
CR290426G027	4000 BTU/Hr. 230V-50/60 Hz	2 - Level 2 Controller
CR290426G022	4000 BTU/Hr. 230V-50/60 Hz	3 - Low Ambient Temperature
CR290426G017	4000 BTU/Hr. 230V-50/60 Hz	4 - Low Ambient/SST/Corrosion
CR290426G054	4000 BTU/Hr. 230V-50/60 Hz	6 - Outdoor/SST/Corrosion/4X



- NOTE:
1. Shaded area represents air conditioner.
 2. Cutout dimensions for standard products only.
 3. Full-size mounting template provided.

NOTE: Service cord terminated with appropriate plug cap.

87939704

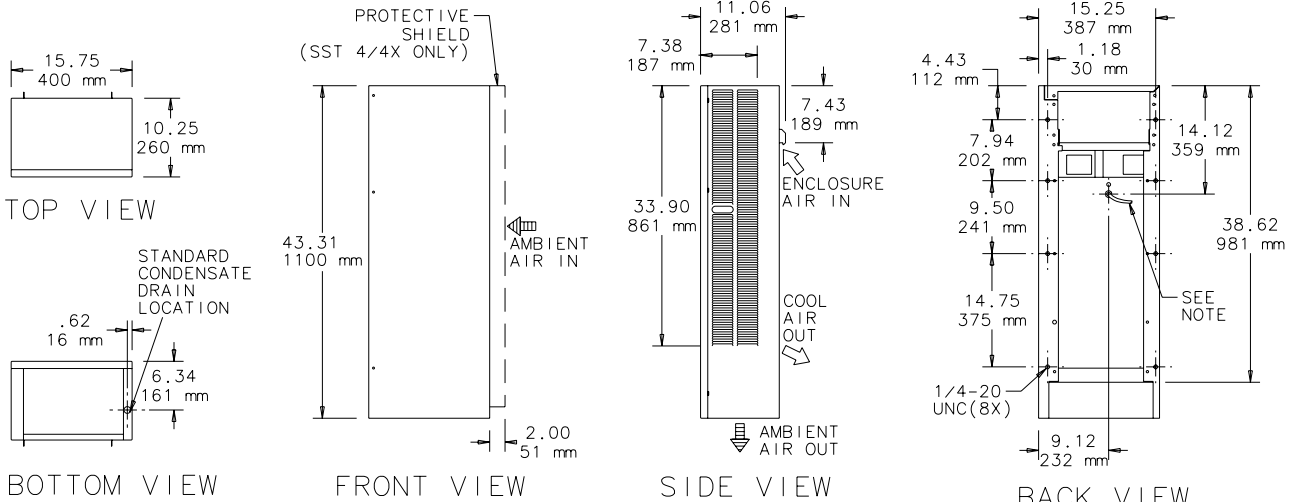


Air Conditioners

Standard Product CR43 Air Conditioner Packages

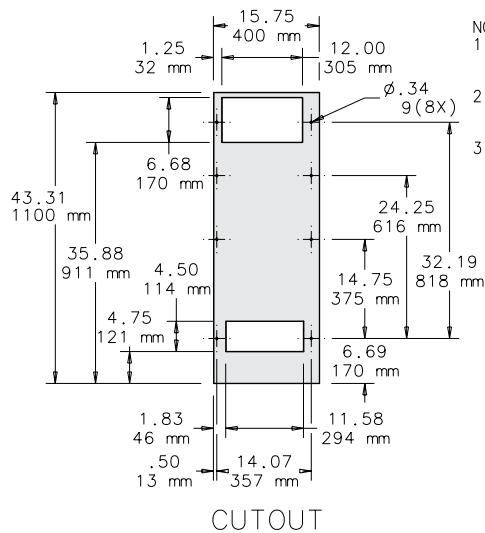
Catalog Number	BTU/Voltage/Hz	Package
CR430616G002H	6500 BTU/Hr. 115V-50/60 Hz	1 - Basic
CR430616G016	6500 BTU/Hr. 115V-50/60 Hz	2 - Level 2 Controller
CR430616G013	6500 BTU/Hr. 115V-50/60 Hz	3 - Low Ambient Temperature
CR430616G004	6500 BTU/Hr. 115V-50/60 Hz	4 - Low Ambient/SST/Corrosion
CR430616G031	6500 BTU/Hr. 115V-50/60 Hz	6 - Outdoor/SST/Corrosion/4X
CR430626G002H	6500 BTU/Hr. 230V-50/60 Hz	1 - Basic
CR430626G018	6500 BTU/Hr. 230V-50/60 Hz	2 - Level 2 Controller
CR430626G014	6500 BTU/Hr. 230V-50/60 Hz	3 - Low Ambient Temperature
CR430626G020	6500 BTU/Hr. 230V-50/60 Hz	5 - Low Ambient/SST/Level 2
CR430626G034	6500 BTU/Hr. 230V-50/60 Hz	6 - Outdoor/SST/Corrosion/4X
CR430816G002H	8000 BTU/Hr. 115V-50/60 Hz	1 - Basic
CR430816G021	8000 BTU/Hr. 115V-50/60 Hz	2 - Level 2 Controller
CR430816G038	8000 BTU/Hr. 115V-50/60 Hz	3 - Low Ambient Temperature
CR430816G010	8000 BTU/Hr. 115V-50/60 Hz	4 - Low Ambient/SST/Corrosion
CR430816G023	8000 BTU/Hr. 115V-50/60 Hz	5 - Low Ambient/SST/Level 2
CR430816G036	8000 BTU/Hr. 115V-50/60 Hz	6 - Outdoor/SST/Corrosion/4X
CR430826G002H	8000 BTU/Hr. 230V-50/60 Hz	1 - Basic
CR430826G026	8000 BTU/Hr. 230V-50/60 Hz	2 - Level 2 Controller
CR430826G007	8000 BTU/Hr. 230V-50/60 Hz	3 - Low Ambient Temperature
CR430826G037	8000 BTU/Hr. 230V-50/60 Hz	4 - Low Ambient/SST/Corrosion
CR430826G024	8000 BTU/Hr. 230V-50/60 Hz	5 - Low Ambient/SST/Level 2
CR430826G038	8000 BTU/Hr. 230V-50/60 Hz	6 - Outdoor/SST/Corrosion/4X

CR43

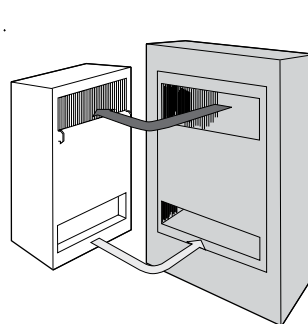


NOTE: Service cord terminated with appropriate plug cap.

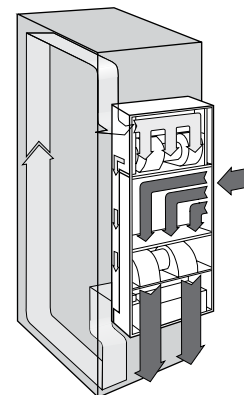
87939705



- NOTE:
1. Shaded area represents air conditioner.
 2. Cutout dimensions for standard products only.
 3. Full-size mounting template provided.



CR43 Side-Mount to Enclosure



Air Conditioners

CR23 Series

Catalog Number	Voltage	Hz	Phase	BTU/Hr. @	Amps @	BTU/Hr. @	Amps @	Max. Amb. Temp (°F)	Max. Amb. Temp (°C)	Shipping Wt. (lb.)	Shipping Wt. (kg)
				131 F/131 F	131 F/131 F	95 F/95 F	95 F/95 F				
CR230216GXXX	115	50/60	1	1400/1600	4.1/4.5	1500/1700	3.8/3.6	131	55	57	26
CR230226GXXX	230	50/60	1	1400/1600	2.2/2.2	1500/1700	2.1/1.8	131	55	57	26

Because air conditioners provide less cooling at lower operating temperatures, two cooling capacity ratings are provided.

For Stainless Steel UL Type 4X models, add approximately 10 lbs. to shipping weight.

Replacement Filter No. 23200400

CR29 Series

Catalog Number	Voltage	Hz	Phase	BTU/Hr. @	Amps @	BTU/Hr. @	Amps @	Max. Amb. Temp (°F)	Max. Amb. Temp (°C)	Shipping Wt. (lb.)	Shipping Wt. (kg)
				131 F/131 F	131 F/131 F	95 F/95 F	95 F/95 F				
CR290216GXXX	115	50/60	1	2000/2200	7.4/7.4	1700/2000	7.0/6.0	131	55	98	44
CR290226GXXX	230	50/60	1	2500/2700	4.6/3.9	1900/2300	4.4/3.3	131	55	98	44
CR290416GXXX	115	50/60	1	3500/4000	13.5/13.5	2400/2800	10.7/9.06	131	55	118	54
CR290426GXXX	230	50/60	1	3500/4000	6.7/6.7	2400/2800	5.9/5.3	131	55	118	54

Because air conditioners provide less cooling at lower operating temperatures, two cooling capacity ratings are provided.

For Stainless Steel UL Type 4X models, add approximately 10 lbs. to shipping weight.

Replacement Filter No. 10100032

CR43 Series

Catalog Number	Voltage	Hz	Phase	BTU/Hr. @	Amps @	BTU/Hr. @	Amps @	Max. Amb. Temp. (°F)	Max. Amb. Temp. (°C)	Shipping Wt. (lb.)	Shipping Wt. (kg)
				131 F/131 F	131 F/131 F	95 F/95 F	95 F/95 F				
CR430616GXXX	115	60	1	6500	12.0	6000	11.0	131	55	133	60
CR430626GXXX	230	60	1	6500	3.0	6000	5.5	131	55	133	60
CR430816GXXX	115	60	1	8000	14.0	7000	12.9	131	55	140	64
CR430826GXXX	230	60	1	8000	7.1	7000	6.3	131	55	140	64

Because air conditioners provide less cooling at lower operating temperatures, two cooling capacity ratings are provided.

For Stainless Steel UL Type 4X models, add approximately 10 lbs. to shipping weight.

Replacement Filter No. 10100044

Air Conditioners

Closed Loop Cooling

Within the air conditioner, the recirculated clean air is kept separate from the ambient airflow system. This protects the electronic controls and prevents shutdowns caused by heat, humidity, dust and other contaminants.

