

Heat Exchangers

CLIMAGUARD™ Outdoor Heat Exchangers



Industry Standards

Maintains UL/cUL Type 4, 12, 3R rating when properly installed on the appropriate UL/cUL Type 4, 12, 3R enclosure.

UL/cUL Listed, UL File No. SA7402

Application

The CLIMAGUARD™ Outdoor Heat Exchanger is a rugged and reliable unit engineered for temperature extremes, corrosive environments and wind-driven rain. Its design keeps enclosures sealed tight for reliable closed-loop cooling while ensuring vital electronics stay protected.

Features

- Removes up to 3000 watts of enclosure heat
- Available in DC and AC power supply
- Cooling capacities ranging from 25 W/°C (14 W/°F) and 150 W/°C (83 W/°F)
- Variable-speed blowers standard on DC-powered units
- Surface- and recess-mount capable
- Gasket and hardware included
- Few moving parts
- Double-sealed core ends
- Closed-loop cooling

Specifications

- Powder-coated galvanized sheet metal shroud
- Corrosion-resistant aluminum core

Finish

RAL 7035 smooth light-gray polyester powder coating

Accessories

Ambient-side insect screen
UP to 2000 Watt heater for DC and AC models

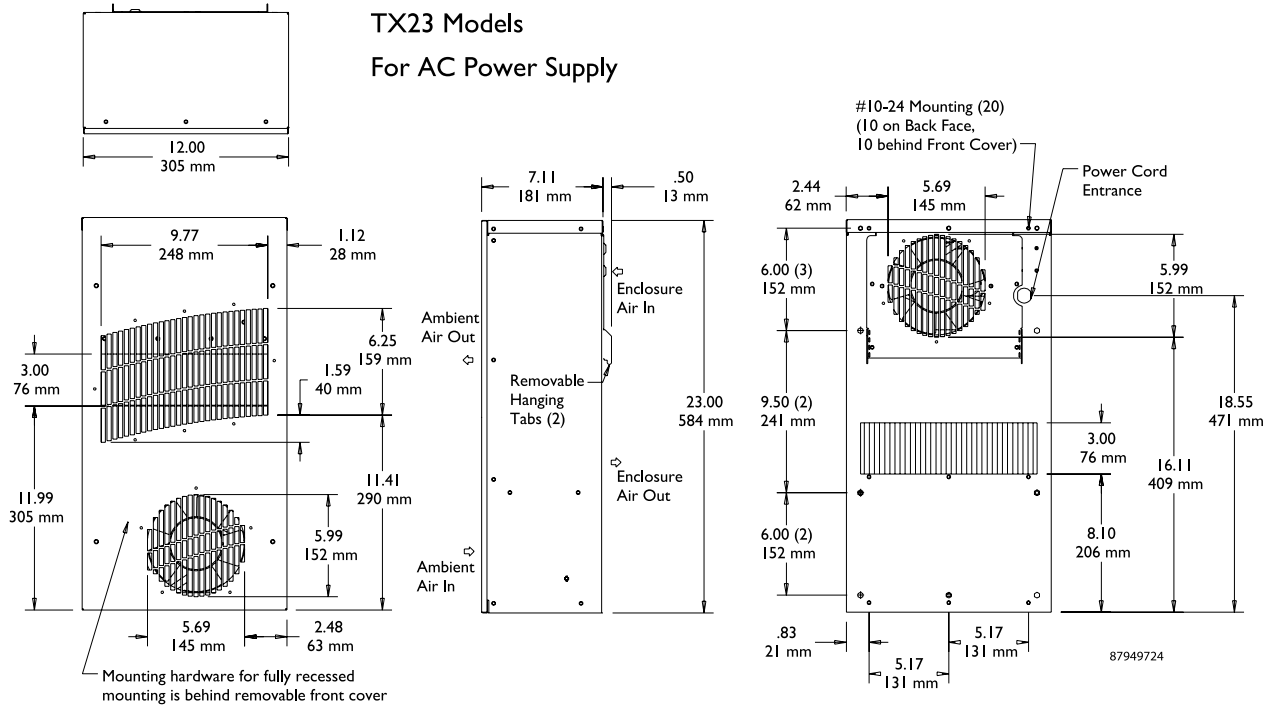
Bulletin: MCLHE

Standard Product

Catalog Number	AxBxC in.	AxBxC mm	Power Source	Voltage	Hz	Phase	Full Load Amps	Operating Temp. Range (°F)	Operating Temp. Range (°C)	Cooling Capacity (W/°F)	Cooling Capacity (W/°C)	Shipping Weight (lb.)	Shipping Weight (kg)
TX231416100	23.00 x 12.00 x 7.10	584 x 305 x 180	AC	115	50/60	1	.6	-40 – 149	-40 – 65	14	25	32	14.5
TX231448100	23.00 x 12.00 x 7.10	584 x 305 x 180	DC	48	—	—	1.8	-40 – 149	-40 – 65	14	25	32	14.5
TX332816100	33.00 x 15.70 x 8.10	838 x 399 x 206	AC	115	50/60	1	1.4	-40 – 149	-40 – 65	28	50	52	23.6
TX332848100	33.00 x 15.70 x 8.10	838 x 399 x 206	DC	48	—	—	1.8	-40 – 149	-40 – 65	28	50	52	23.6
TX385616100	38.00 x 19.70 x 10.10	965 x 500 x 257	AC	115	50/60	1	2.3/3.2	-40 – 149	-40 – 65	56	100	69	31.3
TX385648100	38.00 x 19.70 x 10.10	965 x 500 x 257	DC	48	—	—	5.8	-40 – 149	-40 – 65	56	100	69	31.3
TX528316100	52.00 x 19.70 x 10.10	1321 x 500 x 257	AC	115	50/60	1	4.3/6.7	-40 – 149	-40 – 65	83	150	103	46.7
TX528348100	52.00 x 19.70 x 10.10	1321 x 500 x 257	DC	48	—	—	7.8	-40 – 149	-40 – 65	83	150	103	46.7

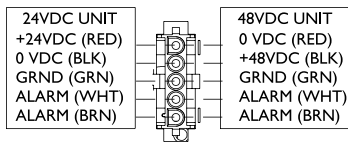
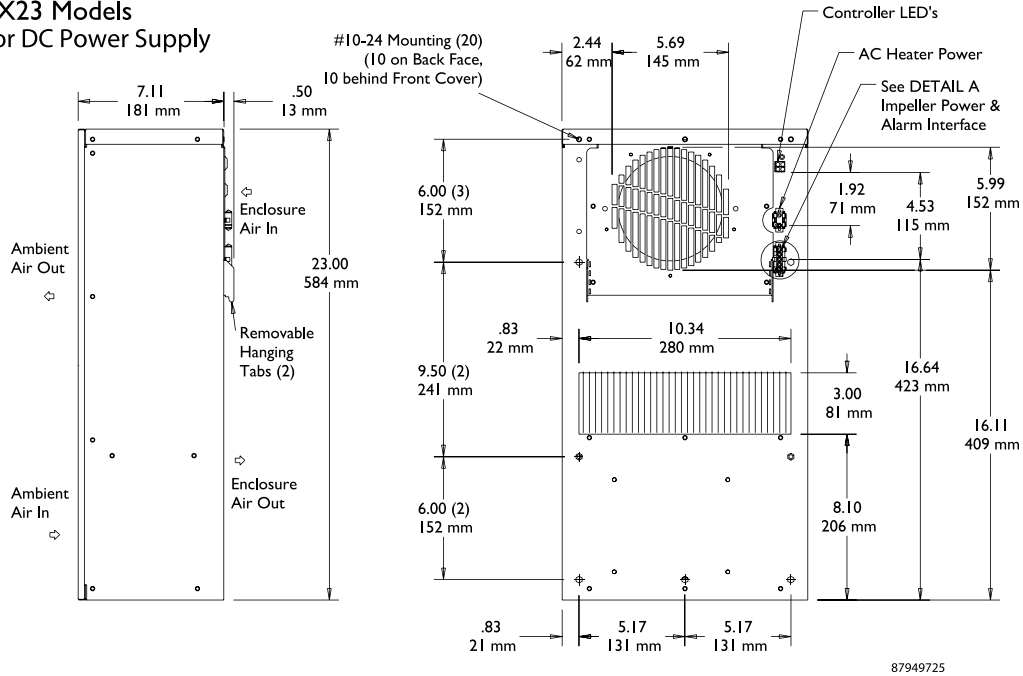
Heat Exchangers

TX23 Models For AC Power Supply

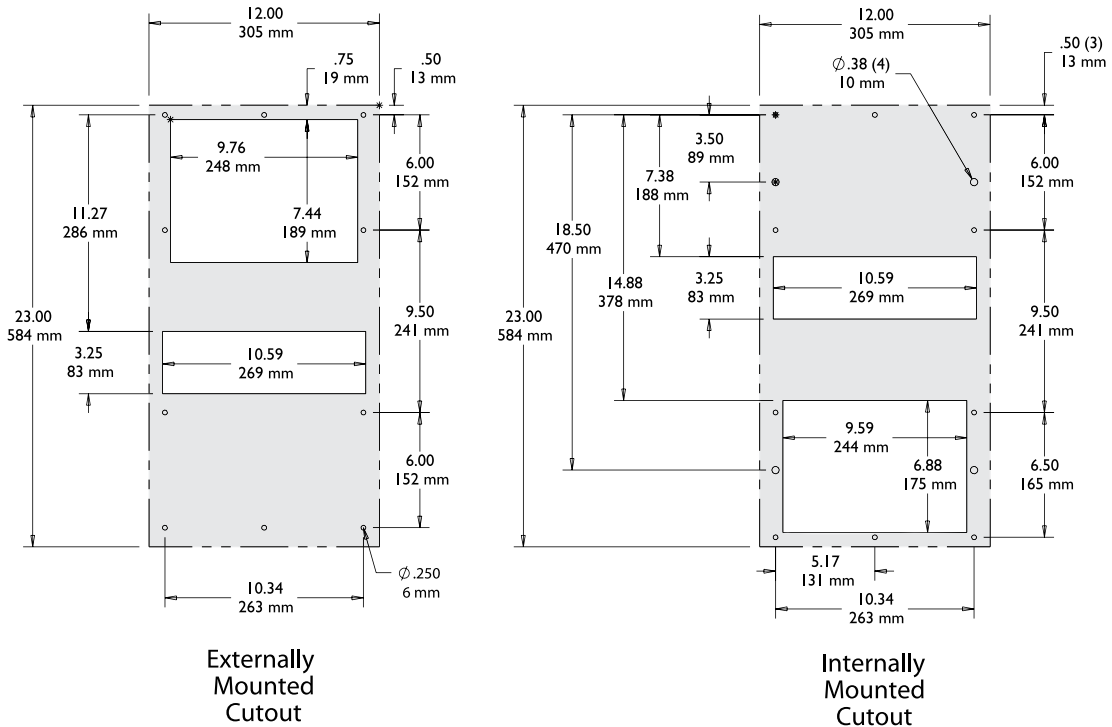


Heat Exchangers

**TX23 Models
For DC Power Supply**

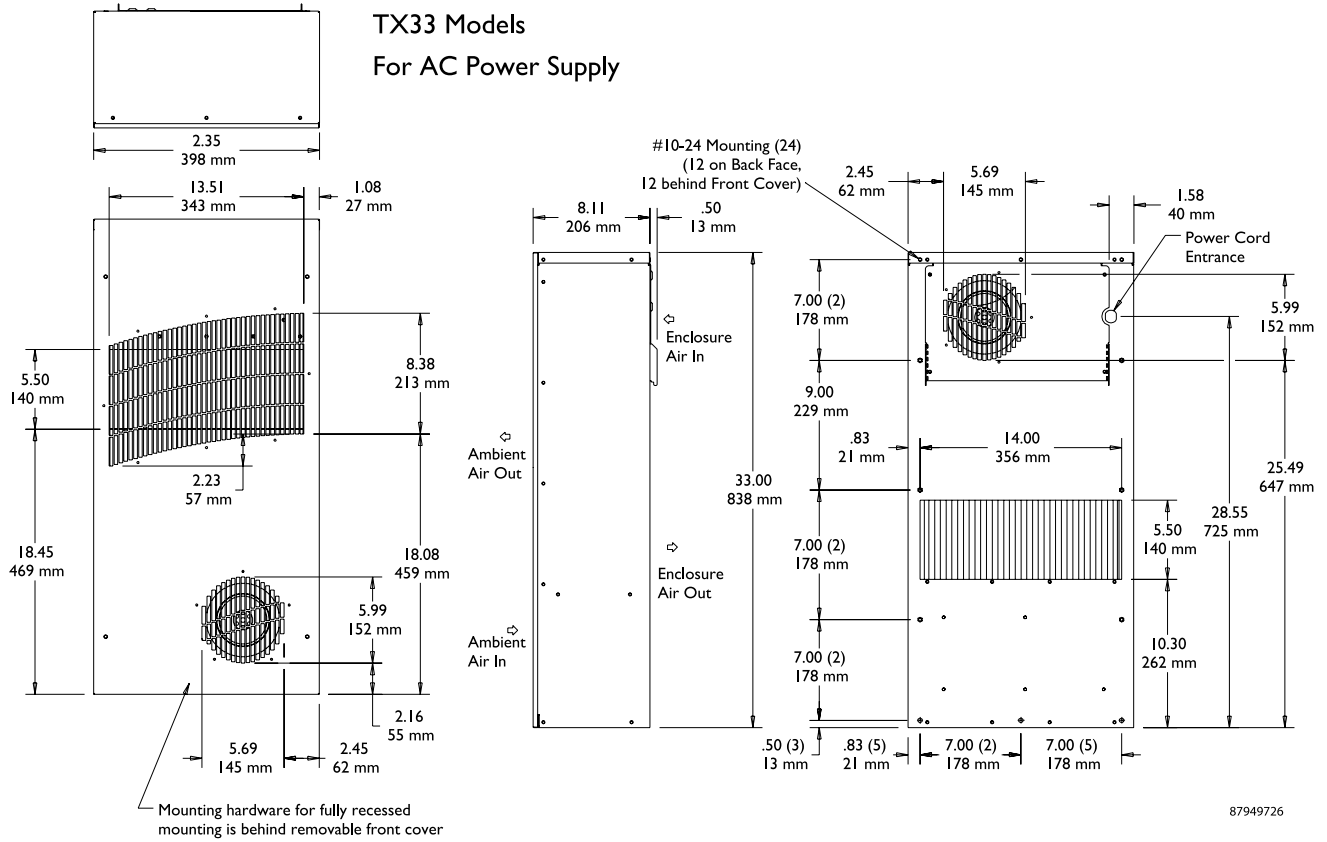


DETAIL A



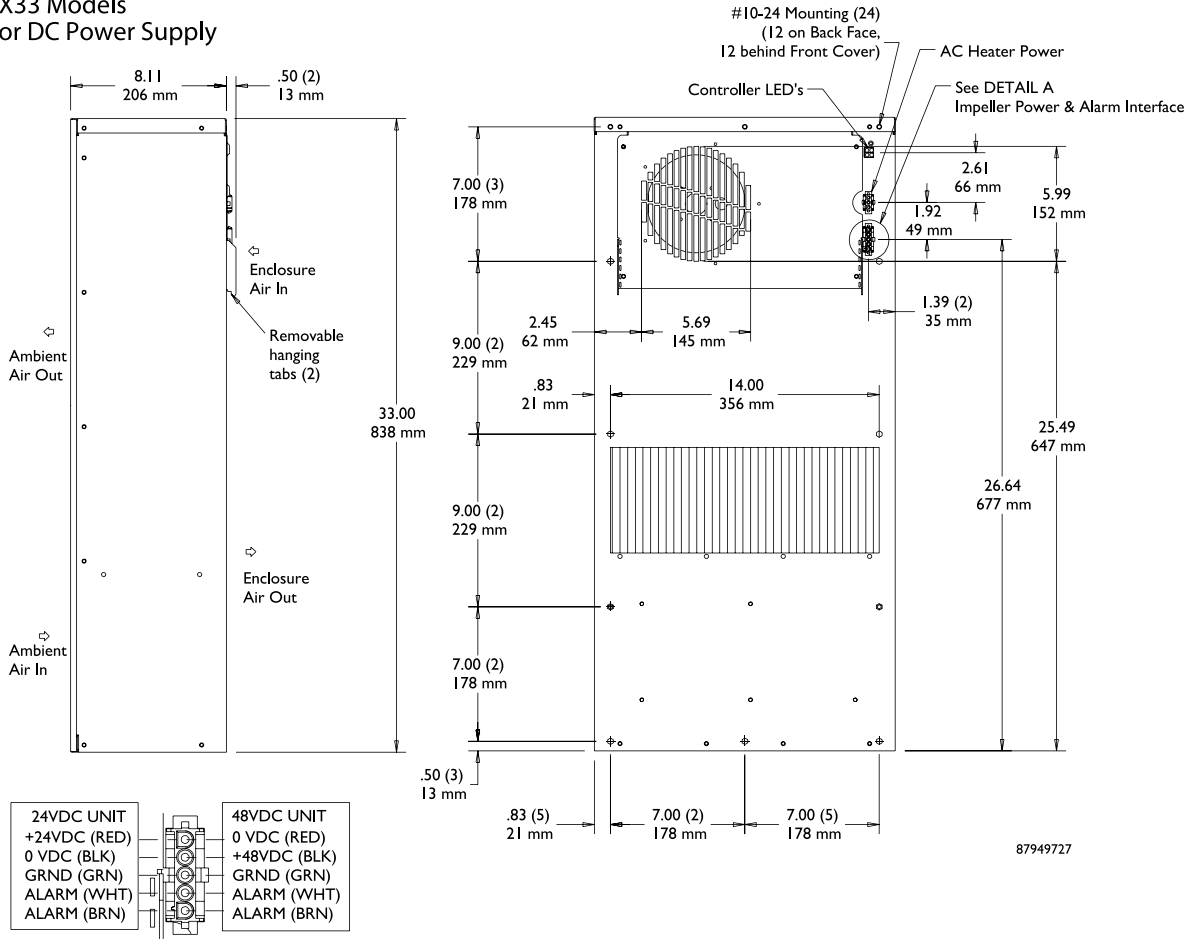
Heat Exchangers

TX33 Models For AC Power Supply

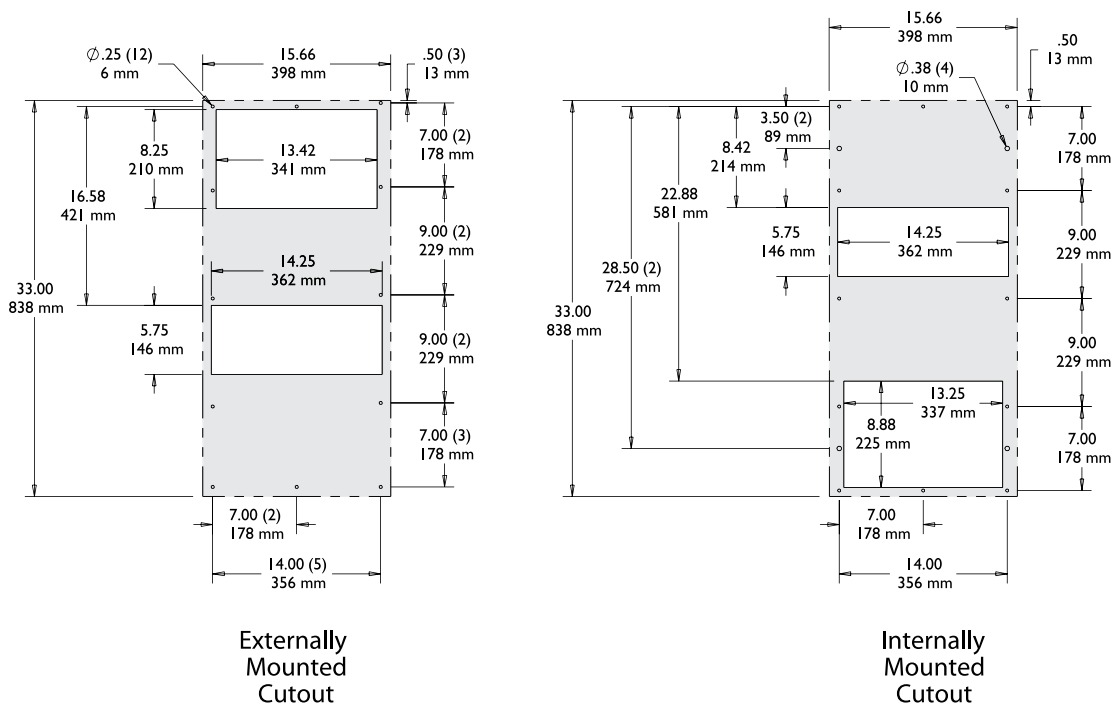


Heat Exchangers

**TX33 Models
For DC Power Supply**

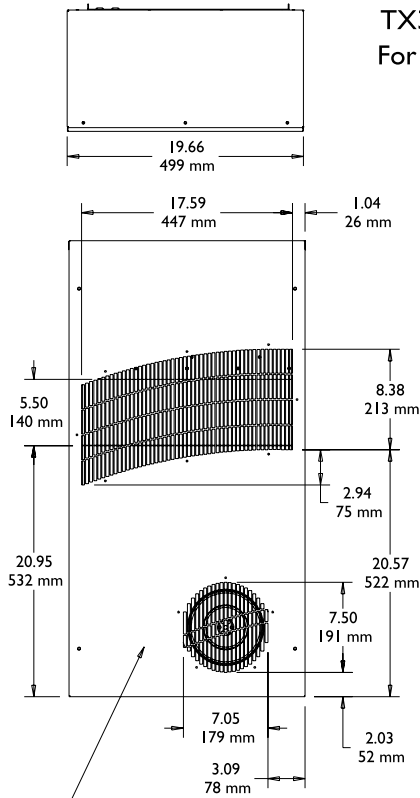


DETAIL A

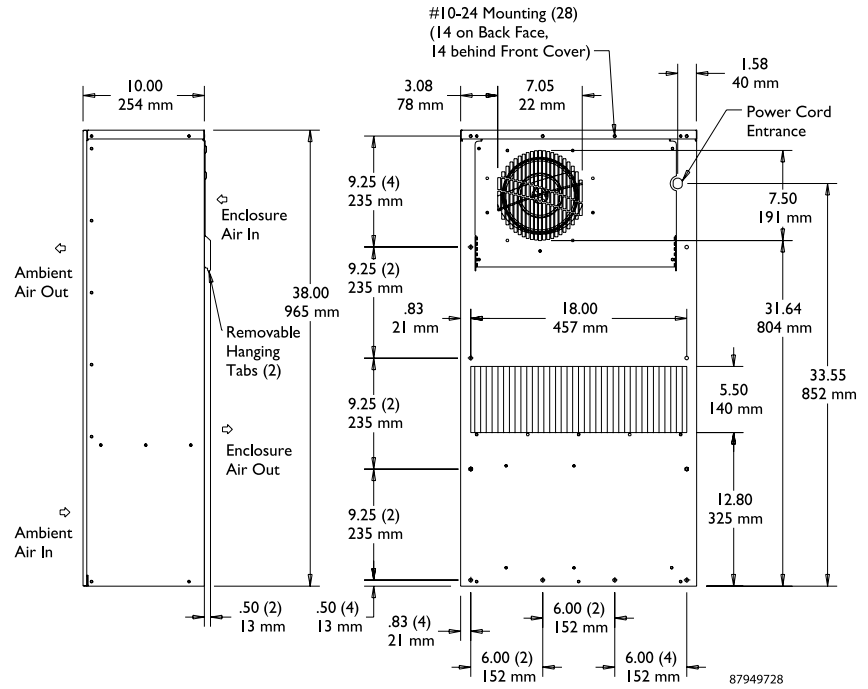


Heat Exchangers

TX38 Models For AC Power Supply



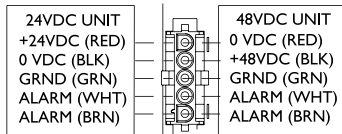
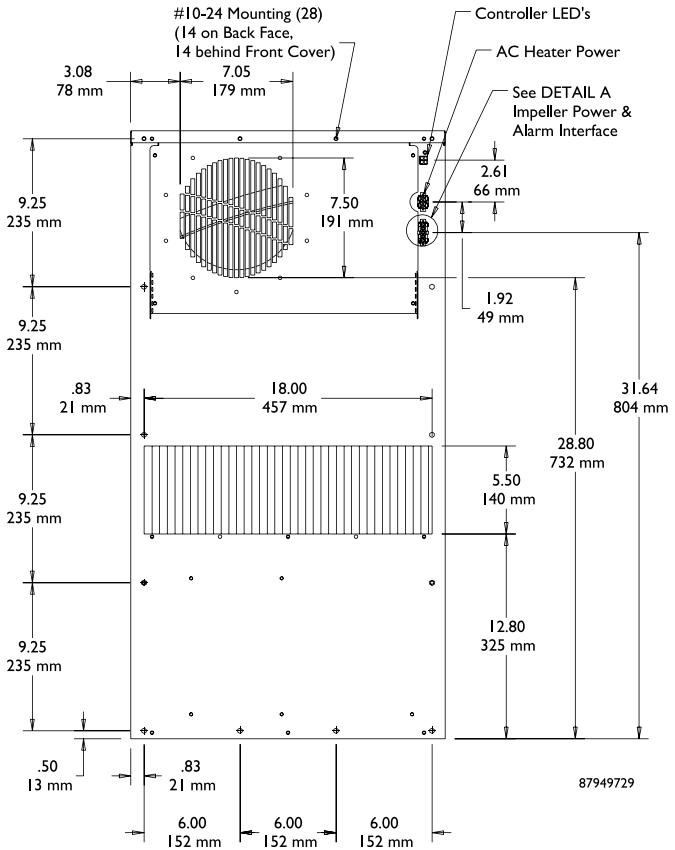
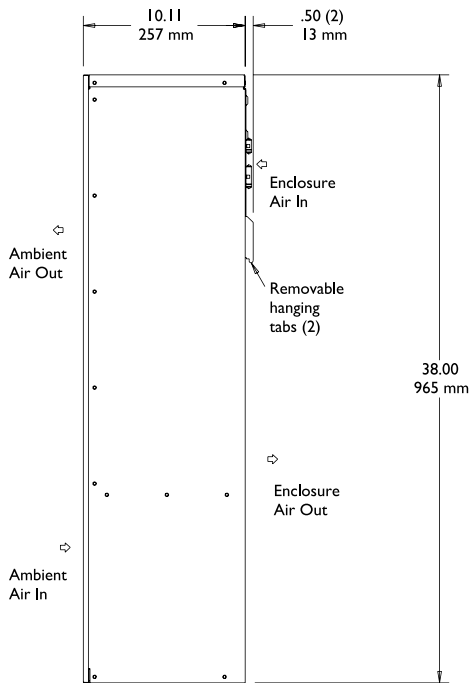
Mounting hardware for fully recessed mounting is behind removable front cover



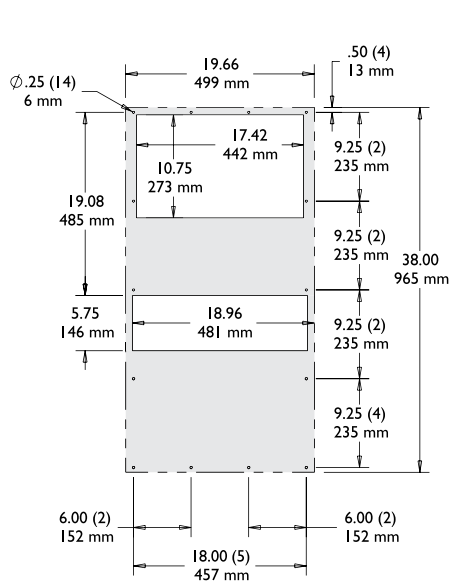
87949728

Heat Exchangers

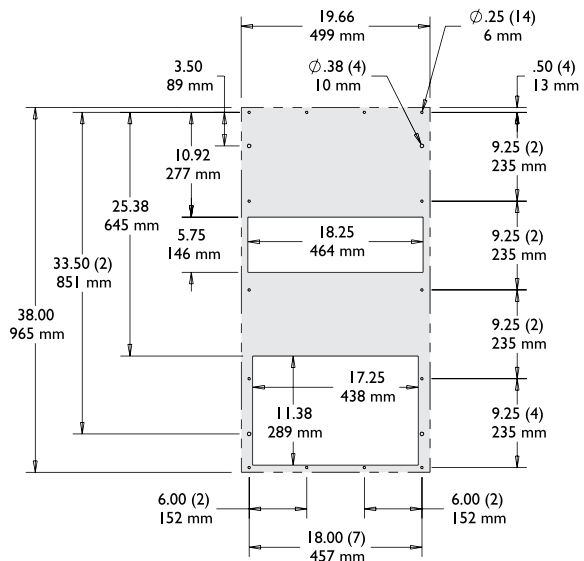
**TX38 Models
For DC Power Supply**



DETAIL A



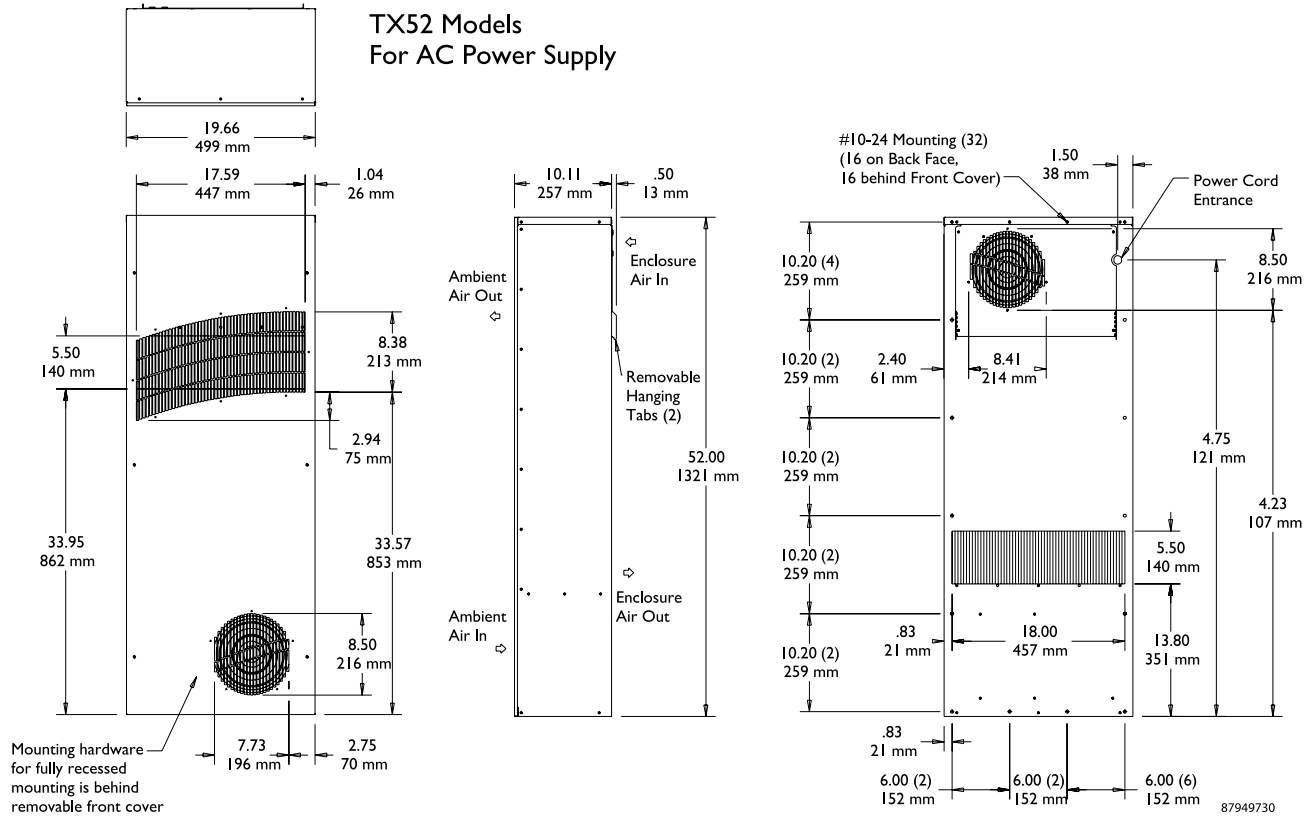
Externally Mounted Cutout



Internally Mounted Cutout

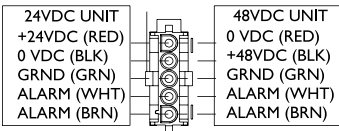
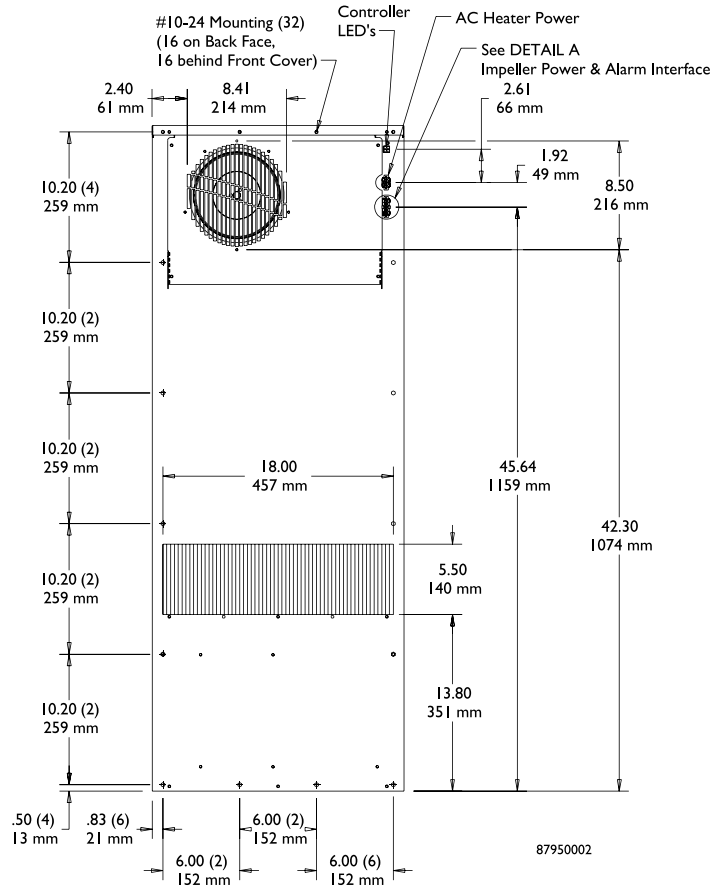
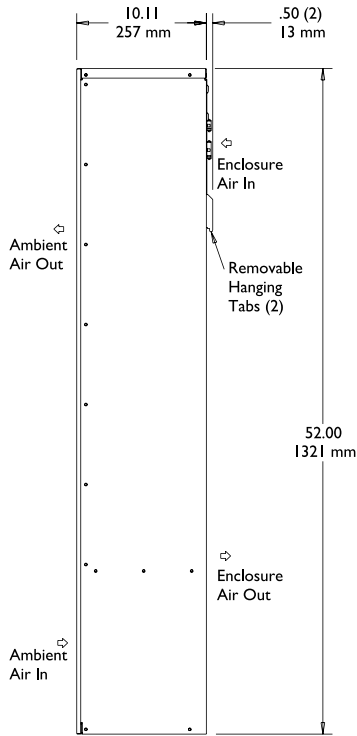
Heat Exchangers

TX52 Models For AC Power Supply

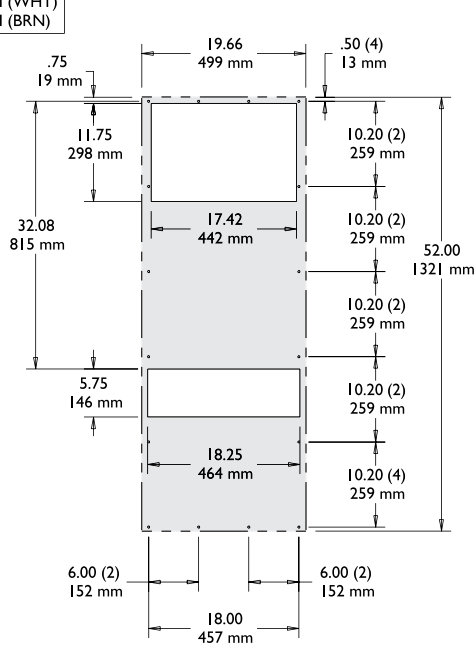


Heat Exchangers

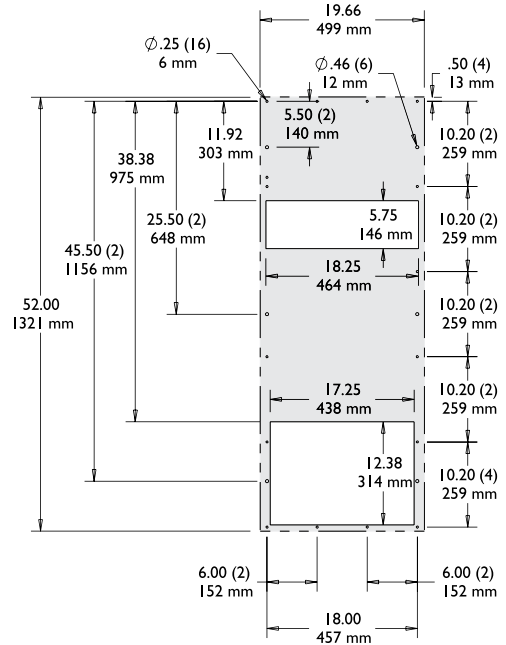
**TX52 Models
For DC Power Supply**



DETAIL A



Externally Mounted Cutout



Internally Mounted Cutout



Heat Exchangers

Notes