

Air Conditioners

GENESIS™ Top-Mount Series Air Conditioner



Industry Standards

Maintains UL/cUL Type 12 rating when properly installed on a UL/cUL Type 12 enclosure.

UL/cUL Recognized; File No. SA6453

Application

The Top-Mount GENESIS™ Air Conditioner is ideal for applications that have little or no clearance around the sides of an enclosure.

Features

- Removable air filter
- High-performance CFM ball-bearing centrifugal blowers
- Unique condensate management system
- All units use a universally accepted CFC-free or environmentally safe refrigerant
- Mounting gaskets and instruction manual furnished
- Closed-loop cooling

Finish

- Body: RAL 7042 smooth gray polyester powder coating
- Grille: RAL 7035 light gray

Notes

Hoffman top-mount units are directly interchangeable with comparable GENESIS and Slimboy models.

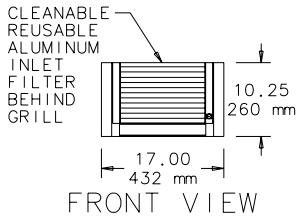
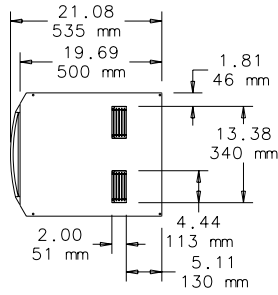
Bulletin: MCL

Standard Product

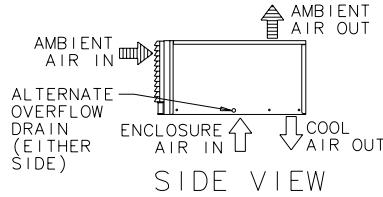
Catalog Number	Voltage	Hz	Phase	BTU/Hr (Watts) @ 125 F/125 F	Full Load Amps	Max. Ambient Temp. (°F)	Max. Ambient Temp. (°C)	Shipping Weight (lb.)	Shipping Weight (kg)
MHB110216G306	115	50/60	1	2200/2200	9.7/9.0	125	52	104	47
MHB110226G306	230	50/60	1	2200/2200	5.5/4.6	125	52	104	47
MHB110246G400	460	50/60	1	2200/2200	3.0/2.5	125	52	110	50
MHB110416G307	115	50/60	1	3300/4000	14.7/13.6	125	52	118	54
MHB110426G306	230	50/60	1	3300/4000	8.0/7.5	125	52	118	54
MHB110446G400	460	50/60	1	3300/4000	4.4/4.1	125	52	128	58

Replacement Filter No.10100056

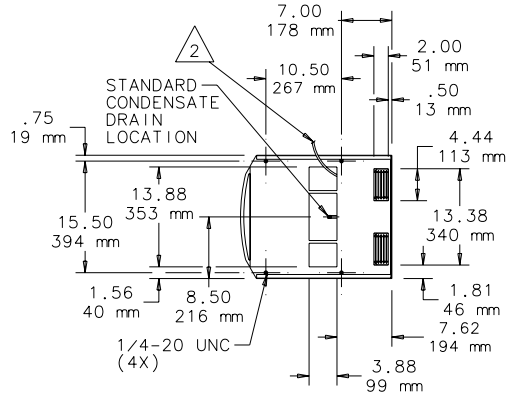
Air Conditioners



FRONT VIEW



SIDE VIEW

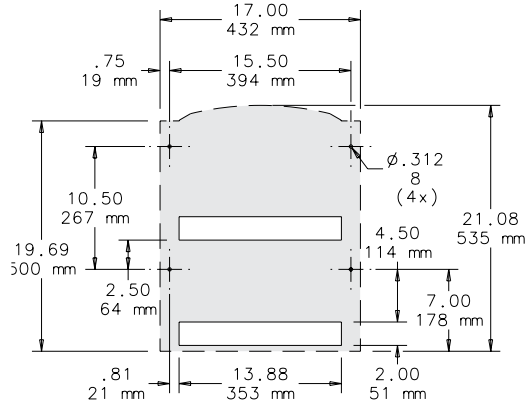


BOTTOM VIEW

87939702

NOTE:

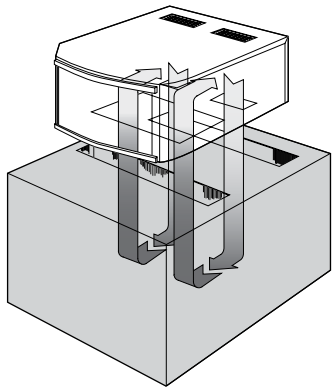
1. Gasket kit for mounting to enclosure included.
 2. Service cord.
 3. Condensate from enclosure drains to bottom of unit, where it is evaporated by condenser heat.
 4. Condensate overflow drain hose included.
- Number in triangle in CAD views refers to note number.



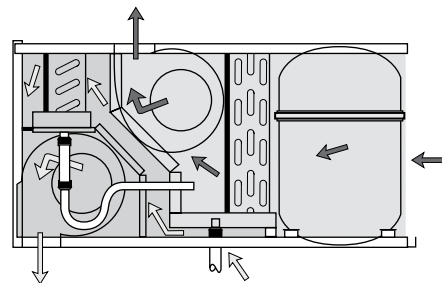
CUTOUT

NOTE:

1. Shaded area represents air conditioner.
 2. Cutout dimensions for standard products only.
 3. Full-size mounting template provided.
- Number in triangle in CAD views refers to note number.



Top-Mount to Enclosure



■ Ambient airflow
■ Clean airflow