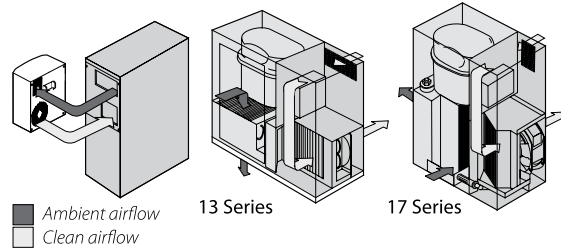


Air Conditioners

GENESIS™ Side-Mount Compact Air Conditioner



Industry Standards

Maintains U/cUL Type 12 rating when properly installed on a UL/cUL Type 12 enclosure.

UL/cUL Listed; File No. SA6453

CE

Application

13 Series and 17 Series compact air conditioners cool 25- to 40-cu. ft. enclosures in indoor applications.

Features

- High-performance, industrial-grade ball-bearing fans
- Removable air filter and grille
- Built-in hanging brackets
- All units use a universally accepted CFC-free or environmentally safe refrigerant
- Mounting hardware, gaskets, mounting template and instruction manual furnished
- Closed-loop cooling

Finish

- Body: RAL 7042 smooth gray polyester powder coating
- Grille: RAL 7035 light gray

Notes

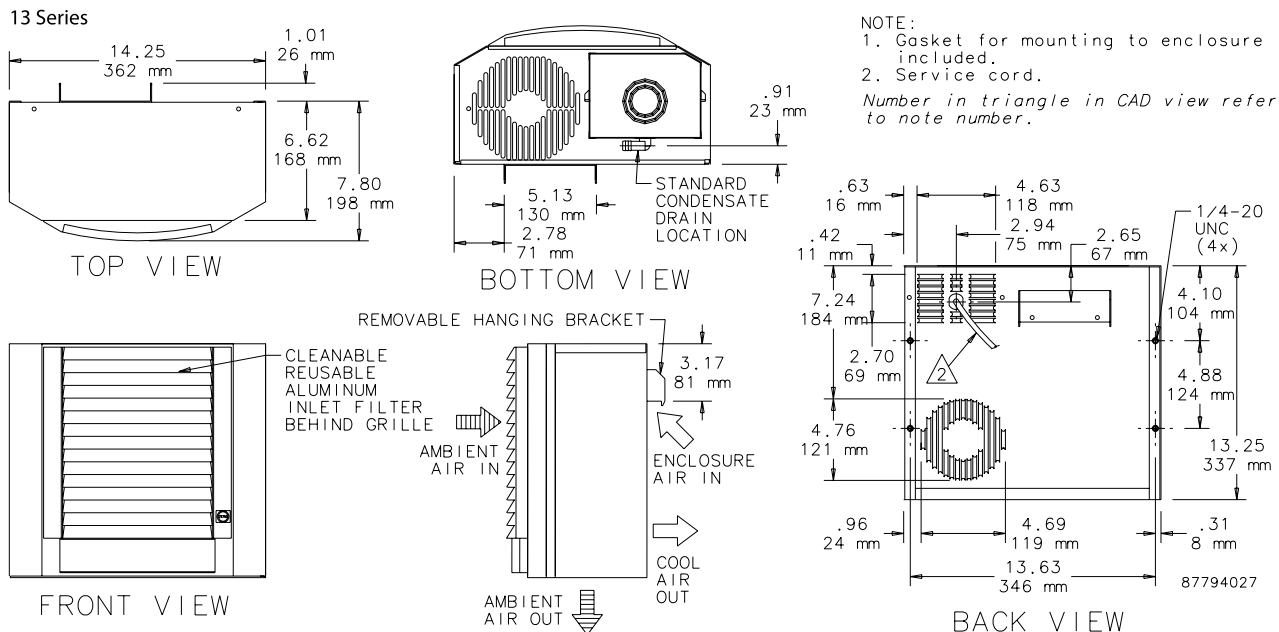
Hoffman side-mount models are directly interchangeable with comparable Slimboy and GENESIS models.

Bulletin: MCL

Standard Product GENESIS Side-Mount 13 Series

Catalog Number	Voltage	Hz	Phase	BTU/Hr. @ 125 F/125 F	Full Load Amps	Max. Ambient Temp. (°F)	Max. Ambient Temp. (°C)	Shipping Weight (lb.)	Shipping Weight (kg)
M130116G1014	115	50/60	1	800/1000	4.0/4.0	125	52	48	22
M130126G1008	230	50/60	1	800/1000	2.2/2.1	125	52	48	22
M130146G1400	460	50/60	1	800/1000	1.2/1.2	125	52	58	26

Replacement filter No. 10100057



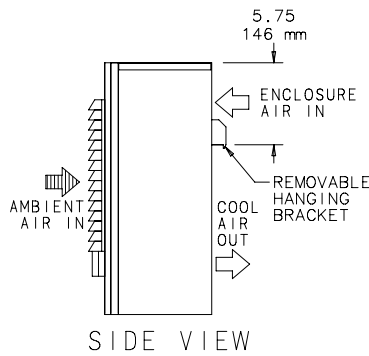
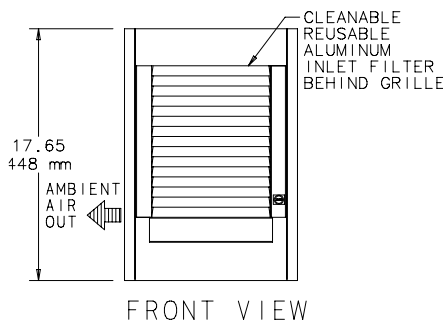
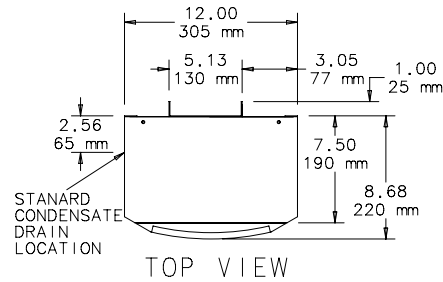
Air Conditioners

Standard Product GENESIS Side-Mount 17 Series

Catalog Number	Voltage	Hz	Phase	BTU/Hr. @ 125 F/125 F	Full Load Amps	Max. Ambient Temp. (°F)	Max. Ambient Temp. (°C)	Shipping Weight (lb.)	Shipping Weight (kg)
M170216G009	110/115	50/60	1	1500/1800	6.6/6.7	125	52	56	25
M170226G004	220/230	50/60	1	1500/1800	4.2/3.7	125	52	56	25
M170246G400	460	50/60	1	1500/1800	2.3/2.0	125	52	66	30

Replacement Filter No. 10100057

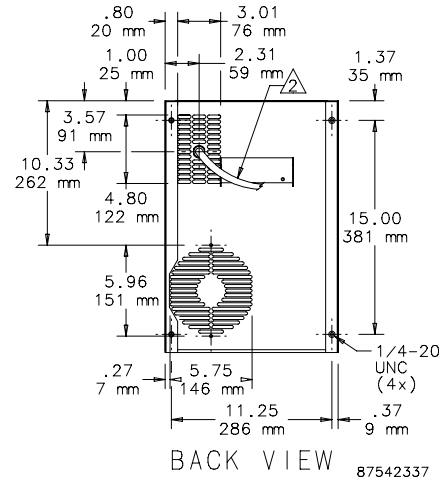
17 Series



NOTE:

- Gasket kit for mounting to enclosure included.
- Service cord.
- Condensate from enclosure drains to bottom of unit, where it is evaporated by condenser heat.

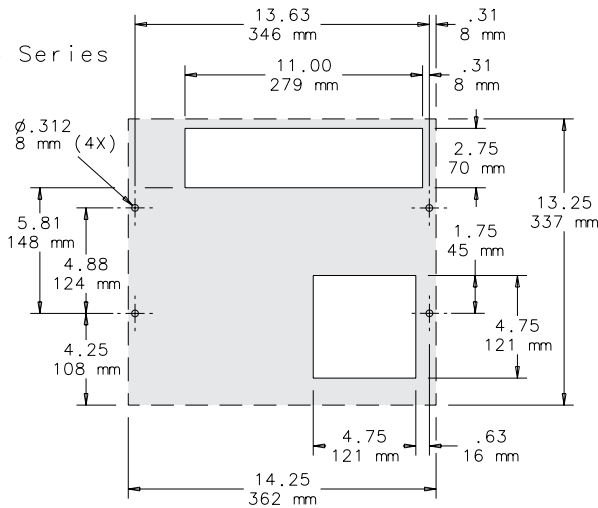
Number in triangle in CAD view refers to note number.



87542337

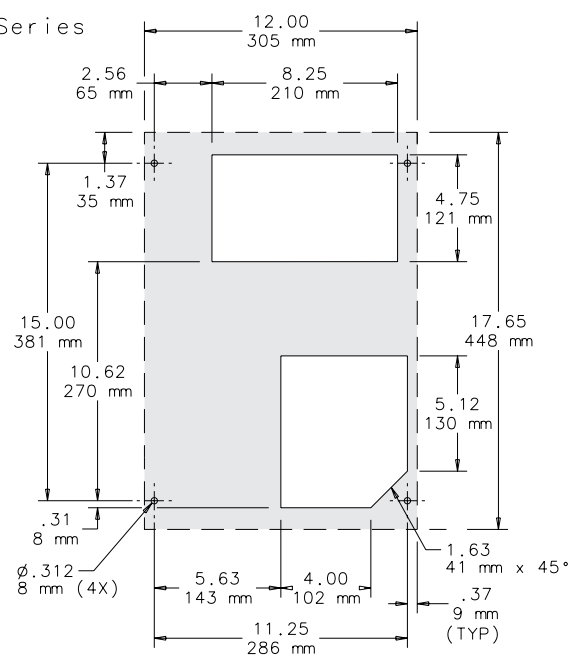
Cutout Dimensions

13 Series



- NOTE:
- Shaded area represents air conditioner.
 - Cutout dimensions for standard products only.
 - Full-size mounting template provided.

17 Series



87939691