

CAMDEN NEW PRODUCTS

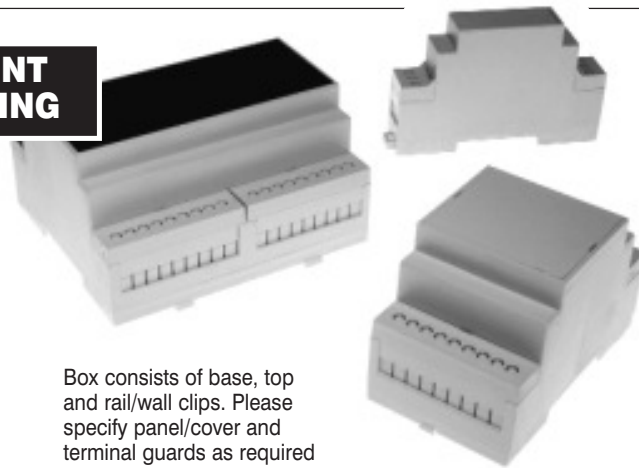
E L E C T R O N I C S L T D

DIN Rail Standard Height Module Boxes

Features

- Snap fit kit for easy assembly
- Boxes fit 35mm DIN rail or direct surface mount*
- Self customised perforated terminal covers as standard
- Snap fit terminal covers for IP20 finger protection
- Can carry up to 3 PCB's horizontally and 2/4 vertically
- Grey, transparent red or clear snap-in covers
- Front panel ideal for screen printing logo's etc
- Moulded in grey UL94-V0 flame retardant lexan
- Enclosed base eliminates any need for additional insulation
- Optional adaptor for G rail mounting
- Patent pending

PATENT PENDING



Box consists of base, top and rail/wall clips. Please specify panel/cover and terminal guards as required

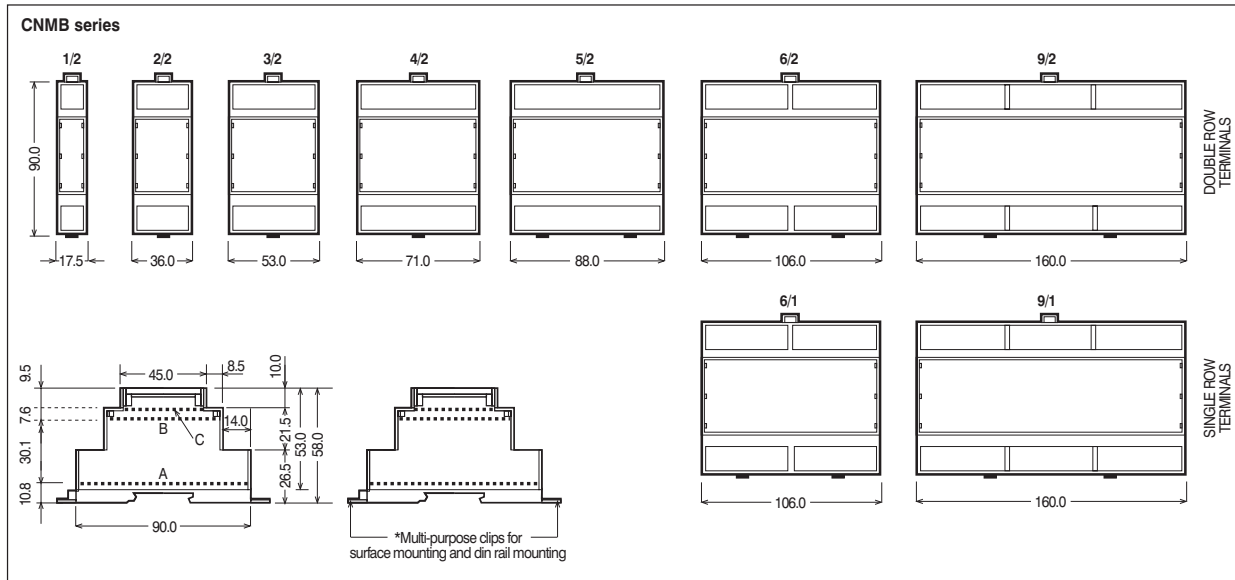
Optional Special Features

- Customised terminal guards
- Alternative black higher rated RTI material
- Other colours including Black, Green and Blue
- Boxes with solid integrated top cover
- EMC shielded metallic coated boxes

Specification

Part No	Box size	Box length	A horizontal	B horizontal	C horizontal	E vertical	F vertical
CNMB/1-	1	17.5mm	86.5x14	57x14	41.8x14	34x59.6	40x14.8
CNMB/2-	2	36mm	86.5x33	57x32	42x32	34x59.7	40x33
CNMB/3-	3	53mm	86.5x50	57x49	42x49	34x59.8	40x50
CNMB/4-	4	71mm	86.5x68	57x67	42x67	34x59.9	40x68
CNMB/5-	5	88mm	86.5x84	57x83	42x83	34x59.10	40x84
CNMB/6-	6	106mm	86.5x103	57x102	42x102	34x59.11	40x103
CNMB/9-	9	160mm	86.5x155	57x155.4	42x154	34x59.12	40x155

N.B. CNMB/-/2 = terminal access + covers on both sides of box
 CNMB/-/1 = terminal access + covers on one side only other side closed



NEW PRODUCTS

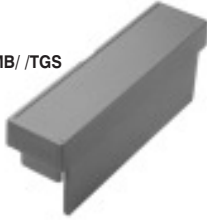
CAMDEN NEW PRODUCTS

E L E C T R O N I C S L T D

NEW PRODUCTS

Terminal Guards

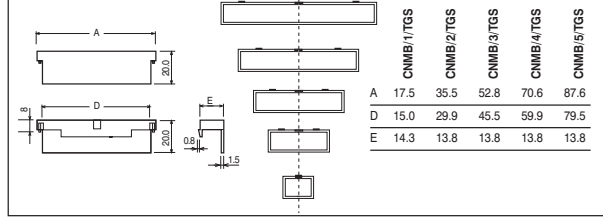
CNMB/ /TGS



Type No.	Material
CNMB/1/TGS	Solid
CNMB/2/TGS	Solid
CNMB/3/TGS	Solid
CNMB/4/TGS	Solid
CNMB/5/TGS	Solid

For 6 & 9 size module use
CNMB/3TGS

CNMB/ /TGS series



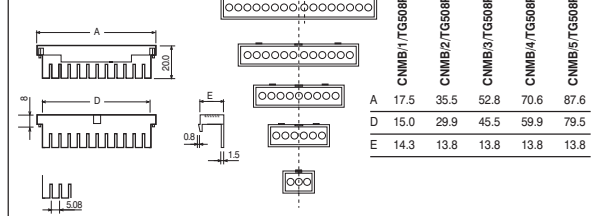
CNMB/ /TG508P



Type No.	Poles
CNMB/1/TG508P	3
CNMB/2/TG508P	6
CNMB/3/TG508P	9
CNMB/4/TG508P	12
CNMB/5/TG508P	15

For 6 & 9 size module use
CNMB/3/TG508P

CNMB/ /TG508P series



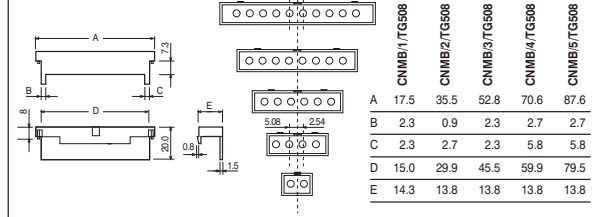
CNMB/ /TG508



Type No.	Poles
CNMB/1/TG508	3
CNMB/2/TG508	6
CNMB/3/TG508	9
CNMB/4/TG508	12
CNMB/5/TG508	15

For 6 & 9 size module use
CNMB/3/TG508

CNMB/ /TG508 series



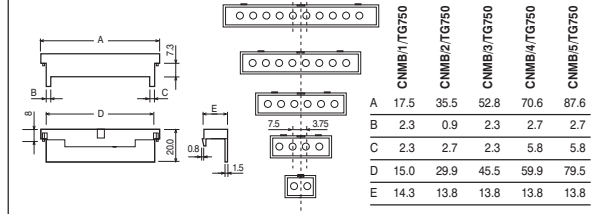
CNMB/ /TG750



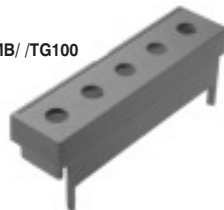
Type No.	Poles
CNMB/1/TG750	2
CNMB/2/TG750	4
CNMB/3/TG750	6
CNMB/4/TG750	8
CNMB/5/TG750	10

For 6 & 9 size module use
CNMB/3/TG750

CNMB/ /TG750 series



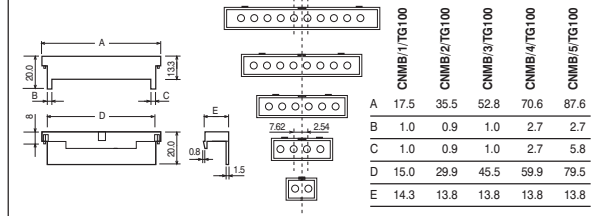
CNMB/ /TG100



Type No.	Poles
CNMB/1/TG100	2
CNMB/2/TG100	3
CNMB/3/TG100	5
CNMB/4/TG100	6
CNMB/5/TG100	7

For 6 & 9 size module use
CNMB/3/TG100

CNMB/ /TG100 series



FM28614
BS EN ISO 9002:
1994

Tel: +44 (0)1727 864437 Fax: +44 (0)1727 855400
E-mail: info@camden-electronics.co.uk Website: www.camden-electronics.co.uk

Because we operate a constant improvement policy, our products are subject to change without notice.

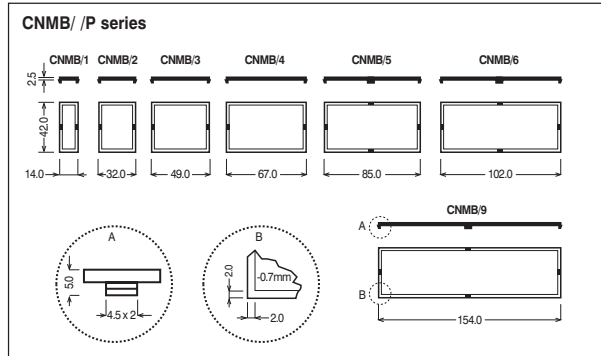
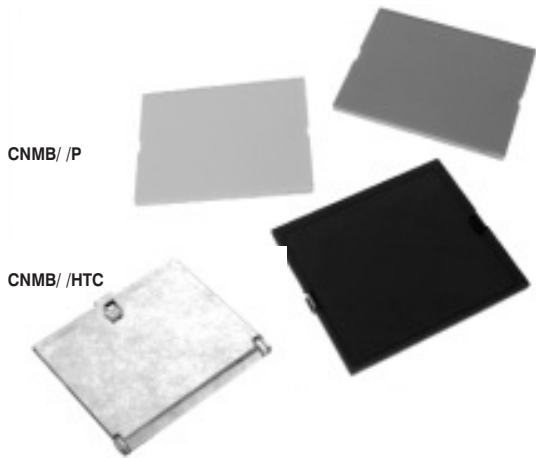


E L E C T R O N I C S L T D

CAMDEN NEW PRODUCTS

E L E C T R O N I C S L T D

Panel/Covers



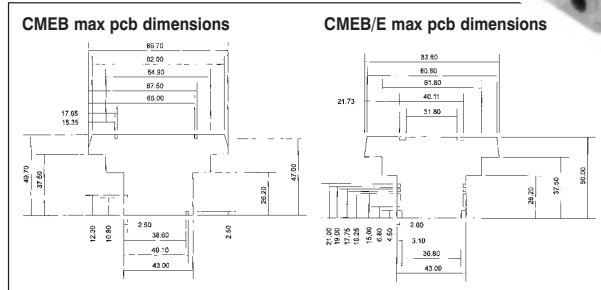
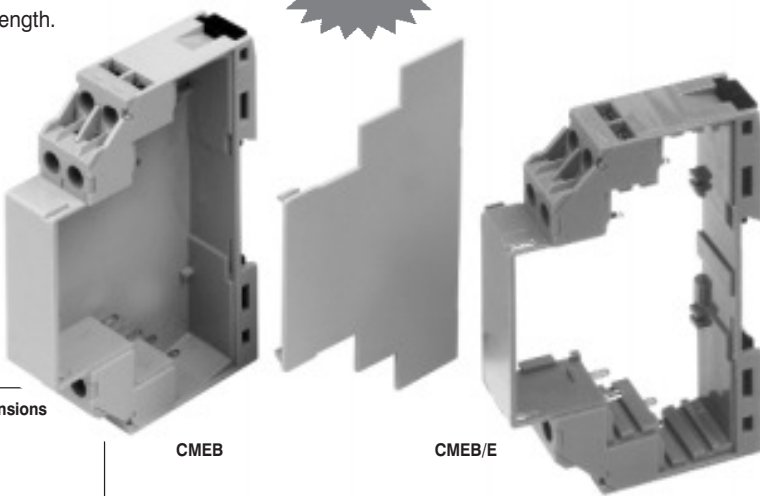
Type No.	Description
CNMB/1/PR	Red transparent cover
CNMB/2/PR	Red transparent cover
CNMB/3/PR	Red transparent cover
CNMB/4/PR	Red transparent cover
CNMB/5/PR	Red transparent cover
CNMB/6/PR	Red transparent cover
CNMB/9/PR	Red transparent cover
CNMB/1/PC	Clear transparent cover
CNMB/2/PC	Clear transparent cover
CNMB/3/PC	Clear transparent cover
CNMB/4/PC	Clear transparent cover
CNMB/5/PC	Clear transparent cover
CNMB/6/PC	Clear transparent cover
CNMB/9/PC	Clear transparent cover
CNMB/1/PS	Smoked transparent cover
CNMB/2/PS	Smoked transparent cover
CNMB/3/PS	Smoked transparent cover
CNMB/4/PS	Smoked transparent cover
CNMB/5/PS	Smoked transparent cover
CNMB/6/PS	Smoked transparent cover
CNMB/9/PS	Smoked transparent cover
CNMB/1/PG	Grey cover
CNMB/2/PG	Grey cover
CNMB/3/PG	Grey cover
CNMB/4/PG	Grey cover
CNMB/5/PG	Grey cover
CNMB/6/PG	Grey cover
CNMB/9/PG	Grey cover

Extendable Module Box

A 17.5mm width module box, extendable to required length. The main box has a detachable end plate and the extension box is sideless. Each module, as standard, has 8 screw terminals which are removable as required.

Features

- 17.5mm multiples
- Top hat 35mm din rail or surface mounting
- Flame retardant UL 94V0 material
- Max 2 x 2.5mm² solid or stranded
- Terminal protection to IP20



Type No.	Description
CMEB	17.5mm Module box
CMEB/E	Extension

NEW PRODUCTS



Tel: +44 (0)1727 864437 Fax: +44 (0)1727 855400
 E-mail: info@camden-electronics.co.uk Website: www.camden-electronics.co.uk

Because we operate a constant improvement policy, our products are subject to change without notice.



FM28614
 BS EN ISO 9002:
 1994