

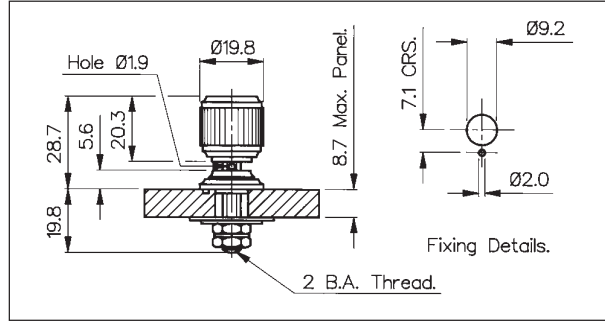
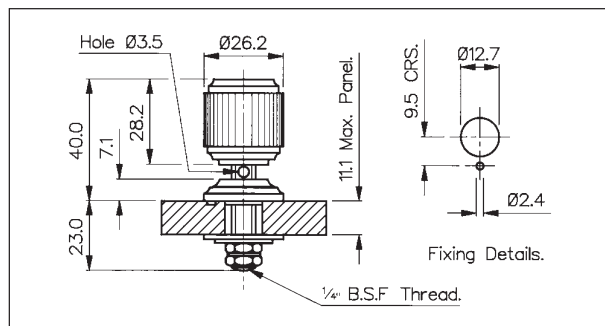
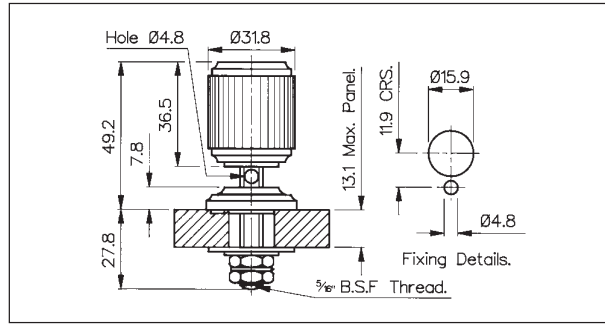


Crocodile Clips

M
I
S
C
E
L
L
A
N
E
O
U
S



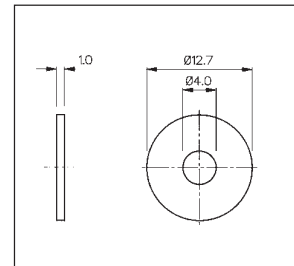
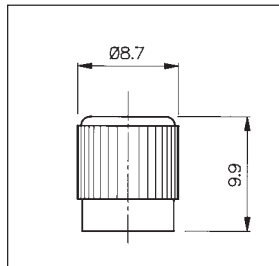
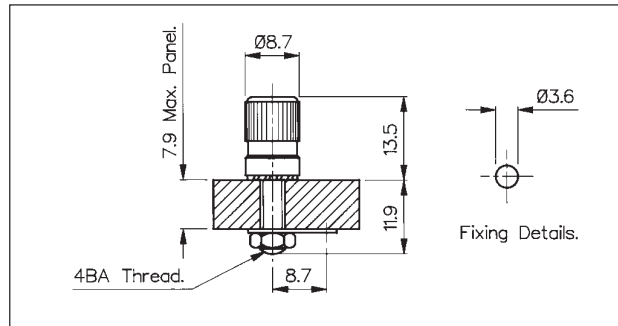
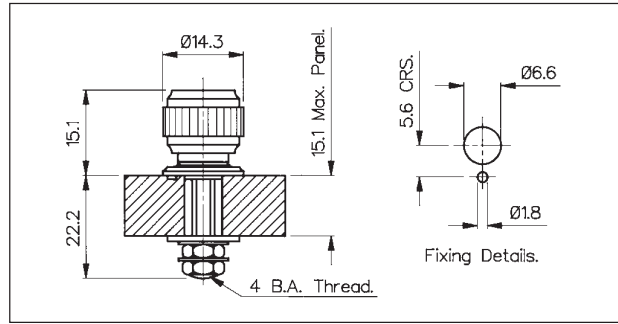
| | | | | |
|--------------|----------|--|---|--|
| Data | List No. | CR0005, CR0043. | CR0007, CR0008. | CR0018 |
| Type: | | General Purpose, non-insulated. | General Purpose with coloured sleeves. CR0007: Red, CR0008: Black. | Heavy Duty, straight jaws. |
| Max. Rating: | | 5A. | 5A. | 25A. |
| Material: | | CR0005 Steel, Bright Zinc Passivated. CR0043 Nickel \Bright Self-Finish. | Clip: Steel, Bright Zinc Passivated. Sleeves: PVC. | Steel, Tin Dipped. |
| Size: | | Overall length 42.0, jaws grip Ø8.4. | Overall length 44.0, jaws grip Ø6.0. | Overall length 58.7, jaws grip Ø12.7. |
| Data | List No. | CR0025, CR0026, CR0028. | CR0041. | CR0060 |
| Type: | | Heavy Duty, curved jaws. CR0025 “-”, CR0026 “+”, CR0028 unmarked. | Fine Wire Clip. | 2 Terminal Clip, for 4 terminal bridge application. |
| Max. Rating: | | 25A. | 5A. | 10A. |
| Size: | | Overall length 58.7 jaws grip Ø14.5 (at point of jaw). Ø19.0 (at centre). | Overall length 42.0. | Overall Length: 42.0. Jaws Grip: Ø8.0. |
| Material: | | Steel, Tin Dipped. | Nickel Silver, Self Finish. | Moulding: Glass Filled Nylon. Contacts: Brass, Silver Plated. |



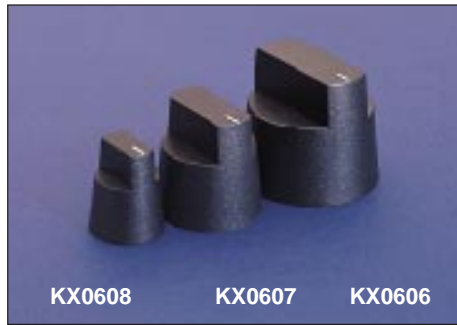
MISCELLANEOUS



| Data | List No. | TX0100 | TX0101 | TX0102 |
|--------------------|----------|---|---|---|
| Type: | | Black, non-captive head. Insulated from panel. | Black, non-captive head. Insulated from panel. | Black, non-captive head. Insulated from panel. |
| Max. Rating: | | 60A. | 30A. | 15A. |
| Breakdown Voltage: | | 3.5kV a.c. (to panel) | 3kV a.c. (to panel) | 2kV a.c. (to panel) |
| Temperature Range: | | -20°C to + 60°C. | -20°C to + 60°C. | -20°C to + 60°C. |
| Material: | | Moulding: High Impact Polystyrene. Terminal Head Insert: Brass, Self Finish. Washer Insert: Brass, Nickel Plated. | Moulding: High Impact Polystyrene. Terminal Head Insert: Brass, Self Finish. Washer Insert: Brass, Nickel Plated. | Moulding: High Impact Polystyrene. Terminal Head Insert: Brass, Self Finish. Washer Insert: Brass, Nickel Plated. |
| Variants: | | For Red add /RD to List No. | For Red add /RD to List No. | For Red add /RD to List No. |



| Data | List No. | TX0103 | TX0002 | PNo. 268, PNo. 4035 |
|--------------------|----------|---|--|---|
| Type: | | Black, non-captive head. Insulated from panel. | Black, non-captive head. LIVE to panel. | Moulded terminal head. PNo. 268 - black, 4BA thread. PNo. 4035 - red, 6BA thread. |
| Max. Rating: | | 7.5A. | 5A. | |
| Breakdown Voltage: | | 1kV a.c. (to panel). | | |
| Temperature Range: | | -20°C to + 60°C. | | |
| Material: | | Moulding: High Impact Polystyrene. Terminal Head Insert: Brass, Self Finish. Washer Insert: Brass, Nickel Plated. | Moulding: Phenolic. Stem and Collar: Brass, Nickel Plated. Tag: Brass, Tin Plated. | Moulding: Phenolic. Insert: Brass, Self Finish. |
| Variants: | | For Red add /RD to List No. | Insulating washer P.No.834 (flat). | |



M
I
S
C
E
L
L
A
N
E
O
U
S



| Data \ List No. | KX0606 | KX0607 | KX0608 | KX0370 | KX0370 & KX0372 | |
|--------------------|---|----------------------------|----------------------------|----------------------------|----------------------------|--|
| Ø: | 14.0 | 21.0 | 28.1 | 31.8 | 47.6 | |
| Height: | 16.5 | 20.3 | 24.1 | 14.3 | 17.5 | |
| Shaft: | Ø: 6.4 Length: 8.9 | Ø: 6.4 Length: 9.3 | Ø: 6.4 Length: 22.6 | Ø: 6.4 Length: 9.5 | Ø: 6.4 Length: 12.8 | |
| Nut Recess: | Ø: 11.0 Depth: 2.4 | Ø: 17.5 Depth: 2.8 | Ø: 24.5 Depth: 2.8 | | Ø: 18.3 Depth: 3.2 | |
| Radius to Pointer: | | | | 19.8 | | |
| Fixing: | Slotted head grub screw. (Allen key to agreed order). | | | | | |
| Mouldings: | Thermoplastic. | Thermoplastic. | Thermoplastic. | Phenolic. | Phenolic. | |
| Inserts: | Brass, Nickel Plated. | Brass, Nickel Plated. | Brass, Nickel Plated. | Brass, Nickel Plated. | Brass, Nickel Plated. | |
| Grub Screws: | Steel, Zinc Passivated. | Steel, Zinc Passivated. | Steel, Zinc Passivated. | Steel, Zinc Passivated. | Steel, Zinc Passivated. | |
| Variants: | Other shafts, colours and indicator lines (/IL) may be available to agreed order. | | | | | |



Grub Screw & Collet Fixing

M
I
S
C
E
L
L
A
N
E
O
U
S



| Data \ List No. | KX0107 | KX0357 | | | | |
|--------------------|---|----------------------------|--|--|--|--|
| Ø: | | | | | | |
| Height: | 12.7 | 15.9 | | | | |
| Shaft: | Ø: 6.4 Length: 9.5 | Ø: 6.4 Length: 11.9 | | | | |
| Nut Recess: | Ø: 14.3 Depth: 1.6 | Ø: 15.9 Depth: 2.4 | | | | |
| Radius to Pointer: | 15.9 | 15.9 | | | | |
| Decor Discs: | | | | | | |
| Fixing: | Slotted head grub screw. (Allen key to agreed order). | | | | | |
| Mouldings: | Phenolic. | Phenolic. | | | | |
| Inserts: | Brass, Nickel Plated. | Brass, Nickel Plated. | | | | |
| Grub Screws: | Steel, Zinc Passivated. | Steel, Zinc Passivated. | | | | |
| Variants: | Other shafts, colours and indicator lines (✓IL) may be available to agreed order. | | | | | |