



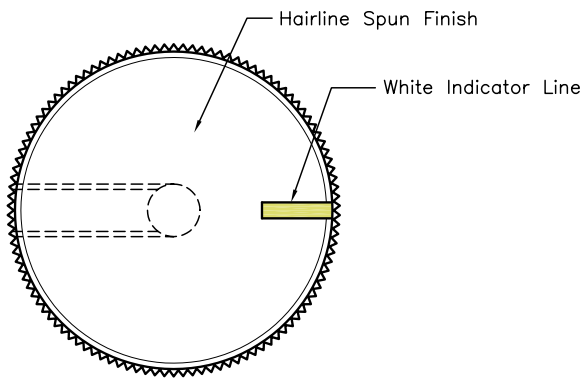
ALL RIGHTS RESERVED. NO PORTION OF THIS PUBLICATION, WHETHER IN WHOLE OR IN PART CAN BE REPRODUCED WITHOUT THE EXPRESS WRITTEN CONSENT OF SPC TECHNOLOGY.

SPC-F005.DWG

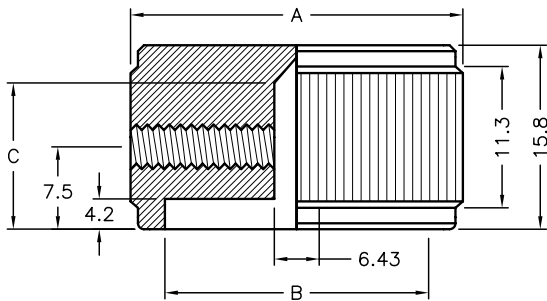
REVISIONS

DOC. NO. SPC-F005 * Effective: 7/8/02 * DCP No: 1398

DCP #	REV	DESCRIPTION	DRAWN	DATE	CHECKD	DATE	APPRVD	DATE
1933	A	RELEASED	EO	09/07/06	SA	09/13/06	HO	09/13/06



SET SCREW: M4 X 1pcs



MULTICOMP P/N	DIMENSIONS			FINISHED ANODIZED
	A	B	C	
MC21040	12.7	9.5	13.2	Silver
MC21041	19.0	15.0	13.4	
MC21042	23.8	18.0	13.0	
MC21043	31.8	25.0	13.0	
MC21044	19.0	15.0	13.4	Black
MC21045	23.8	18.0	13.0	
MC21046	31.8	25.0	13.0	

DISCLAIMER: ALL STATEMENTS AND TECHNICAL INFORMATION CONTAINED HEREIN ARE BASED UPON INFORMATION AND/OR TESTS WE BELIEVE TO BE ACCURATE AND RELIABLE. SINCE CONDITIONS OF USE ARE BEYOND OUR CONTROL, THE USER SHALL DETERMINE THE SUITABILITY OF THE PRODUCT FOR THE INTENDED USE AND ASSUME ALL RISK AND LIABILITY WHATSOEVER IN CONNECTION THEREWITH.

TOLERANCES: UNLESS OTHERWISE SPECIFIED, DIMENSIONS ARE FOR REFERENCE PURPOSES ONLY.

DRAWN BY:	DATE:
EKLAS ODISH	09/07/06
CHECKED BY:	DATE:
SAMI ALNADI	09/13/06
APPROVED BY:	DATE:
HISHAM ODISH	09/13/06

DRAWING TITLE: Solid Aluminum Knobs, Knurled Sides, Machine Finished			
SIZE	DWG. NO.	ELECTRONIC FILE	REV
A	TA-792	TA-792.DWG	A
SCALE: NTS	U.O.M.: MILLIMETERS	SHEET: 1 OF 1	