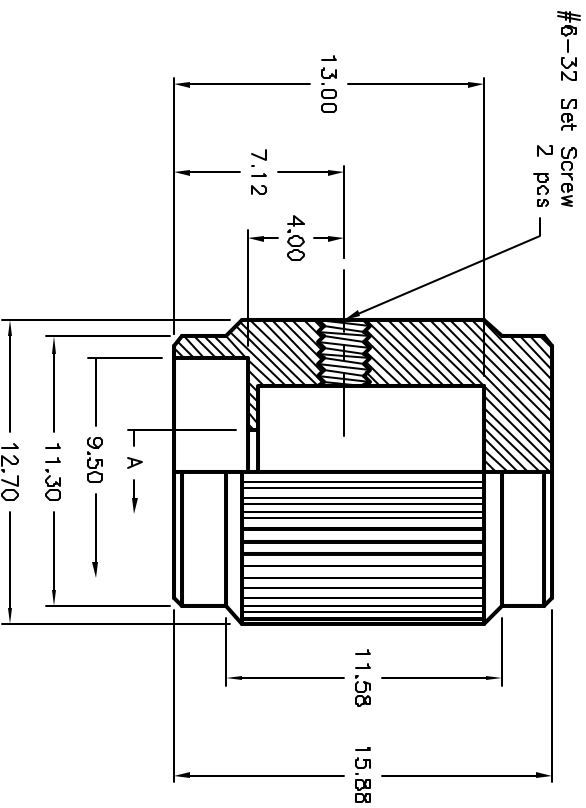
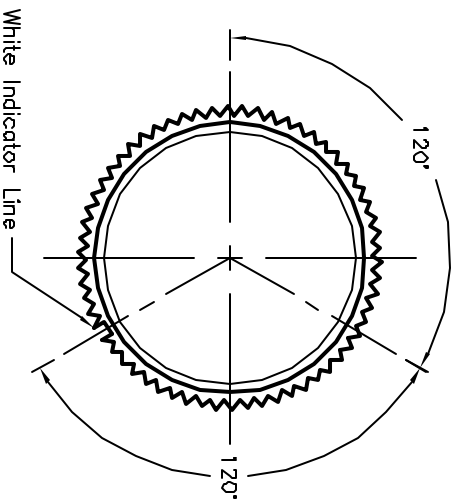




ALL RIGHTS RESERVED. NO PORTION OF THIS PUBLICATION, WHETHER IN WHOLE OR IN PART CAN BE REPRODUCED WITHOUT THE EXPRESS WRITTEN CONSENT OF SPC TECHNOLOGY.

SPC-FD06.DWG

| REVISONS | | DWG. NO. | SPC-FD06 | Effective 7/8/02 | DWG. NO. | 1308 |
|----------|-----|-------------|----------|------------------|----------|----------|
| DWG # | REV | DESCRIPTION | RELEASED | DATE | CHECKD | DATE |
| 1933 | A | | | 09/07/06 | JN | 03/24/08 |
| | | | | 03/24/08 | JN | 03/24/08 |



- Specifications:**
1. Material: Aluminum
 2. Anodized: Black

| Multicomp P/N | A |
|---------------|------|
| MC21038 | 6.40 |
| MC21039 | 3.20 |

DISCLAIMER:
ALL STATEMENTS AND TECHNICAL INFORMATION CONTAINED HEREIN ARE BASED UPON INFORMATION AND/OR TESTS WE BELIEVE TO BE ACCURATE AND RELIABLE. SINCE CONDITIONS OF USE ARE BEYOND OUR CONTROL, THE USER SHALL DETERMINE THE SUITABILITY OF THE PRODUCT FOR THE INTENDED USE AND ASSUME ALL RISK AND LIABILITY WHATSOEVER IN CONNECTION THEREWITH.

TOLERANCES:
UNLESS OTHERWISE SPECIFIED, DIMENSIONS ARE FOR REFERENCE PURPOSES ONLY.

| | | | |
|---------------------|-------------|--------------|----------|
| DRAWN BY: | EKLAS ODISH | DATE: | 09/07/06 |
| CHECKED BY: | Jason Nash | DATE: | 03/24/08 |
| APPROVED BY: | Jason Nash | DATE: | 03/24/08 |

| | | | |
|-----------------------|-----------------|---|-------------|
| DRAWING TITLE: | | Dial Type Knobs, Knurled Sides, Side Indicator Line, Solid Aluminum | |
| SIZE | DWG. NO. | ELECTRONIC FILE | REV |
| A | TA-785 | TA-785.DWG | A |
| SCALE: | NTS | U.O.M.: | MILLIMETERS |
| SHEET: | 1 | OF | 1 |