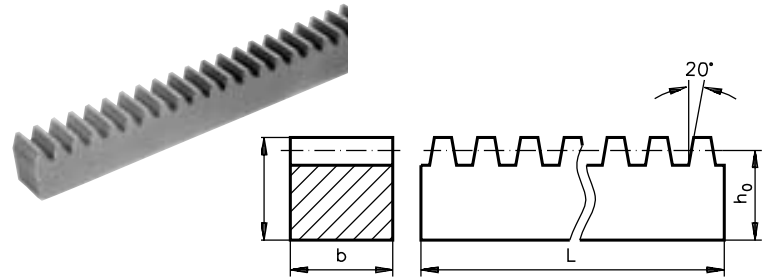


RACKS

- Pressure angle 20°



Material : Acetal

Order Code	Module	b	h _a	L	Weight (g)
104 281 601	0.5	4	4.5	250	6
104 281 602	0.5	4	6	250	8
104 282 601	0.7	6	6.7	250	13
104 283 601	1.0	9	9	250	25
104 284 601	1.25	10	11	250	34
104 285 601	1.5	12	12	250	43
104 286 601	2.0	15.4	11	250	44
104 288 601	3.0	19.4	15	250	76

Material : Delrin

Order Code	Module	b	h _a	h ₀	L	Weight (g)
104 291 601	0.5	4	6	5.5	250	8
104 292 601	0.7	5	7	6.3	250	11
104 293 601	1.0	10	10	9.0	250	32
104 293 603	1.0	10	10	9.0	500	63
104 294 601	1.25	10	10	8.75	250	31
104 294 603	1.25	10	10	8.75	500	61
104 295 601	1.5	15	15	13.5	250	72
104 295 603	1.5	15	15	13.5	500	140
104 295 605	1.5	15	15	13.5	1000	285
104 296 603	2.0	16	16	14.0	500	157
104 296 605	2.0	16	16	14.0	1000	312
104 296 607	2.0	16	16	14.0	1500	466
104 297 603	2.5	20	20	17.5	500	243
104 297 605	2.5	20	20	17.5	1000	489
104 297 607	2.5	20	20	17.5	1500	735
104 298 603	3.0	25	25	22.0	500	385
104 298 605	3.0	25	25	22.0	1000	772
104 298 607	3.0	25	25	22.0	1500	1146

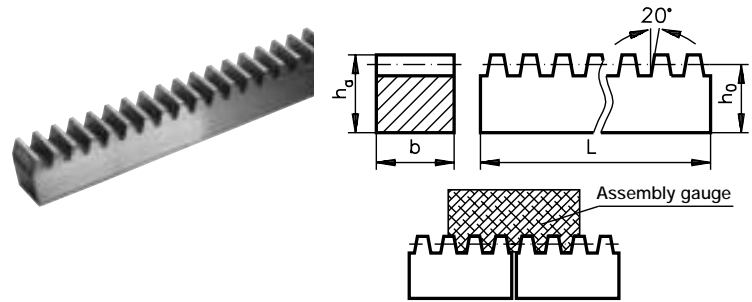
10

Material : Brass M 58

Order Code	Module	b	h _a	h ₀	L	Weight (g)
104 260 601	0.3	2	4	3.7	250	14
104 261 601	0.5	2	4	3.5	250	14
104 262 601	0.7	4	6	5.3	250	42
104 263 600	1.0	7	5	4.0	250	56
104 263 601	1.0	10	8	7.0	230	131
104 263 603	1.0	10	10	8.0	250	184
104 263 605	1.0	10	10	8.0	500	371

RACKS

- Pressure angle 20°
- Quality Grade 8
- Straightened



*Key Steel

**St 37K

Material: Steel

Order Code	Module	b	ha	ho	L Nominal	Finished Length	Weight (kg)
104 221 601	0.5*	4	6	5.5	250	-	0.04
104 222 601	0.7**	5	7	6.3	250	-	0.06
104 223 601	1.0**	7	5	4.0	250	-	0.05

Material: Steel, St 60 kg, Module: 1.0

104 224 603		10	10	9.0	250	-	0.17
104 224 605							
104 224 608		10	10	9.0	1000	-	0.68
104 224 610							
104 224 612		15	15	14.0	1000	-	1.61

Material: Steel, St 60 kg, Module: 1.25

104 226 601		10	10	8.75	250	-	0.16
104 226 603		10	10	8.75	500	-	0.33
104 226 605		10	10	8.75	1000	-	0.66

Material: Steel, St 60 kg, Module: 1.5

104 227 601		10	10	8.5	500	-	0.32
104 227 605		10	10	8.5	1000	-	0.63
104 228 601		15	10	8.5	1000	-	0.95
104 228 603		15	15	13.5	500	-	0.77
104 228 605		15	15	13.5	1000	-	1.54
104 228 607		15	15	13.5	1500	-	2.33

Material: Steel, St 60 kg, Module: 2.0

104 241 601		16	20	18.0	1000	1005.0 - 1	2.22
104 241 603		20	20	18.0	500	-	1.38
104 241 605		20	20	18.0	1000	1005.0 - 1	2.77
104 241 607		20	20	18.0	1500	1501.0 - 1	4.12
104 241 609		20	20	18.0	2000	2004.0 - 1.5	5.50

Material: Steel, St 60 kg, Module: 2.5

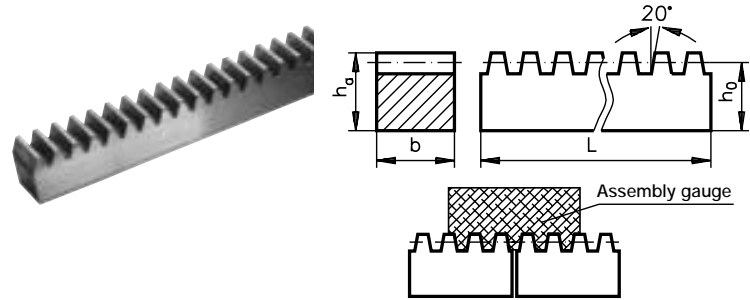
104 242 601		20	25	22.5	1000	1005.0 - 1	3.47
104 242 603		25	25	22.5	500	-	2.17
104 242 605		25	25	22.5	1000	1005.0 - 1	4.31
104 242 607		25	25	22.5	1500	1507.5 - 1	6.46
104 242 609		25	25	22.5	2000	2002.0 - 1	8.61

Material: Steel, St 60 kg, Module: 3.0

104 243 601		25	30	27.0	1000	1008.0 - 1.5	5.24
104 243 603		30	30	27.0	500	-	3.17
104 243 605		30	30	27.0	1000	1008.0 - 1.5	6.27
104 243 607		30	30	27.0	1500	1507.5 - 1.5	9.33
104 243 609		30	30	27.0	2000	2007.0 - 1.5	12.43

RACKS

- Pressure angle 20°
- Quality Grade 8
- Straightened



*Key Steel
**St 37K

Material: Steel, St 60 kg, Module: 4.0

104 244 601	30	40	36.0	1000	1005.0 - 1.5	8.43
104 244 603	40	40	36.0	500	-	5.55
104 244 605	40	40	36.0	1000	1005.0 - 1.5	11.14
104 244 607	40	40	36.0	1500	1507.5 - 1	16.50
104 244 609	40	40	36.0	2000	2010.0 - 1.5	22.50

Material: Steel, St 60 kg, Module: 5.0

104 245 601	40	50	45.0	1000	1005.0 - 1.5	14.00
104 245 603	50	50	45.0	500	-	8.50
104 245 605	50	50	45.0	1000	1005.0 - 1.5	17.50

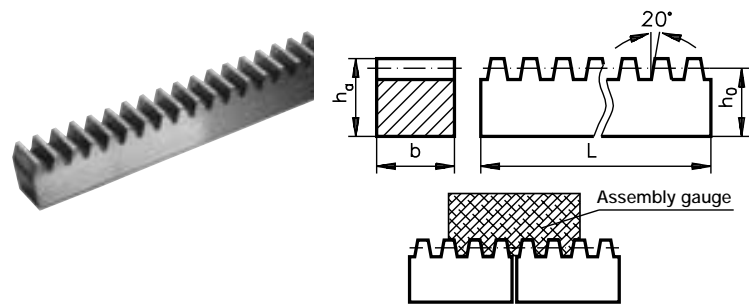
Material: Steel, St 60 kg, Module: 6.0

104 246 601	60	60	54.0	500	-	12.50
104 246 603	60	60	54.0	1000	998.5 - 1.5	25.00

RACKS

10

- Manufactured to DIN 3967 Quality grade 8
- Pressure angle 20°



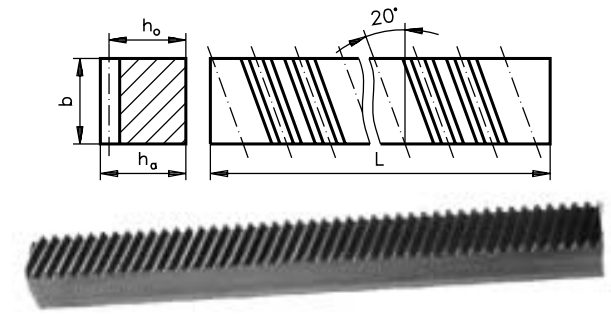
Material : Stainless Steel

Order Code	Module	b	h _a	h _o	L Nominal	Finished Length	Weight (kg)
104 224 993	1.0	10	10	9.0	500.0	-	0.34
104 224 994	1.0	10	10	9.0	1000.0	-	0.68
104 228 993	1.5	15	15	13.5	500.0	-	0.77
104 228 994	1.5	15	15	13.5	1000.0	-	1.55
104 228 995	1.5	15	15	13.5	1500.0	-	2.33
104 241 993	2.0	20	20	18.0	500.0	-	1.38
104 241 994	2.0	20	20	18.0	1000.0	1005.0 - 1	2.77
104 241 995	2.0	20	20	18.0	1500.0	1501.0 - 1	4.12
104 241 996	2.0	20	20	18.0	2000.0	2004.0 - 1.5	5.50
104 243 993	3.0	30	30	27.0	500.0	-	3.17
104 243 994	3.0	30	30	27.0	1000.0	1008.0 - 1.5	6.27
104 243 995	3.0	30	30	27.0	1500.0	1507.5 - 1.5	9.33
104 243 996	3.0	30	30	27.0	2000.0	2007.0 - 1.5	12.43

RACKS

- Spur toothed rack
- Brass or steel
- 20° milled teeth

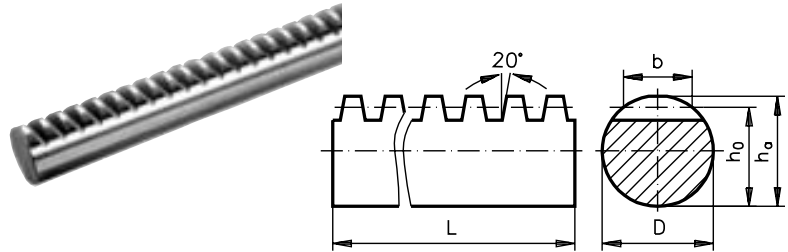
For standard left-handed racks, a right-handed driving pinion is always required.



Order Code		Module	Material	b	ha	h ₀	L	Weight (g)
104 269 601	Rack	0.3	Brass	5	3	2.7	250	29
104 269 605	Rack	0.5	Brass	10	4	3.5	250	70
104 269 606	Rack	0.5	Brass	10	4	3.5	500	139
104 224 655	Rack	1.0	Steel	10	10	9.0	500	344
104 224 658	Rack	1.0	Steel	10	10	9.0	1000	685

RACKS

- Circular section
- Quality grade 8 d 25
(tooth flanks not ground)
- Straightened



Material : Steel - diameter groun h6

Order Code	Module	L	h_o	h_a	b	D	Weight (kg)
104 224 631	1.0	500	9.0	10.0	6.0	10	0.28
104 224 632	1.0	1000	9.0	10.0	6.0	10	0.56
104 228 631	1.5	500	13.5	15.0	9.0	15	0.64
104 228 632	1.5	1000	13.5	15.0	9.0	15	1.28
104 241 631	2.0	500	18.0	20.0	12.0	20	1.14
104 241 632	2.0	500	18.0	20.0	12.0	20	2.28
104 242 631	2.5	500	22.5	25.0	15.0	25	1.78
104 242 632	2.5	1000	22.5	25.0	15.0	25	3.56
104 243 631	3.0	500	27.0	30.0	18.0	30	2.59
104 243 632	3.0	1000	27.0	30.0	18.0	30	5.14
104 244 631	4.0	500	36.0	40.0	24.0	40	4.56
104 244 632	4.0	500	36.0	40.0	24.0	40	9.12
104 245 631	5.0	500	45.0	50.0	30.0	50	7.10
104 245 632	5.0	500	45.0	50.0	30.0	50	14.20

Material : Stainless Steel - diameter drawn h9

Order Code	Module	L	h_o	h_a	b	D	Weight (kg)
104 224 991	1.0	500	9.0	10.0	6.0	10	0.28
104 224 992	1.0	1000	9.0	10.0	6.0	10	0.56
104 228 991	1.5	500	13.5	15.0	9.0	15	0.64
104 228 992	1.5	1000	13.5	15.0	9.0	15	1.28
104 241 991	2.0	500	18.0	20.0	12.0	20	1.14
104 241 992	2.0	1000	18.0	20.0	12.0	20	2.28
104 243 991	3.0	500	27.0	30.0	18.0	30	2.59
104 243 992	3.0	1000	27.0	30.0	18.0	30.0	5.14