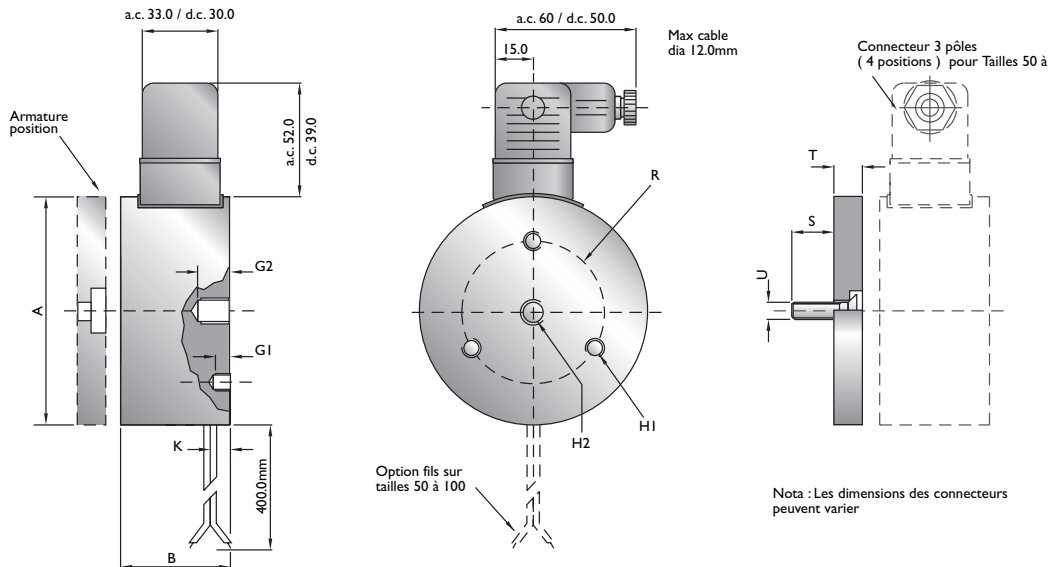


MAGNET TYPE 58



SIZE	AXIAL FORCE N	P20 W	MAGNET WEIGHT kg	ARMATURE WEIGHT kg	A	B	G1	G2	H1	H2	k	R	S	T	U	MAGNET DESIGN NO.		MAGNET+ARM DESIGN NO.	
																LEADS	PLUG+SOCKET	LEADS	PLUG+SOCKET
20	90	3.0	0.05	0.01	20	15.0	-	4.0	-	M4	5	-	7	3	M3	0120	-	0320	-
25	140	3.7	0.07	0.01	25	20.5	4	10.0	M3	M5	6.5	15	7	3	M3	0125	-	0325	-
30	230	3.8	0.20	0.04	30	24.0	5	5.0	M3	M5	7	18	8	5	M4	0130	-	0330	-
40	500	4.6	0.23	0.05	40	27.5	5	10.0	M4	M6	9	26	8	5	M4	0140	-	0340	-
50	750	5.4	0.40	0.10	50	30.5	5	10.0	M4	M6	8.5	34	10	6	M4	0150	0250	0350	0450
65	1400	9.0	0.75	0.20	65	35.5	6	12.0	M5	M8	8.5	40	12	8	M5	0165	0265	0365	0465
80	2200	14.2	1.25	0.40	80	38.5	5	15.0	M6	M8	10.5	50	14	10	M6	0180	0280	0380	0480
100	3500	20.0	2.20	0.75	100	43.5	8	18.0	M6	M10	12.5	75	20	12	M8	0110	0210	0310	0410

TECHNICAL SPECIFICATION	
Voltage	24 Vd.c. or 240 Va.c. (± 10%)
Duty cycle	100% ED
Ambient Temp.	0-65°C
Protection	IP51
Standard Finish	Bright Zinc
Insulation	Class B

- 24 Vd.c. or 230 Va.c. Operating Voltages.
- Axial Forces ranging from 90 to 3500N
- Special Voltages / Forces / Mountings available on request
- High Quality, Cost effective package

GENERAL INFORMATION

- 1) Force is measured with an armature in EN1A (BS230 M07) material with a finish of 0.38µm max. and minimum thickness 'T'.
- 2) All magnets can be supplied with mounting flanges to suit any particular mounting requirements.
- 3) Pole faces can be supplied electro-plated, however this will result in approx 10% reduction in Axial force.
- 4) All magnets can be supplied with flying leads, and the size 50 and above can be fitted with a 3-pole plug and free socket.

SIZE NO. DESIGN NO. VOLTAGE SUPPLY

58 ELECTROMAGNET - 0350 - 24 - D.C.