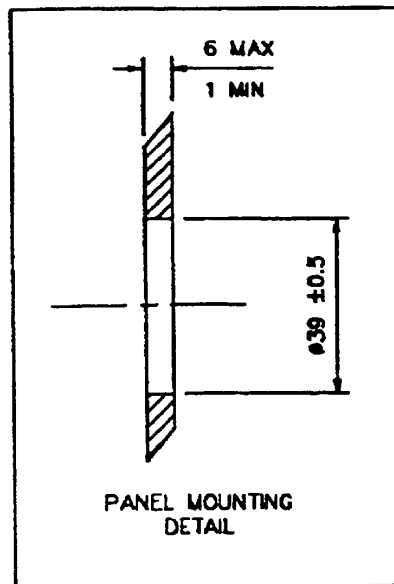
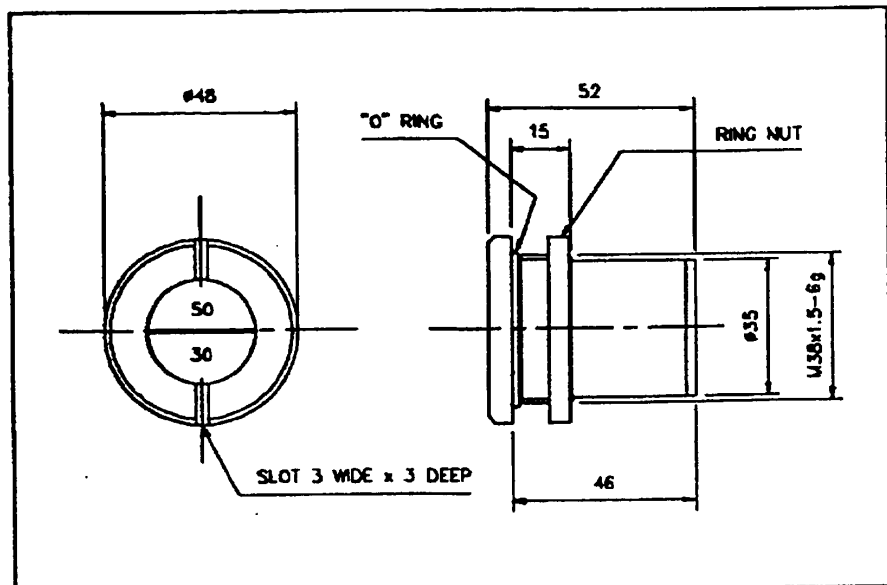




**PANEL MOUNTING INDICATING DESICCATOR
SILICA GEL**



DESCRIPTION

A range of Panel Mounting Desiccators for protection against corrosion, dampness and contamination in electronic, telecommunications and computer equipment.

APPLICATIONS

Ideally suited to prevent damage or malfunction in equipments subject to humidity and temperature variations. A powerful adsorbing agent reduces and adsorbs ingressed or inbuilt moisture to acceptable levels. A humidity indicator monitors saturation and indicates when reactivation is required.

PART NUMBER

BL/D6342/05

MATERIAL

Plastic (Polycarbonate).

COLOUR

Black

OPERATING TEMPERATURE

Maximum 70°C

Minimum -40°C

Reactivation only 120°C

ENVIRONMENTAL PROTECTION

Resistant to Alcohols, Ethers, Hydrocarbons, weak acids and bases.

DESICCANT CONTENT

10 grammes Nominal



APPLICATION VOLUME (Typical)

Example 1

Enclosure specification IP67

10 Litres approximate life 6 to 9 months.

Example 2

Enclosure specification IP55

10 Litres approximate life 3 to 6 months.

REACTIVATION

4 hours in a ventilated oven at 120°C.

Caution! allow to cool in a sealed container.

MAXIMUM PRESSURE

1 bar gauge

MAXIMUM VACUUM

500 Torr (-5 PSI)

MAXIMUM LEAK RATE

1×10^{-2} cc/sec

HUMIDITY INDICATING LEVEL

30% RH @ 20°C.

50% RH @ 20°C.

TIGHTENING TOURQUE

2Nm

PACKAGING

Metal foil laminate with sachet protection for a minimum 2 year shelf life.

Designed and manufactured by:-

BROWNELL Ltd
HELENA WORKS
MORDAUNT ROAD
LONDON NW10 8PX
Tel 081-965 9281
Fax 081-965 3239

Issue 1 9/4/93