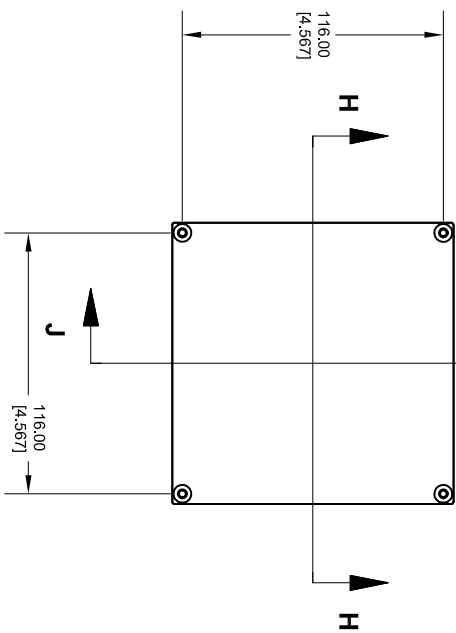
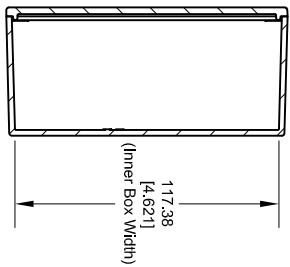


Top View of Assembly

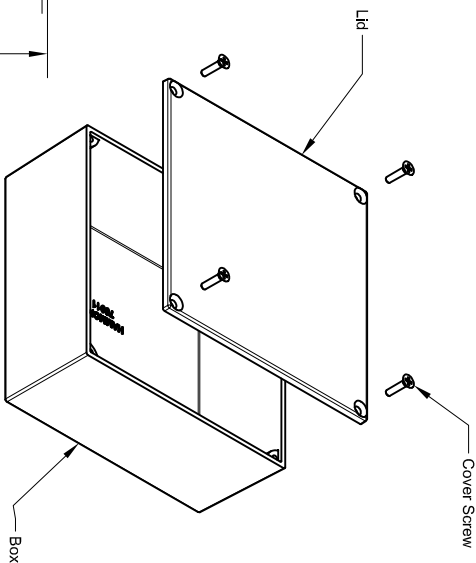
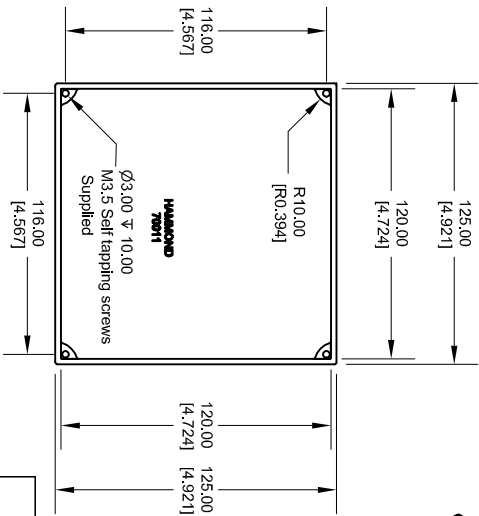
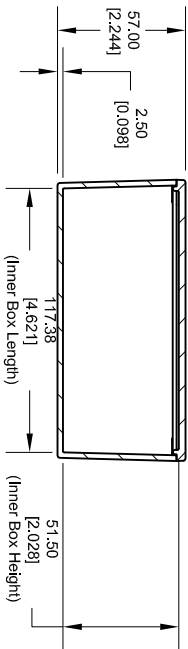


End View of Assembly

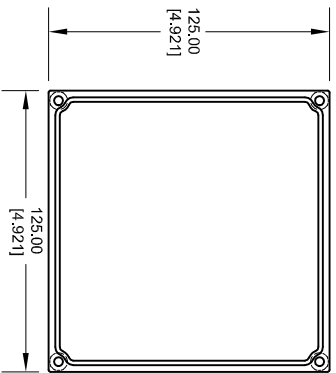


Eddystone - 70011

Side View of Assembly SECTION H-H



Lid



PART DESCRIPTION	
Part Number:	70011 enclosure
Material:	LM2 or LM4 Diecast Aluminum Alloy
Screw Type:	M8.5 x 6 tapping screws (includes 4) (Screws accept FOZDRV/Nb.2 screwdriver)

**HAMMOND
MANUFACTURING**